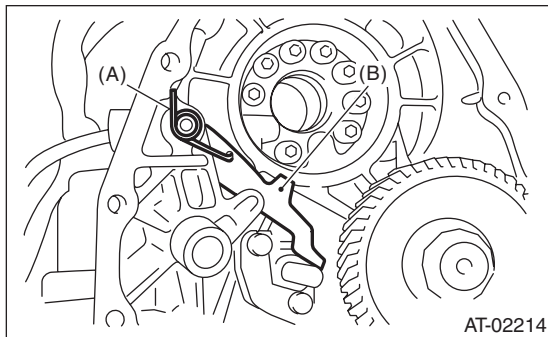


30. Parking Pawl

A: REMOVAL

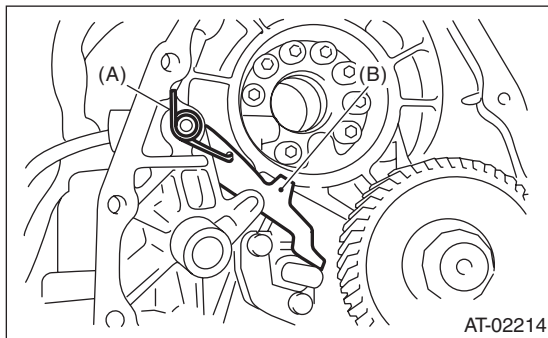
- 1) Remove the transmission assembly from vehicle body. <Ref. to 4AT-35, REMOVAL, Automatic Transmission Assembly.>
- 2) Remove the rear wheel speed sensor, and separate the extension case from transmission case. <Ref. to 4AT-69, REMOVAL, Extension Case.>
- 3) Remove the reduction drive gear. <Ref. to 4AT-78, REMOVAL, Reduction Drive Gear.>
- 4) Remove the parking pawl, return spring and shaft.



- (A) Return spring
- (B) Parking pawl

B: INSTALLATION

- 1) Install the parking pawl, return spring and shaft.



- (A) Return spring
- (B) Parking pawl

- 2) Install the reduction drive gear. <Ref. to 4AT-78, INSTALLATION, Reduction Drive Gear.>
- 3) Install the rear vehicle speed sensor and extension case. <Ref. to 4AT-69, INSTALLATION, Extension Case.>
- 4) Install the transmission assembly to the vehicle. <Ref. to 4AT-38, INSTALLATION, Automatic Transmission Assembly.>

C: INSPECTION

Check the tab of the parking pole on the reduction gear for wear or other damage.