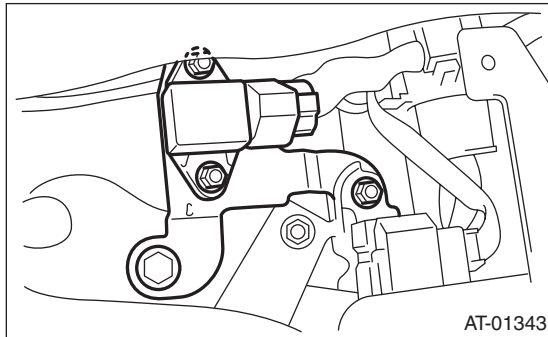


20.Lateral G Sensor

A: REMOVAL

- 1) Remove the console box. <Ref. to EI-52, REMOVAL, Console Box.>
- 2) Disconnect the connector from the lateral G sensor.



- 3) Remove the lateral G sensor.

B: INSTALLATION

Install in the reverse order of removal.

Tightening torque:

T1: 7.5 N·m (0.76 kgf-m, 5.5 ft-lb)

T2: 24.5 N·m (2.5 kgf-m, 18.1 ft-lb)

