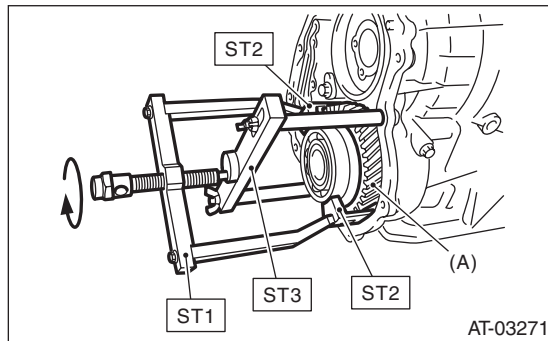


## 29.Reduction Driven Gear

### A: REMOVAL

- 1) Remove the transmission assembly from vehicle body. <Ref. to 5AT-34, REMOVAL, Automatic Transmission Assembly.>
- 2) Remove the rear wheel speed sensor, and separate the extension case from transmission case. <Ref. to 5AT-65, REMOVAL, Extension Case.>
- 3) Remove the center differential carrier. <Ref. to 5AT-74, REMOVAL, Center Differential Carrier.>
- 4) Set the range select lever to the "P" range.
- 5) Using ST1, ST2 and ST3, pull out the reduction driven gear.

ST1 499737100 PULLER SET  
 ST2 18680AA010 GEAR HOLDER  
 ST3 18766AA000 SUPPORT PULLER



(A) Reduction driven gear

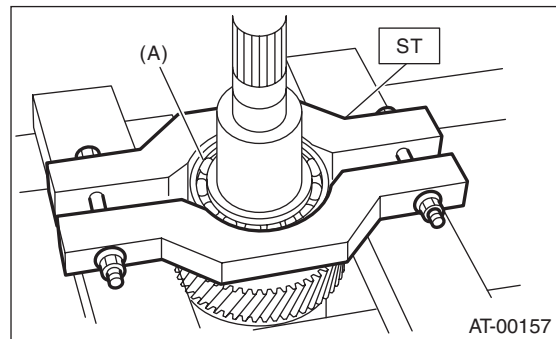
### B: INSTALLATION

- 1) Set the range select lever to the "P" range.
- 2) Use a plastic hammer to install reduction driven gear assembly.
- 3) Select the reduction gear shims. <Ref. to 5AT-72, ADJUSTMENT, Reduction Driven Gear.>
- 4) Join the transmission case and the extension case, and then install the rear vehicle speed sensor. <Ref. to 5AT-65, INSTALLATION, Extension Case.>
- 5) Install the transmission assembly to the vehicle. <Ref. to 5AT-37, INSTALLATION, Automatic Transmission Assembly.>

### C: DISASSEMBLY

- 1) Remove the ball bearing from reduction driven gear using ST.

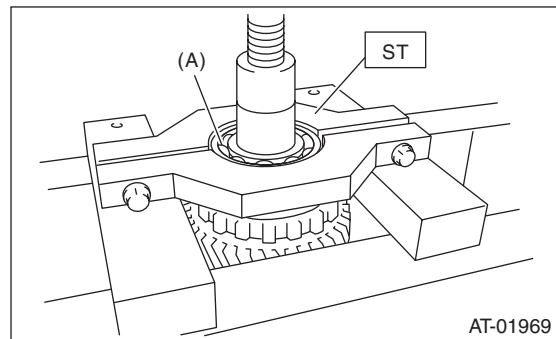
ST 498077300 REMOVER



(A) Ball bearing

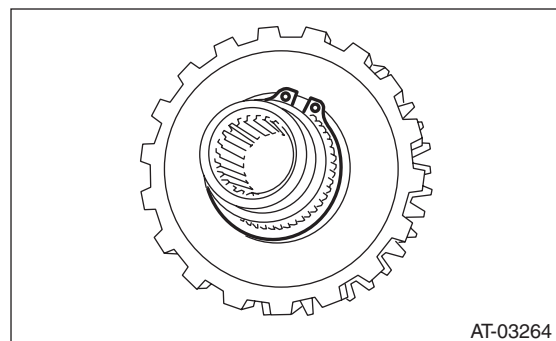
- 2) Remove the ball bearing on the reverse side with the same procedure as step 1).

ST 498077300 REMOVER



(A) Ball bearing

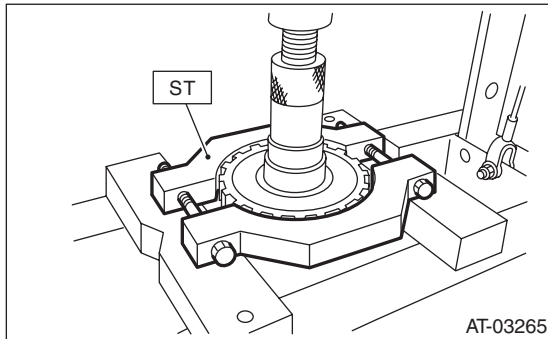
- 3) Remove the snap ring of the parking gear.



# Reduction Driven Gear

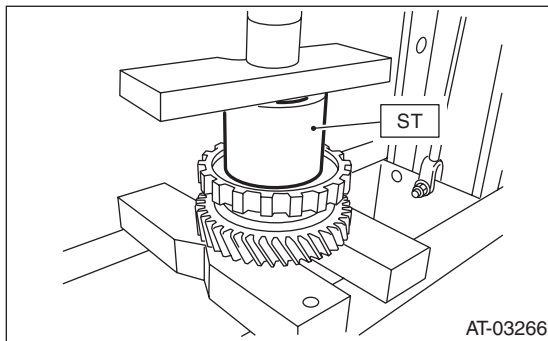
## AUTOMATIC TRANSMISSION

- 4) Using the ST, remove the parking gear.  
ST 18767AA000 REMOVER

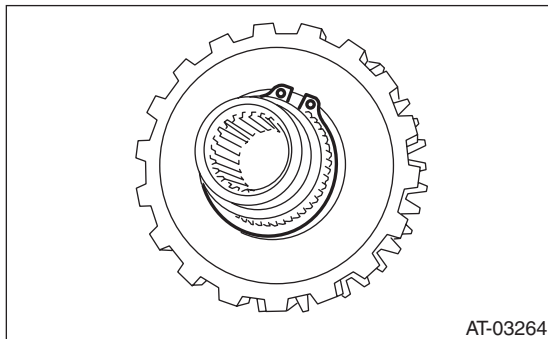


### D: ASSEMBLY

- 1) Using the ST, install the parking gear.  
ST 499755602 PRESS

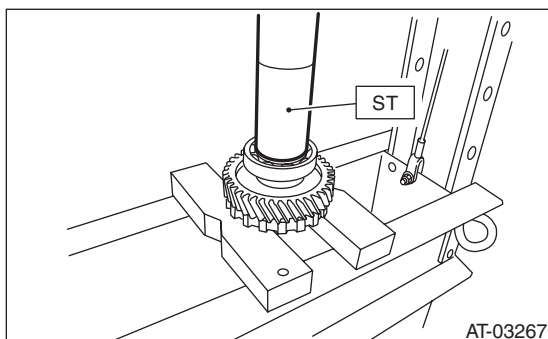


- 2) Install the snap ring.



- 3) Install the new ball bearing to reduction driven gear using press.

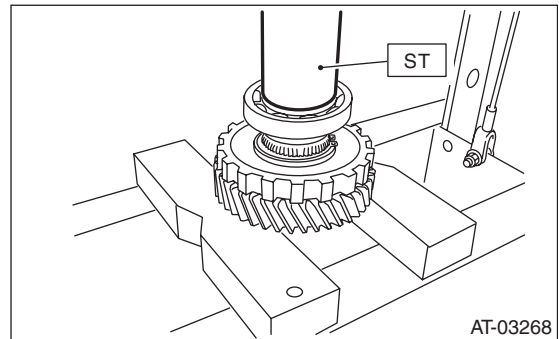
ST 18654AA000 INSTALLER



(A) Ball bearing 1

- 4) Install the ball bearing on the reverse side with the same procedure as step 3).

ST 18654AA000 INSTALLER



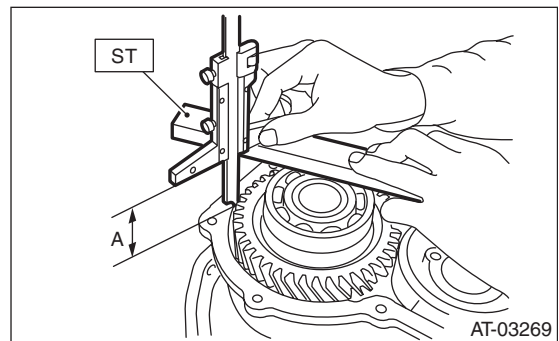
### E: INSPECTION

Make sure the ball bearing and gear is not deformed or damaged.

### F: ADJUSTMENT

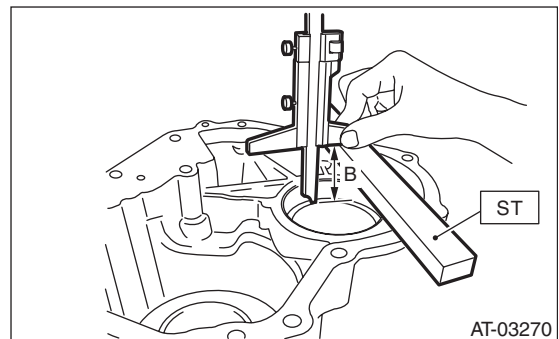
- 1) Using the ST, measure the height "A" from the AT main case mating surface to ball bearing outer ring contact surface.

ST 499575400 GAUGE



- 2) Using the ST, measure the depth "B", which is from mating surface of extension case to ball bearing outer ring contact surface.

ST 499575400 GAUGE



3) Calculation formula:

Select the ball bearing shim from the table to adjust clearances within 0.05 — 0.25 mm (0.0020 — 0.0098 in).

When clearances are 0.05 mm (0.0020 in):

$$T \text{ (mm)} = B - A + 0.23$$

$$[T \text{ (in)} = B - A + 0.0091]$$

When clearances are 0.25 mm (0.0098 in):

$$T \text{ (mm)} = B - A + 0.03$$

$$[T \text{ (in)} = B - A + 0.0011]$$

T: Shim clearance

A: Height from the mating surface of the AT main case to the ball bearing outer ring end surface

B: Depth from mating surface of extension case to ball bearing outer ring contact surface

Reduction gear shim	
Part number	Thickness mm (in)
31288AA030	0.2 (0.008)
31288AA050	0.5 (0.020)
31288AA060	0.3 (0.012)