

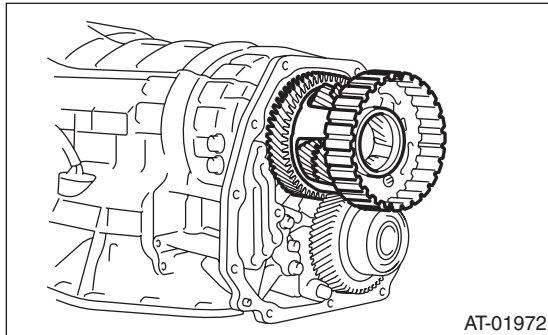
Center Differential Carrier

AUTOMATIC TRANSMISSION

30.Center Differential Carrier

A: REMOVAL

- 1) Remove the transmission assembly from vehicle body. <Ref. to 5AT-34, REMOVAL, Automatic Transmission Assembly.>
- 2) Remove the rear wheel speed sensor, and separate the extension case from transmission case. <Ref. to 5AT-65, REMOVAL, Extension Case.>
- 3) Extract the rear drive shaft. <Ref. to 5AT-70, REMOVAL, Rear Drive Shaft.>
- 4) Pull out the center differential carrier assembly.



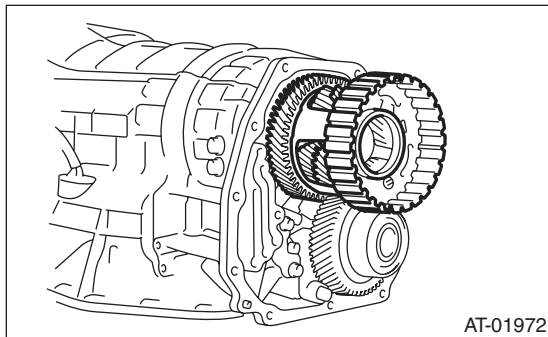
- 5) Pull out the shim(s) from transmission case.

B: INSTALLATION

- 1) Install the center differential assembly with the shim(s).

NOTE:

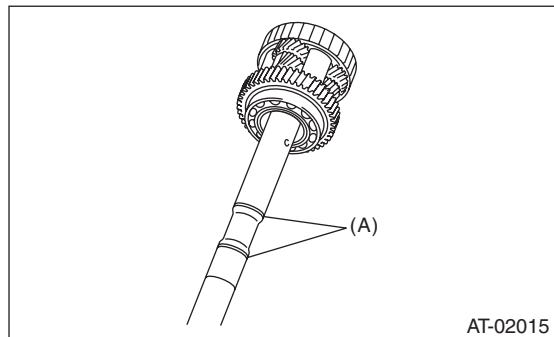
Press-fit it to the bottom of bearing shoulder completely.



- 2) Insert the rear driveshaft assembly. <Ref. to 5AT-70, INSTALLATION, Rear Drive Shaft.>
- 3) Join the transmission case and the extension case, and then install the rear vehicle speed sensor. <Ref. to 5AT-65, REMOVAL, Extension Case.>
- 4) Install the transmission assembly to the vehicle. <Ref. to 5AT-37, INSTALLATION, Automatic Transmission Assembly.>

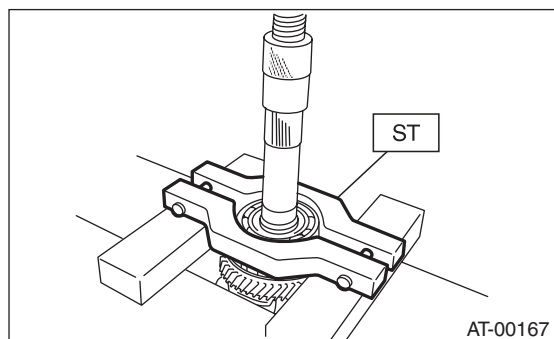
C: DISASSEMBLY

- 1) Remove the seal ring.

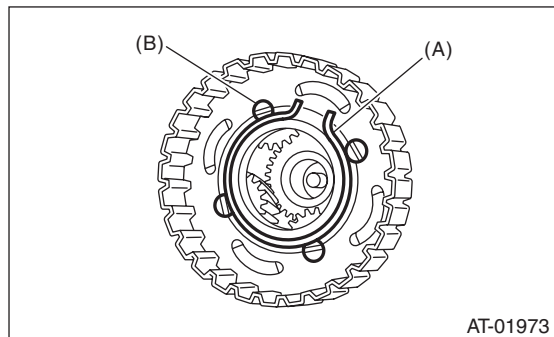


(A) Seal ring

- 2) Using a press and ST, remove the ball bearing.
ST 498077600 REMOVER

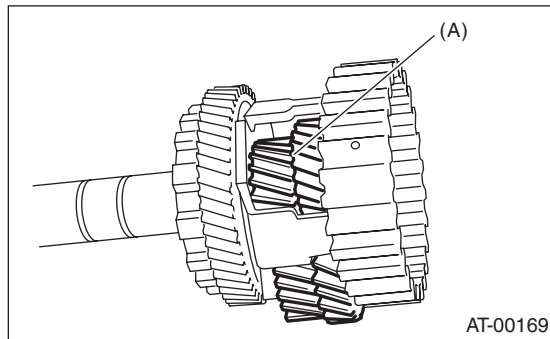


- 3) Remove the snap ring, and pull out the shaft from center differential assembly.



(A) Snap ring
(B) Shaft

- 4) Remove the thrust washers, pinion gears and washers from center differential assembly.



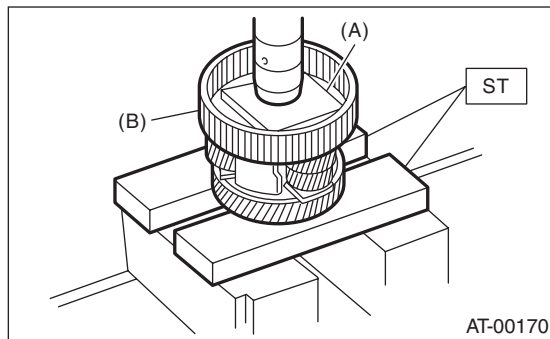
(A) Pinion gear

- 5) Pull out the intermediate shaft and thrust bearing.

D: ASSEMBLY

- 1) Install the thrust washer onto intermediate shaft.
- 2) Install the thrust bearing onto intermediate shaft.
- 3) Install the pinion gears and washers.
- 4) Insert the shaft into the center differential assembly.
- 5) Install the snap ring.
- 6) Using a press, install a new ball bearing into the center differential assembly.

ST 498077000 REMOVER



(A) Plate
(B) Center differential carrier

- 7) Apply vaseline onto the seal ring outer surface and shaft grooves.
- 8) Install a new seal ring.

E: INSPECTION

- Check each parts for holes, damages or other foreign matters.
- Inspect the extension end play, and adjust it to within the standard value. <Ref. to 5AT-67, ADJUSTMENT, Transfer Clutch.>