

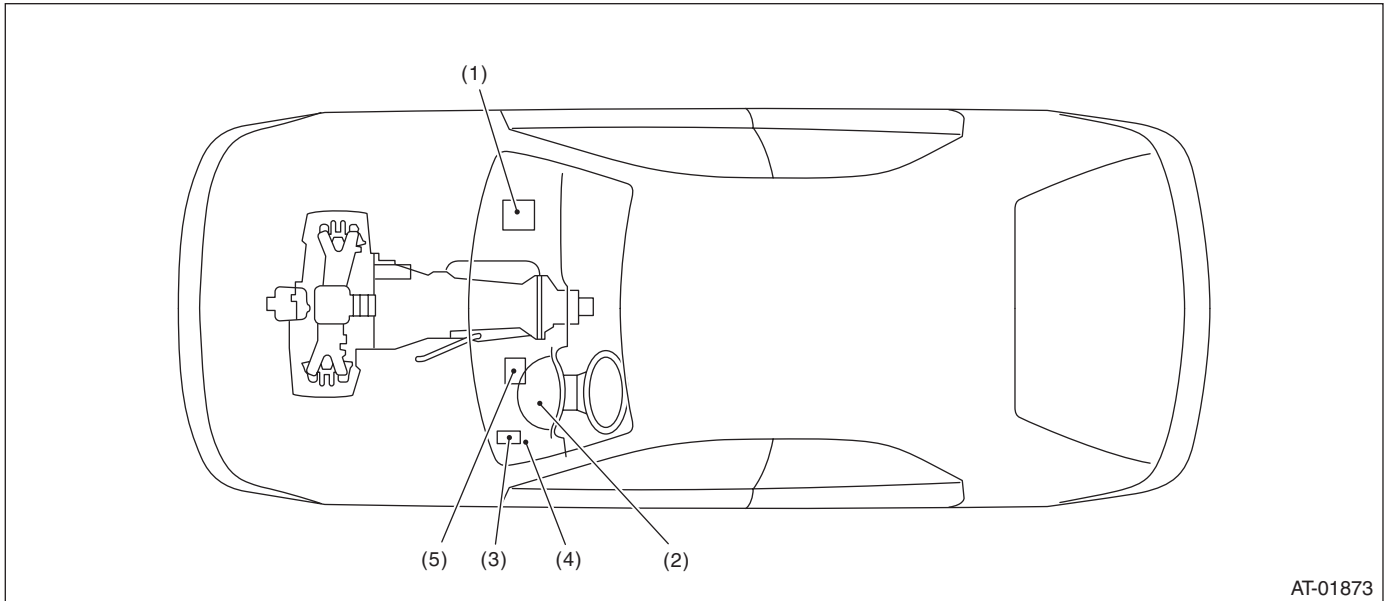
# Electrical Component Location

AUTOMATIC TRANSMISSION (DIAGNOSTICS)

## 4. Electrical Component Location

### A: LOCATION

#### 1. CONTROL MODULE

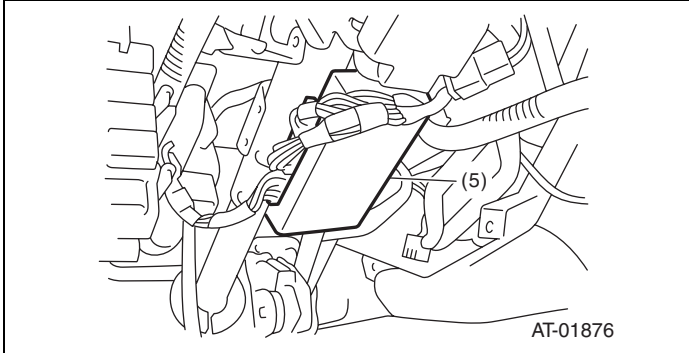
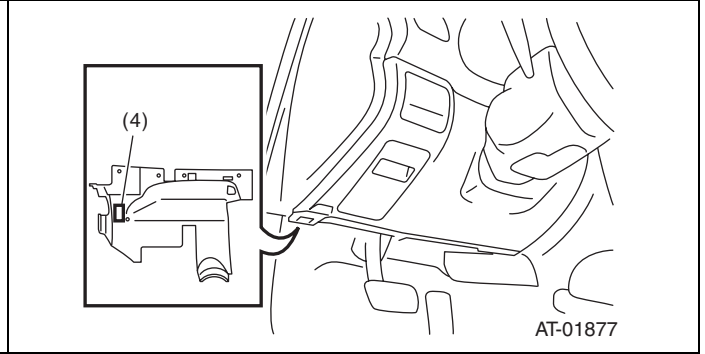
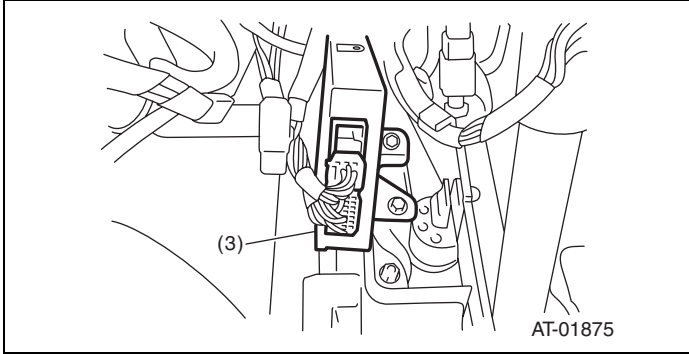
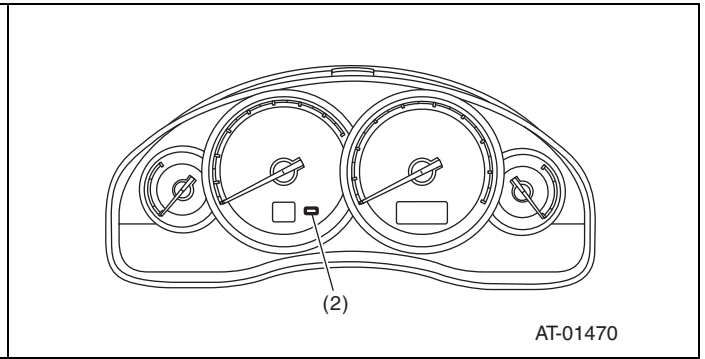
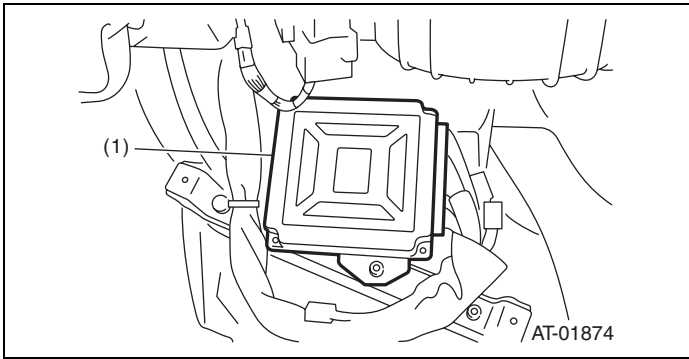


AT-01873

- |  |                                       |                          |
|--|---------------------------------------|--------------------------|
| (1) Engine control module (ECM)              | (3) Transmission control module (TCM) | (4) Data link connector  |
| (2) SPORT indicator light (AT warning light) |                                       | (5) Body integrated unit |

# Electrical Component Location

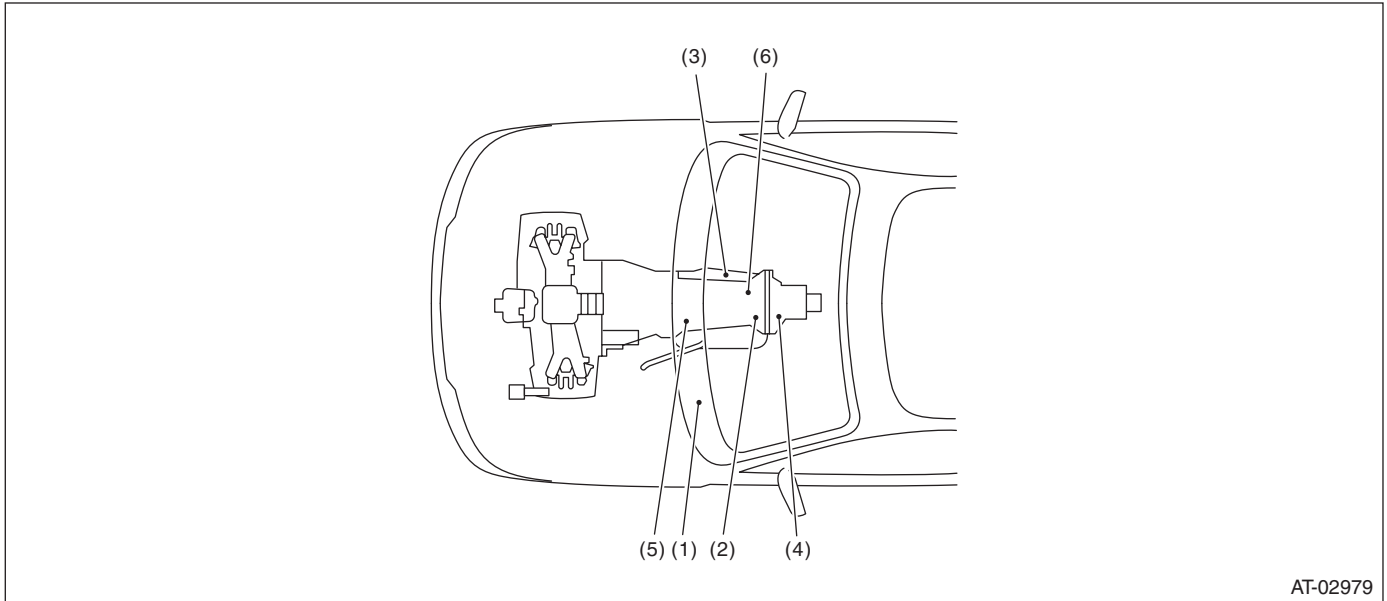
## AUTOMATIC TRANSMISSION (DIAGNOSTICS)



# Electrical Component Location

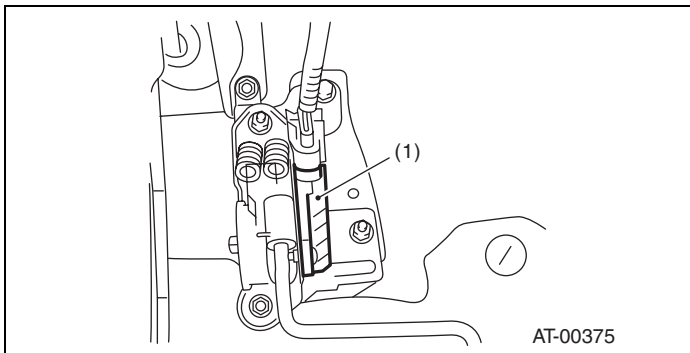
AUTOMATIC TRANSMISSION (DIAGNOSTICS)

## 2. SENSOR

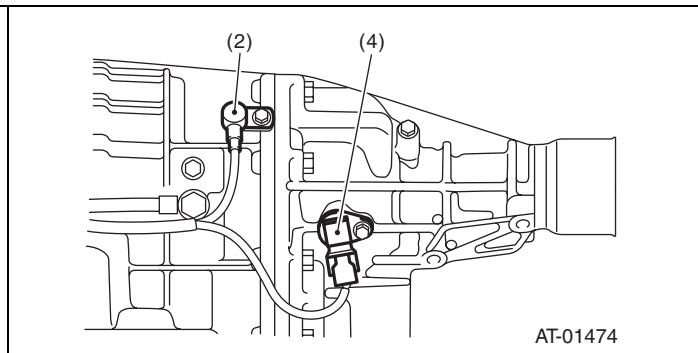


AT-02979

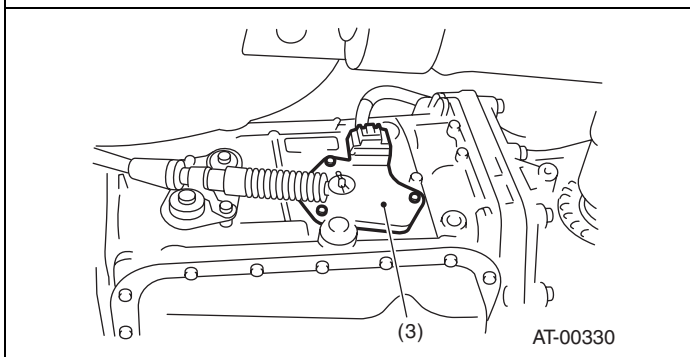
- |                                |   |                            |
|--------------------------------|---|----------------------------|
| (1) Throttle position sensor   | (4) Rear vehicle speed sensor             | (6) ATF temperature sensor |
| (2) Front vehicle speed sensor | (5) Torque converter turbine speed sensor |                            |
| (3) Inhibitor switch           |   |                            |



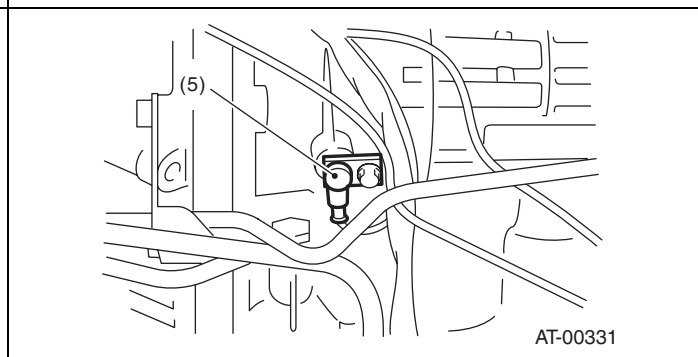
AT-00375



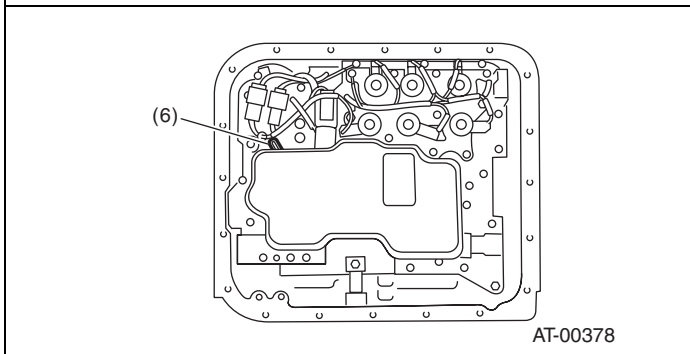
AT-01474



AT-00330



AT-00331



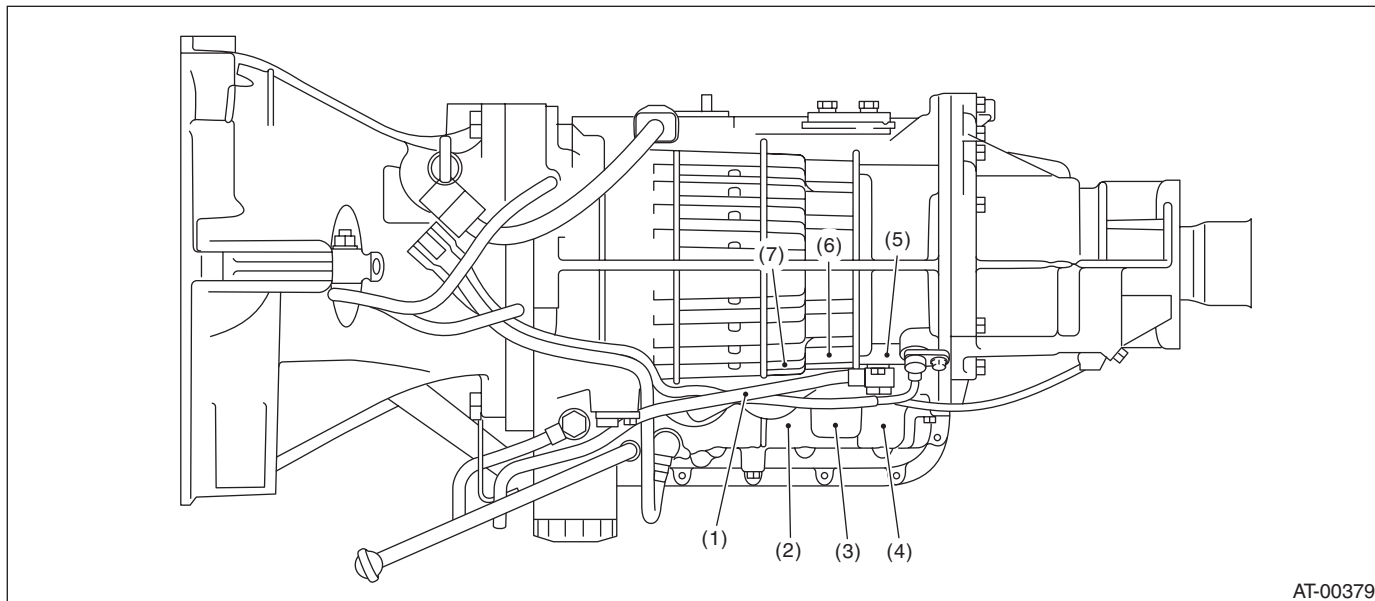
AT-00378

**SUBARU.**

# Electrical Component Location

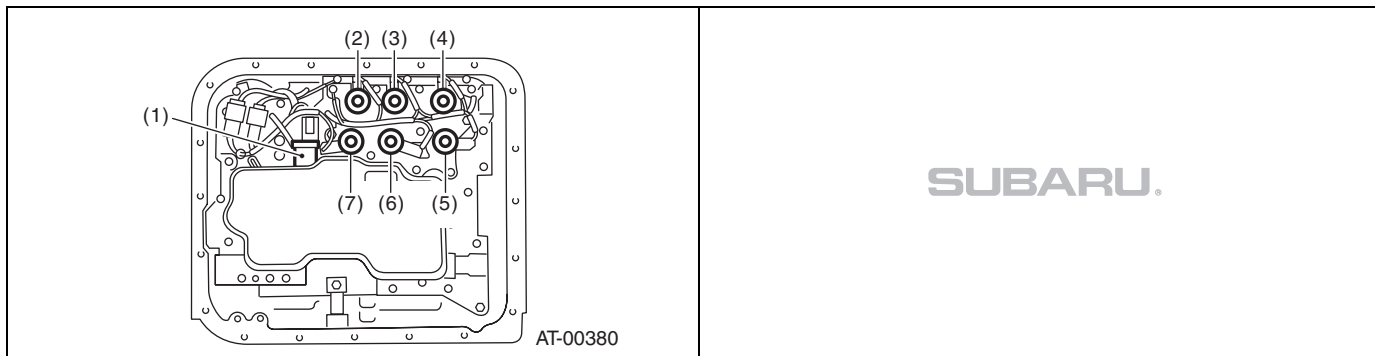
## AUTOMATIC TRANSMISSION (DIAGNOSTICS)

### 3. SOLENOID



AT-00379

- |                                   |                                 |                            |
|-----------------------------------|---------------------------------|----------------------------|
| (1) Line pressure linear solenoid | (4) Low & reverse duty solenoid | (6) Transfer duty solenoid |
| (2) High clutch duty solenoid     | (5) Low clutch duty solenoid    | (7) Lock-up duty solenoid  |
| (3) 2-4 brake duty solenoid       |                                 |                            |



AT-00380

SUBARU.