

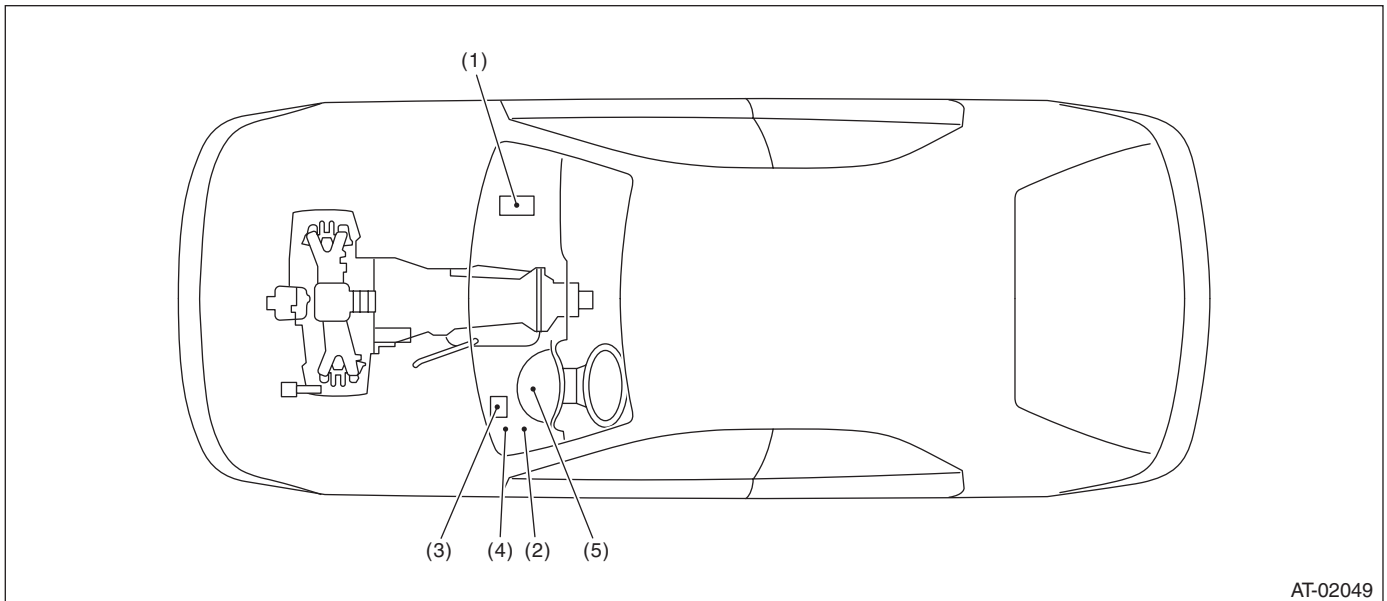
# Electrical Component Location

AUTOMATIC TRANSMISSION (DIAGNOSTICS)

## 4. Electrical Component Location

### A: LOCATION

#### 1. CONTROL MODULE



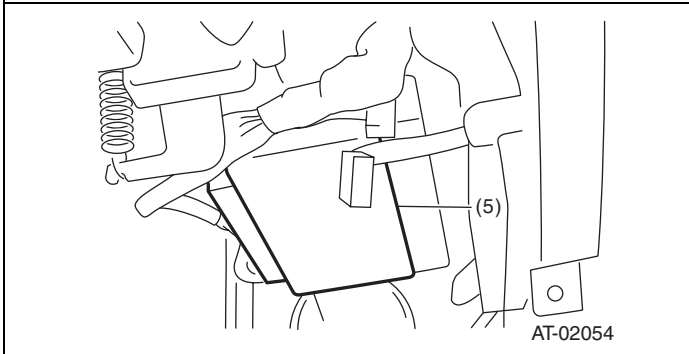
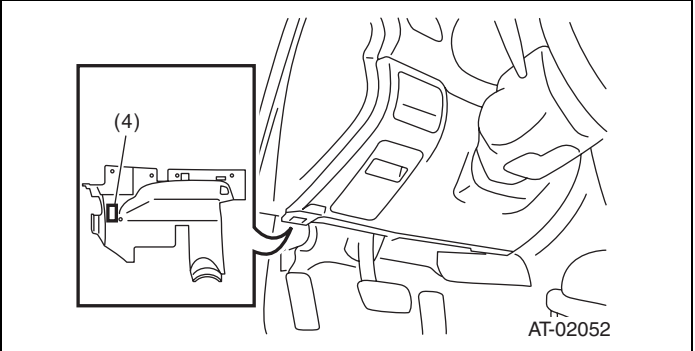
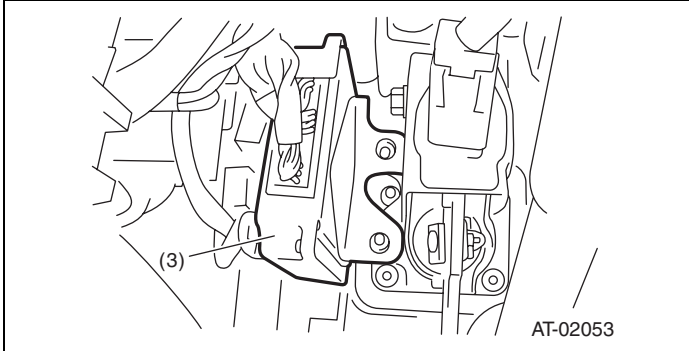
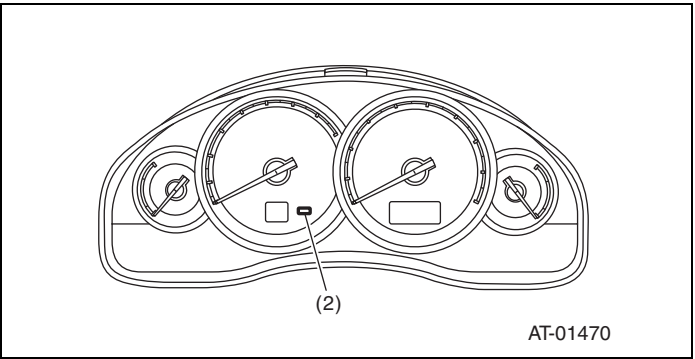
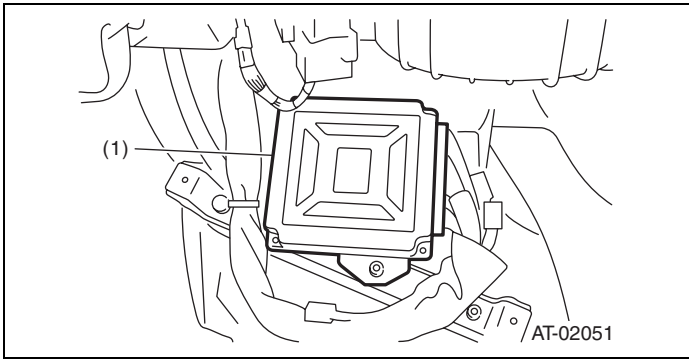
(1) Engine control module (ECM)  
(2) SPORT indicator light (AT warning light)

(3) Transmission control module (TCM)

(4) Data link connector  
(5) Body Integrated unit

# Electrical Component Location

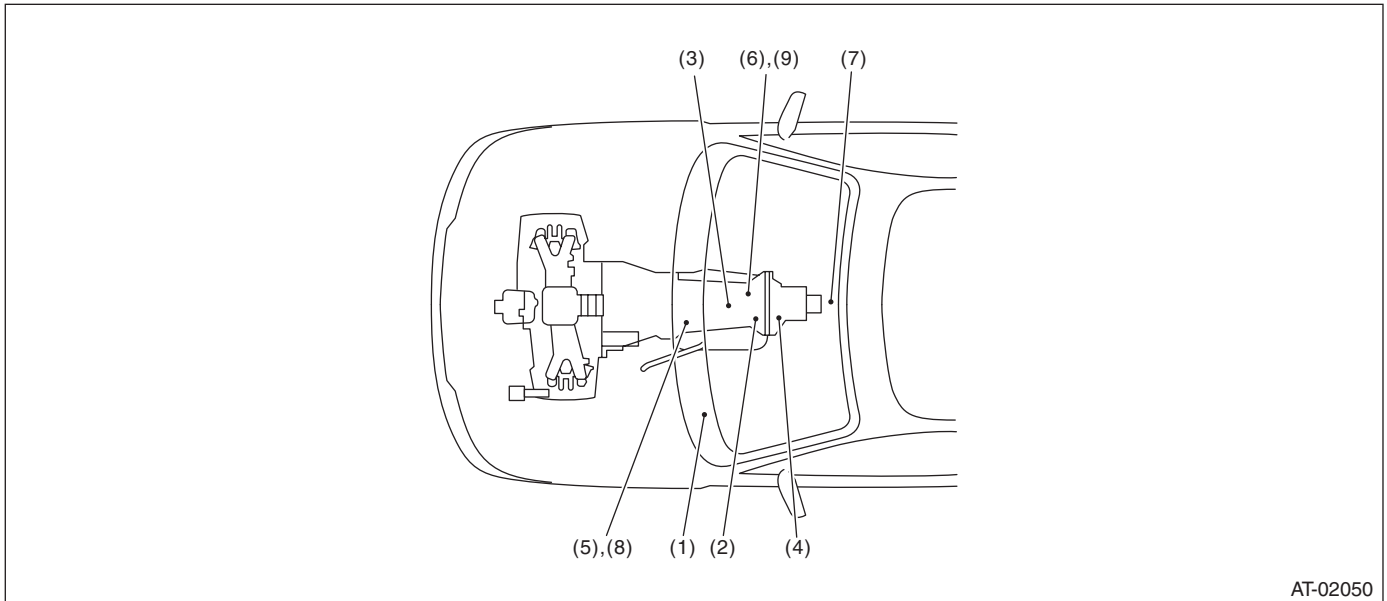
## AUTOMATIC TRANSMISSION (DIAGNOSTICS)



# Electrical Component Location

AUTOMATIC TRANSMISSION (DIAGNOSTICS)

## 2. SENSOR



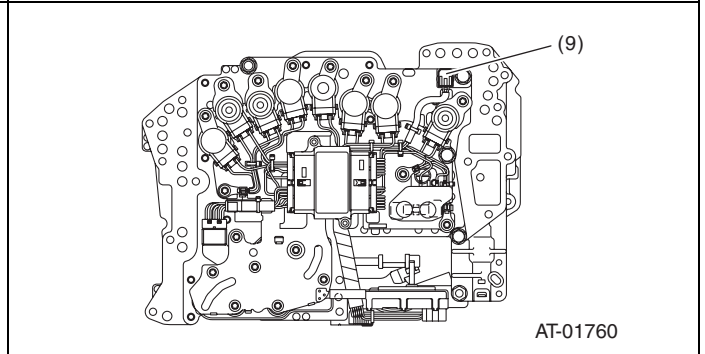
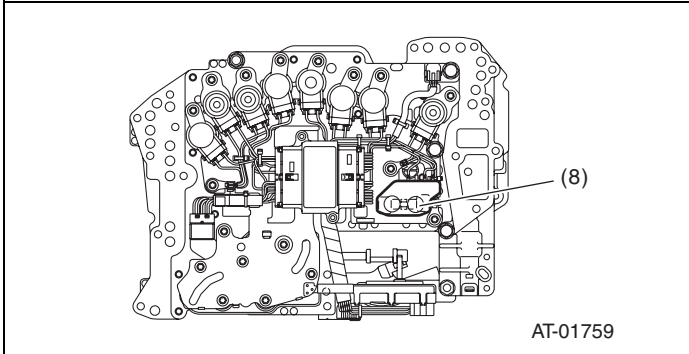
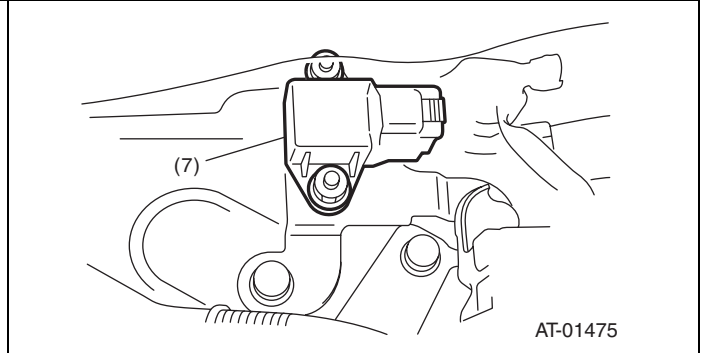
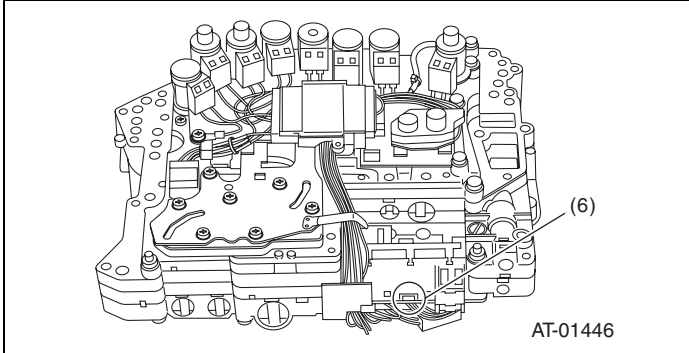
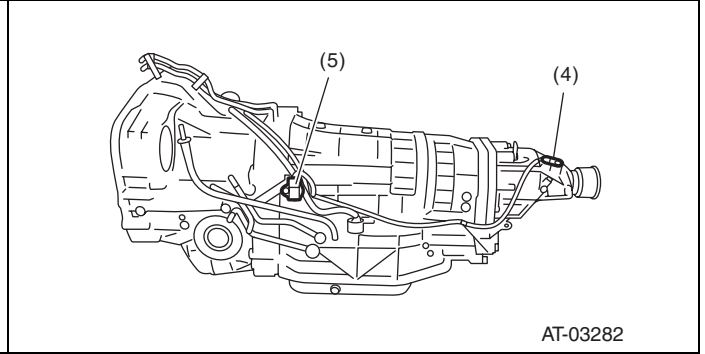
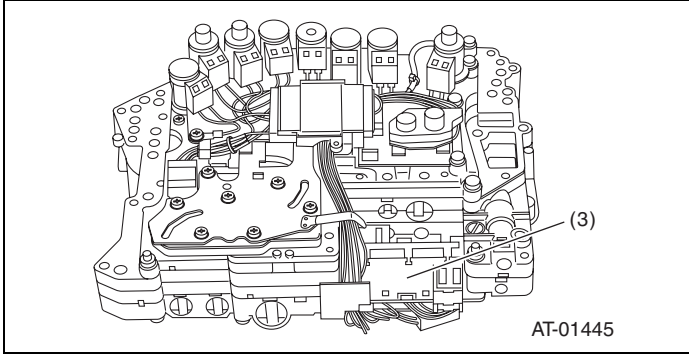
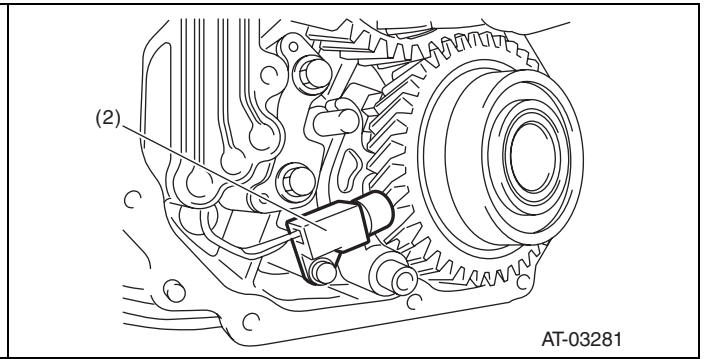
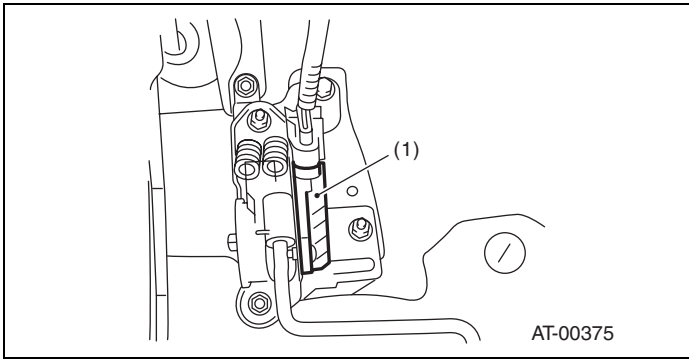
- (1) Accelerator pedal position sensor
- (2) Front vehicle speed sensor
- (3) Inhibitor switch

- (4) Rear vehicle speed sensor
- (5) Turbine speed sensor 1
- (6) ATF temperature sensor 1

- (7) Lateral G sensor
- (8) Turbine speed sensor 2
- (9) ATF temperature sensor 2

# Electrical Component Location

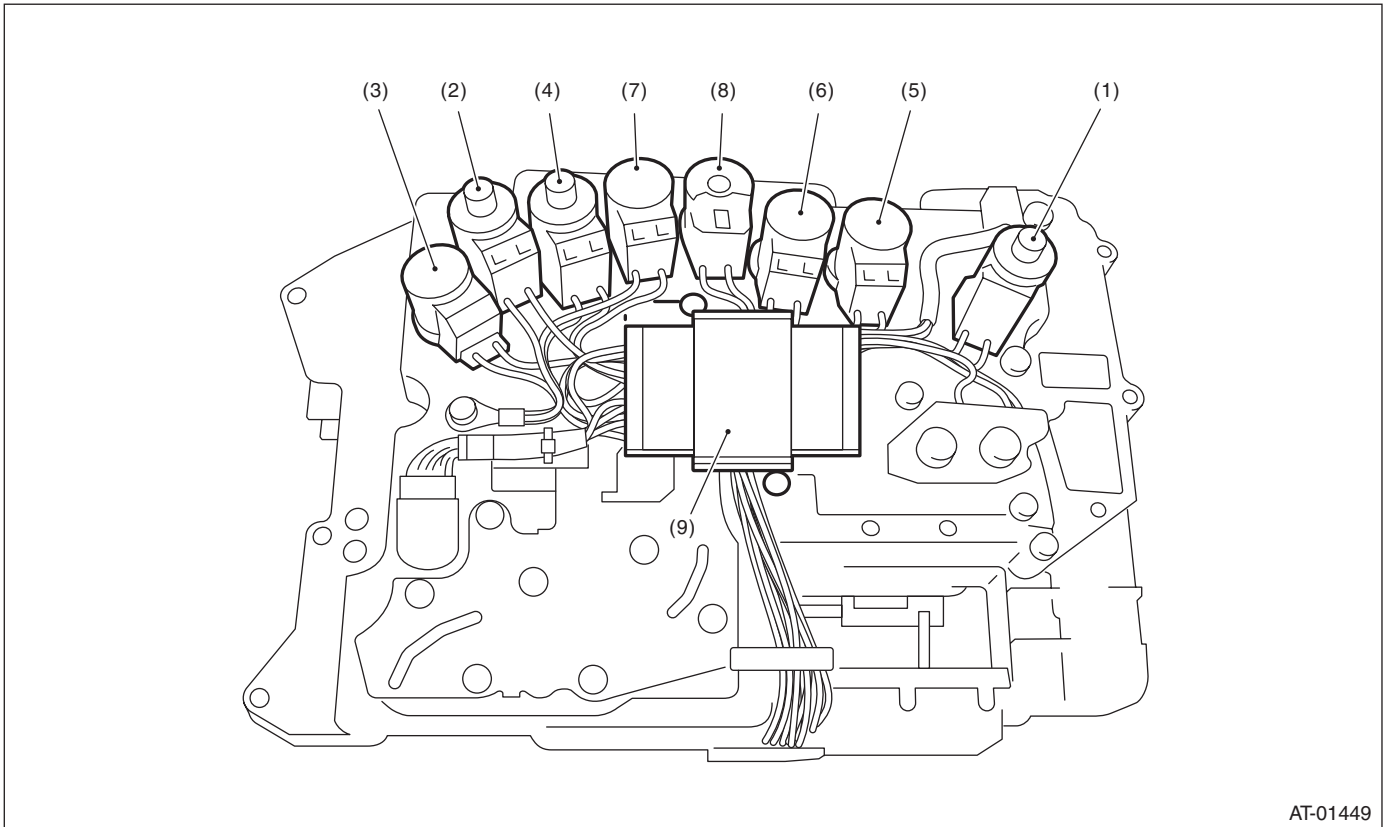
## AUTOMATIC TRANSMISSION (DIAGNOSTICS)



# Electrical Component Location

AUTOMATIC TRANSMISSION (DIAGNOSTICS)

## 3. SOLENOID



AT-01449

- |  |                            |                              |
|--|----------------------------|------------------------------|
| (1) High & low reverse clutch solenoid | (4) Input clutch solenoid  | (7) Transfer solenoid        |
| (2) Direct clutch solenoid             | (5) Line pressure solenoid | (8) Low coast brake solenoid |
| (3) Front brake solenoid               | (6) Lock-up solenoid       | (9) Memory box               |