

## 8. Preparation for Overhaul

### A: PROCEDURE

- 1) Clean oil, grease, dirt and dust from the transmission.
- 2) Drain the oil by removing drain plug. Tighten the drain plug after draining.

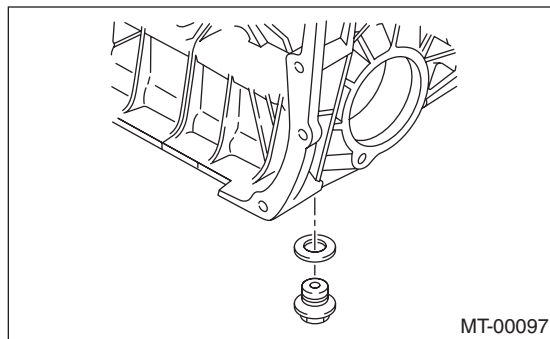
**NOTE:**

Use a new gasket.

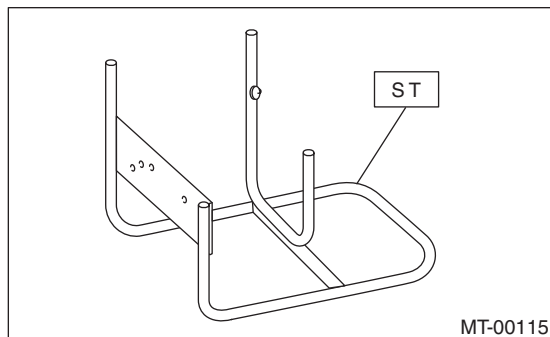
**Tightening torque:**

**44 N·m (4.5 kgf·m, 33 ft·lb) (Aluminum gasket)**

**70 N·m (7.1 kgf·m, 51 ft·lb) (Copper gasket)**



- 3) Attach the transmission to ST.  
ST 499937100 TRANSMISSION STAND



- 4) Apply oil to rotating parts before assembly.
- 5) All disassembled parts, if to be reused, should be reinstalled in the original positions and directions.
- 6) Gaskets, lock washers and lock nuts must be replaced with new parts.
- 7) Apply liquid gasket to the specified areas to prevent leakage.