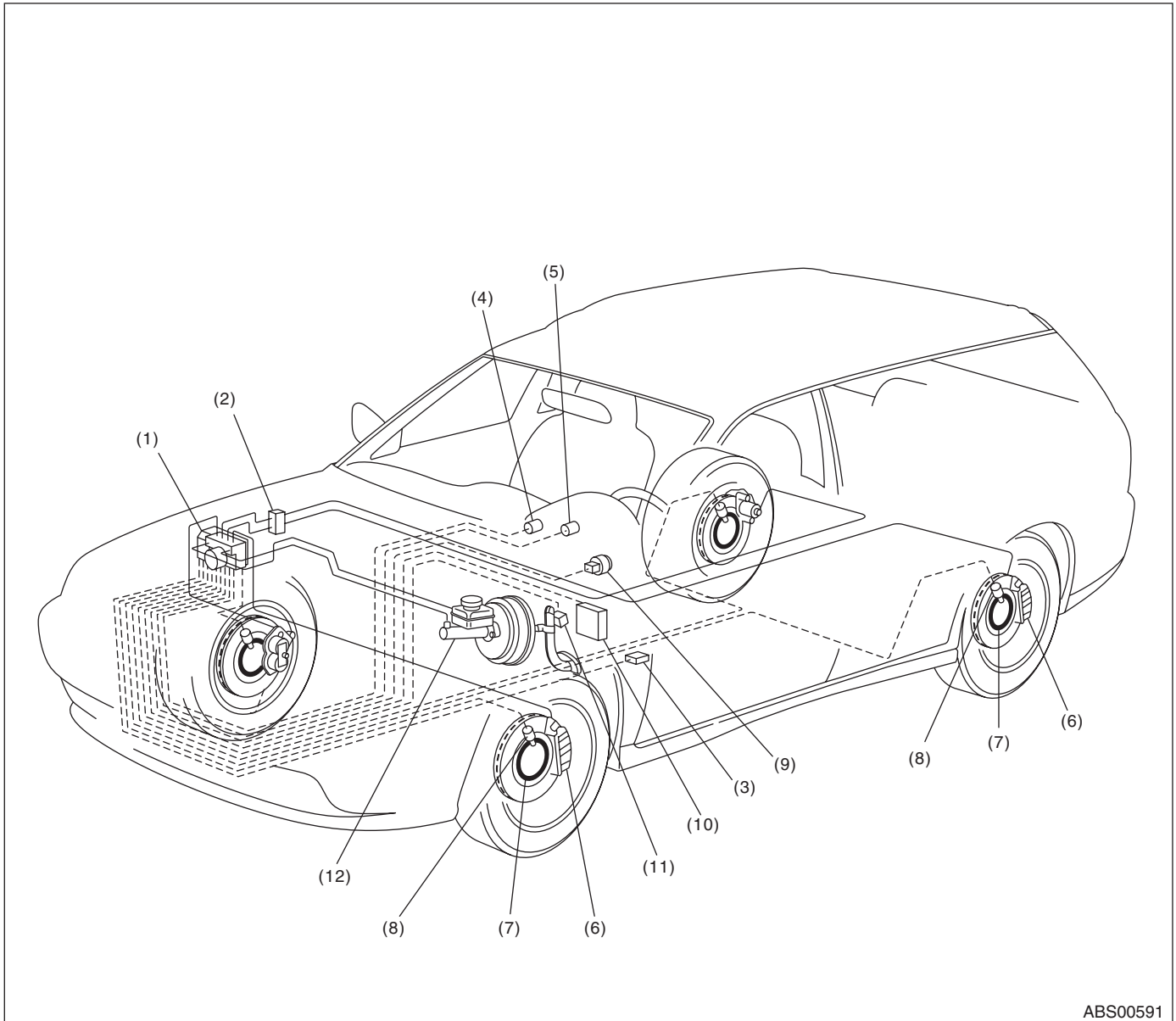


# Electrical Component Location

ABS (DIAGNOSTICS)

## 4. Electrical Component Location

### A: LOCATION



ABS00591

- |   |                                 |   |
|---|---------------------------------|---|
| (1) ABS control module and hydraulic control unit (ABSCM&H/U) | (4) ABS warning light           | (9) G sensor                                      |
| (2) Two-way connector   | (5) Brake and EBD warning light | (10) Transmission control module (TCM) (AT model) |
| (3) Data link connector (For Subaru Select Monitor)           | (6) Caliper body                | (11) Stop light switch                            |
|   | (7) Magnetic encoder seal       | (12) Master cylinder                              |
|   | (8) ABS wheel speed sensor      |   |

# Electrical Component Location

ABS (DIAGNOSTICS)

