

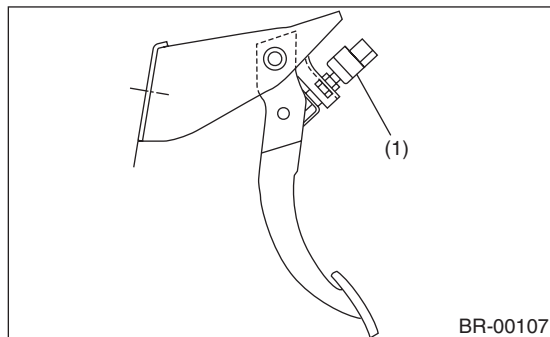
Stop Light Switch

BRAKE

15. Stop Light Switch

A: REMOVAL

- 1) Disconnect the ground cable from battery.
- 2) Disconnect the stop light switch connector.
- 3) Loosen the nuts, unscrew the stop light switch, and remove stop light switch.



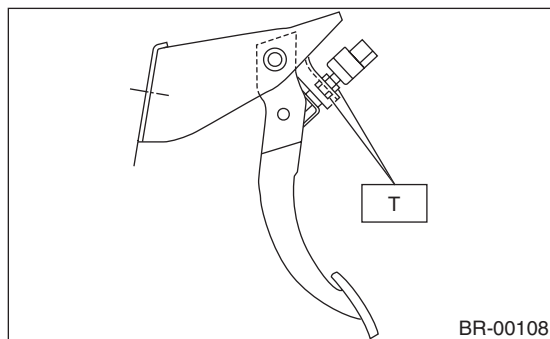
(1) Stop light switch

B: INSTALLATION

- 1) Install the stop light switch onto the bracket with screws and position it with the nut.
 - 2) Adjust the stop light switch position, and then tighten the nut.
- <Ref. to BR-41, ADJUSTMENT, Stop Light Switch.>

Tightening torque:

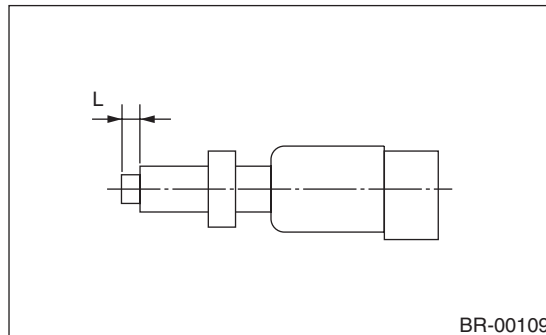
8 N·m (0.8 kgf·m, 5.8 ft·lb)



C: INSPECTION

- 1) If the stop light switch does not operate properly (or if it is not secured at the specified position), replace with a new part.

Specified position L:
2 mm (0.079 in)

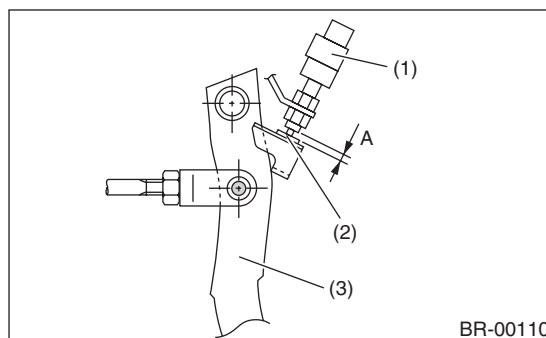


- 2) Measure the clearance between the threaded end of the stop light switch and the stopper.

CAUTION:

Be careful not to rotate the stop light switch.

Stop light switch clearance A:
0.3 mm (0.012 in)



- (1) Stop light switch
- (2) Stopper
- (3) Brake pedal

- 3) If it is not within the specification, adjust it by adjusting the position of the stop light switch.

CAUTION:

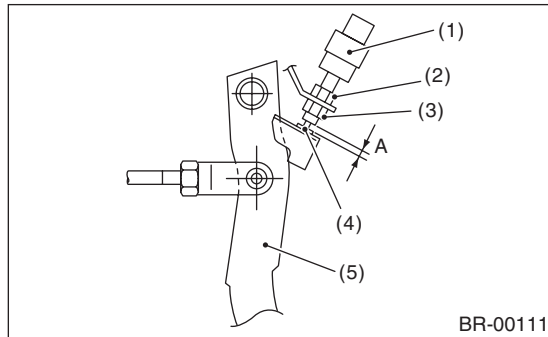
Be careful not to rotate the stop light switch.

D: ADJUSTMENT

Loosen the lock nut, and adjust the stop light switch position until the clearance between the threaded end of the stop light switch and stopper (A) becomes 0.3 mm (0.012 in). Then, tighten the lock nut.

Tightening torque:

8 N·m (0.8 kgf-m, 5.8 ft-lb)



- (1) Stop light switch
- (2) Lock nut A
- (3) Lock nut B
- (4) Stopper
- (5) Brake pedal

NOTE:

Tighten lock nut B until the threaded end of switch contacts the stopper. Hold the switch so that it does not rotate, and loosen the lock nut B approx. 60°. The clearance (A) will become 0.3 mm (0.012 in).