

General Description

PARKING BRAKE

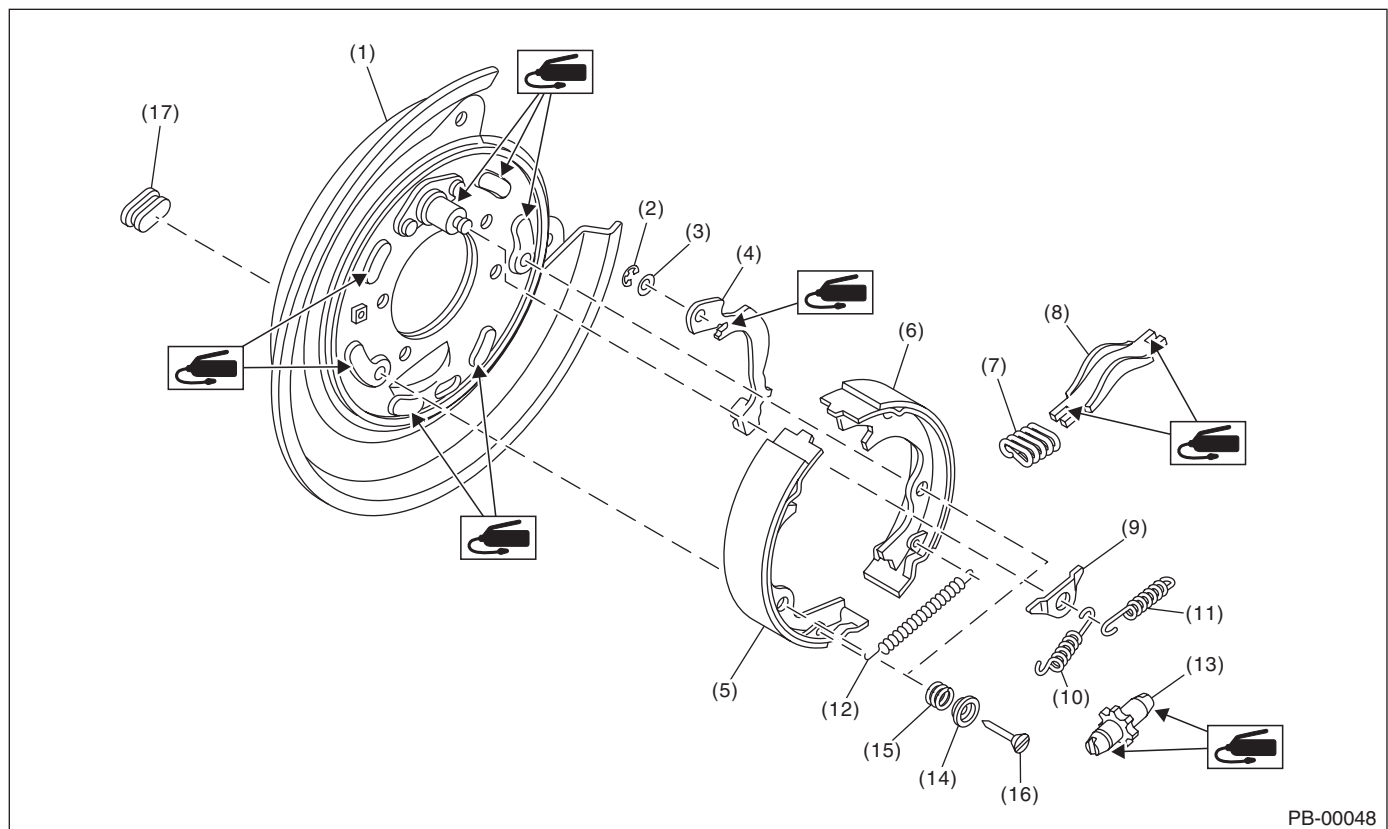
1. General Description

A: SPECIFICATION

Type		Mechanical, drum in disc rear brakes
Effective drum diameter	mm (in)	170 (6.69)
Lining dimensions (Length × Width × Thickness)	mm (in)	163.1 × 30.0 × 3.2 (6.421 × 1.181 × 0.126)
Clearance adjustment		Manual adjustment
Lever stroke	notches/N (kgf, lb)	5 — 6/200 (20.4, 45)

B: COMPONENT

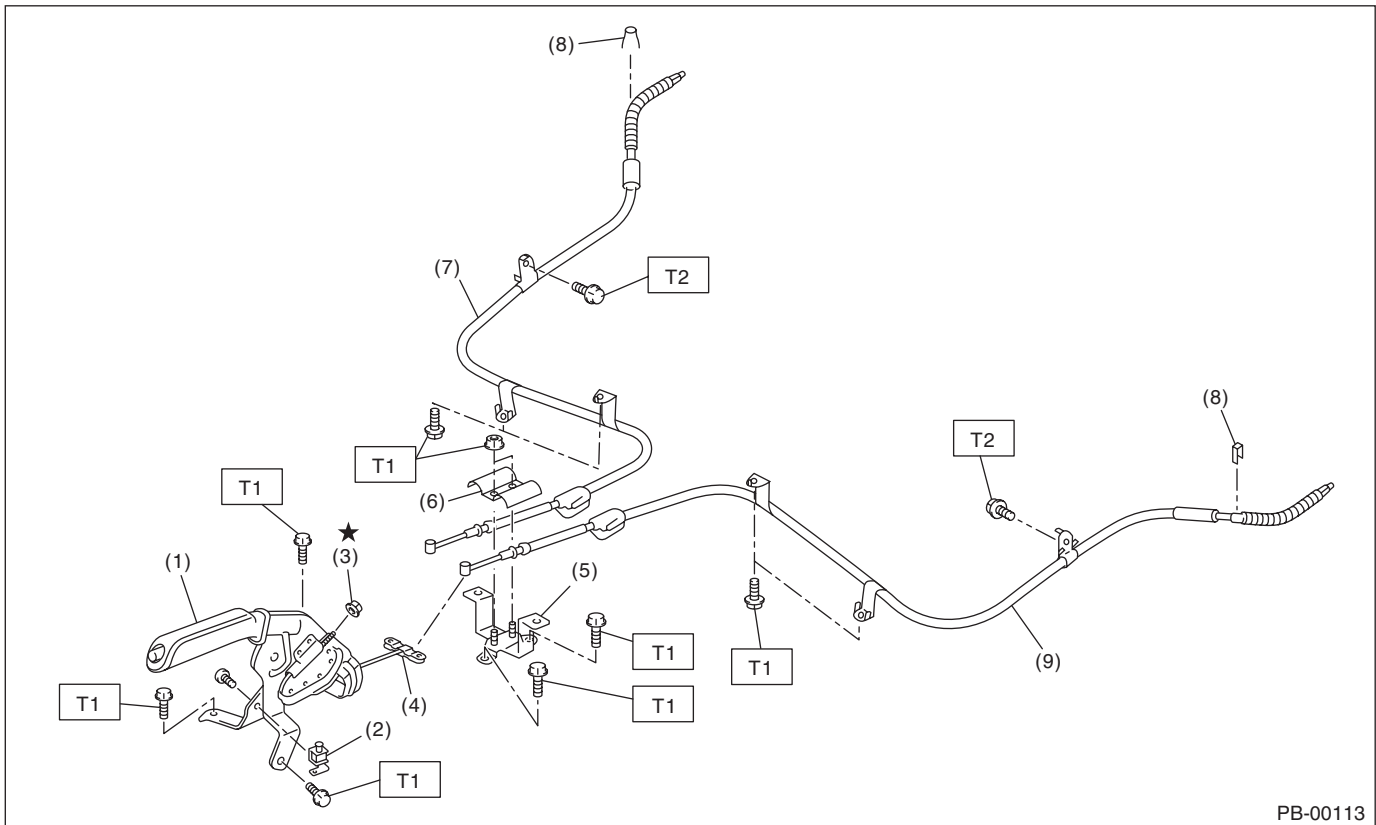
1. PARKING BRAKE (REAR DISC BRAKE)



PB-00048

- | | | |
|------------------------------------|------------------------------|----------------------------|
| (1) Back plate | (7) Strut spring | (13) Adjuster |
| (2) Retainer | (8) Strut | (14) Shoe hold-down cup |
| (3) Spring washer | (9) Shoe guide plate | (15) Shoe hold-down spring |
| (4) Lever | (10) Primary return spring | (16) Shoe hold-down pin |
| (5) Parking brake shoe (Primary) | (11) Secondary return spring | (17) Adjusting hole cover |
| (6) Parking brake shoe (Secondary) | (12) Adjusting spring | |

2. PARKING BRAKE CABLE



PB-00113

- | | |
|--------------------------------------|----------------------------|
| (1) Parking brake lever | (6) Clamp |
| (2) Parking brake switch | (7) Parking brake cable RH |
| (3) Adjusting nut (Self-locking nut) | (8) Clamp |
| (4) Equalizer | (9) Parking brake cable LH |
| (5) Bracket | |

Tightening torque: N·m (kgf·m, ft·lb)

T1: 18 (1.8, 13.0)

T2: 33 (3.4, 24.3)

C: CAUTION

- Wear appropriate work clothing, including a cap, protective goggles and protective shoes when performing any work.
- Before removal, installation or disassembly, be sure to clarify the failure. Avoid unnecessary removal, installation, disassembly and replacement.
- Vehicle components are extremely hot after driving. Be wary of receiving burns from heated parts.
- Use SUBARU genuine grease etc. or equivalent. Do not mix grease etc. of different grades or manufacturers.
- Be sure to tighten fasteners including bolts and nuts to the specified torque.
- Place shop jacks or rigid racks at the specified points.
- Before securing a part in a vise, place cushioning material such as wood blocks, aluminum plate or cloth between the part and the vise.
- Make sure grease does not come into contact with the parking shoes.