

# Steering Wheel

## POWER ASSISTED SYSTEM (POWER STEERING)

### 2. Steering Wheel

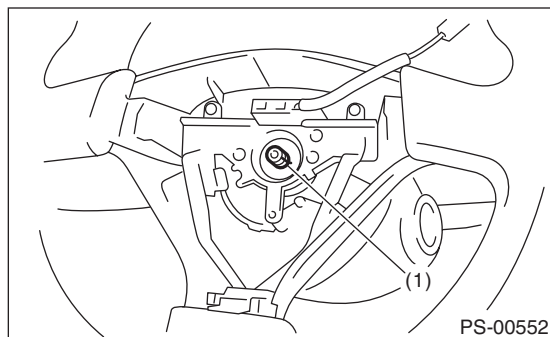
#### A: REMOVAL

- 1) Disconnect the ground cable from battery.
- 2) Set the tire to the straight-ahead position.
- 3) Remove the airbag module. <Ref. to AB-17, REMOVAL, Driver's Airbag Module.>

#### WARNING:

**Always refer to "Airbag System" before performing service on the airbag modules. <Ref. to AB-6, CAUTION, General Description.>**

- 4) Place alignment marks on the steering wheel and steering shaft.



(1) Alignment mark

- 5) Remove the steering wheel nut, and then draw out the steering wheel from shaft using steering puller.

#### B: INSTALLATION

#### WARNING:

**Always refer to "Airbag System" before performing service on the airbag modules. <Ref. to AB-6, CAUTION, General Description.>**

- 1) Align the center position of the roll connector. <Ref. to AB-26, ADJUSTMENT, Roll Connector.>
- 2) Install in the reverse order of removal.

#### NOTE:

Align the alignment marks on the steering wheel and steering shaft.

#### Tightening torque:

**45 N·m (4.6 kgf-m, 33.2 ft-lb)**

#### Column cover-to-steering wheel clearance:

**2 — 4 mm (0.08 — 0.16 in)**

#### CAUTION:

**Insert the roll connector guide pin into the guide hole on the lower end of the steering wheel surface. Avoid damaging the pin.**

#### C: INSPECTION

- 1) Check the steering wheel for deformation. If the deformation is excessive, replace the steering wheel.
- 2) Check the splines on the steering wheel for damage. If the damage is excessive, replace the steering wheel.