

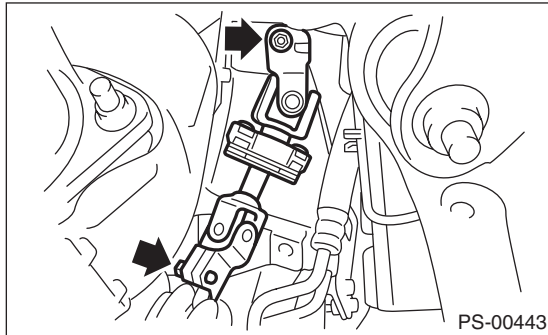
Universal Joint

POWER ASSISTED SYSTEM (POWER STEERING)

3. Universal Joint

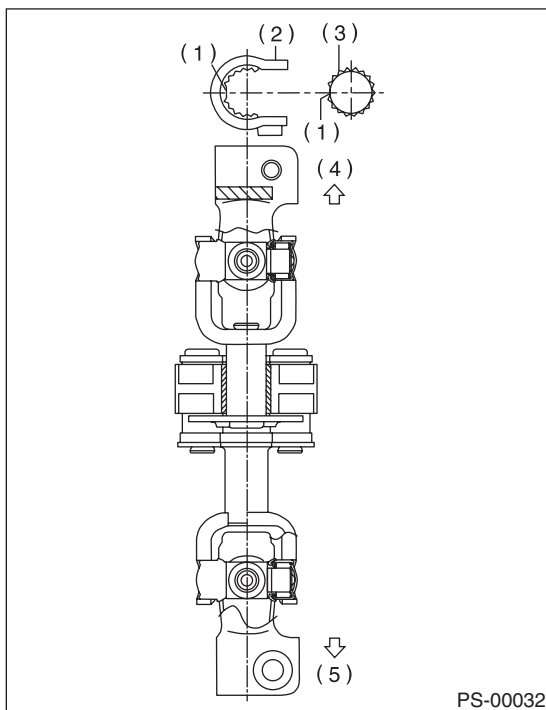
A: REMOVAL

- 1) Remove the steering wheel. <Ref. to PS-14, REMOVAL, Steering Wheel.>
- 2) Place alignment marks on universal joint.
- 3) Remove the universal joint bolt, and then remove the universal joint.



B: INSTALLATION

- 1) Align the cutout portion at serrated section of the column shaft and yoke, then install the universal joint into column shaft.



- (1) Cutout portion
- (2) Yoke
- (3) Column shaft
- (4) Column shaft side
- (5) Gearbox side

- 2) Install the universal joint to the serrations of gearbox assembly by matching alignment marks.

- 3) Tighten the bolt.

Tightening torque:

24 N·m (2.4 kgf·m, 17.4 ft·lb)

CAUTION:

Excessively large tightening torque of universal joint bolts may lead to heavy steering wheel operation.

- 4) Align the center position of the roll connector. <Ref. to AB-26, ADJUSTMENT, Roll Connector.>
- 5) Install the steering wheel. <Ref. to PS-14, INSTALLATION, Steering Wheel.>

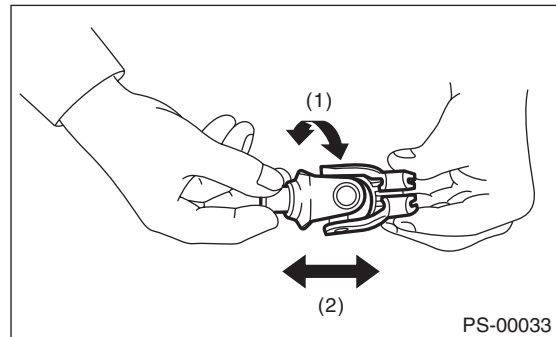
C: INSPECTION

Check for wear, damage or any other faults. Replace as necessary

Service limit:

Universal joint play: 0 mm (0 in)

Maximum swing torque: 0.3 N (0.03 kgf, 0.07 lb)

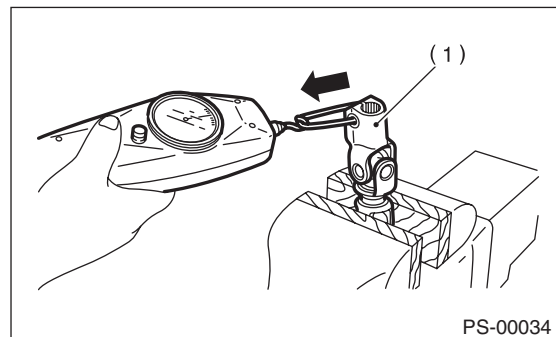


- (1) Swing torque
- (2) Play

Measure the swing torque of universal joint.

Service limit:

Maximum load: 3.8 N (0.39 kgf, 0.86 lb) or less



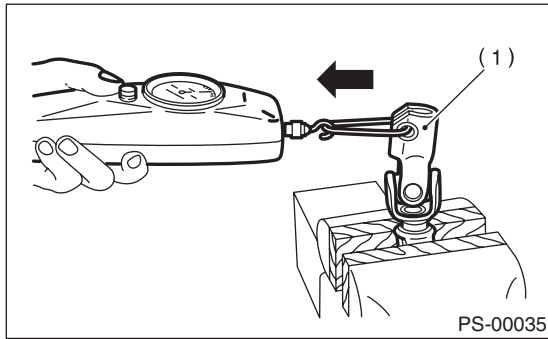
- (1) Yoke (Gearbox side)

Universal Joint

POWER ASSISTED SYSTEM (POWER STEERING)

Service limit:

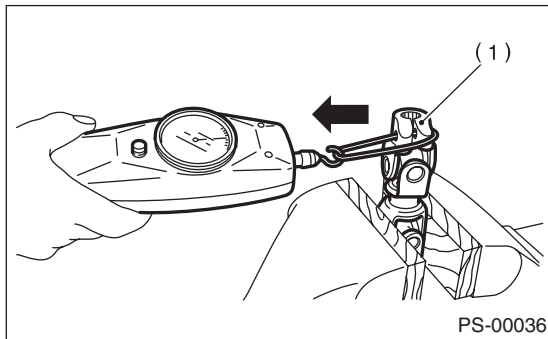
Maximum load: 3.8 N (0.39 kgf, 0.86 lb) or less



(1) Yoke (Gearbox side)

Service limit:

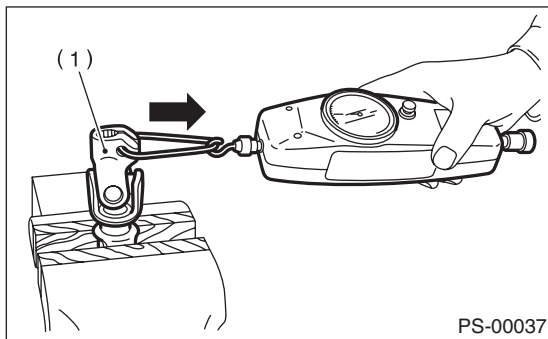
Maximum load: 7.3 N (0.74 kgf, 1.64 lb) or less



(1) Yoke (Steering column side)

Service limit:

Maximum load: 7.3 N (0.74 kgf, 1.64 lb) or less



(1) Yoke (Steering column side)