

10. Rear Sub Frame

A: REMOVAL

1) Separate the front exhaust pipe and rear exhaust pipe.

2) Remove the rear exhaust pipe and muffler.

3) Remove the rear differential.

T-type

<Ref. to DI-27, REMOVAL, Rear Differential (T-type).>

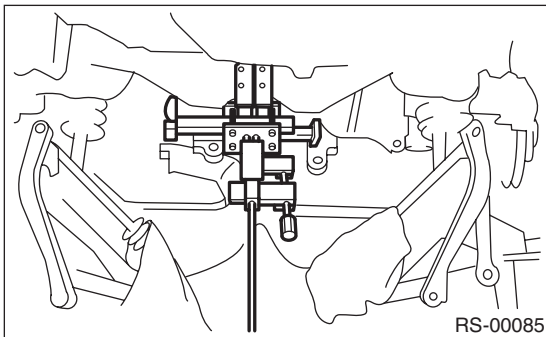
VA-type

<Ref. to DI-44, REMOVAL, Rear Differential (VA-type).>

4) Remove the rear stabilizer. <Ref. to RS-8, REMOVAL, Rear Stabilizer.>

5) Remove the bolts which secure the rear shock absorber to the rear arm.

6) Support the sub frame using a transmission jack.



7) Remove the front link from sub frame.

<Ref. to RS-17, REMOVAL, Front Link.>

8) Remove the rear link from the sub frame.

<Ref. to RS-18, REMOVAL, Rear Link.>

9) Remove the upper link from the sub frame.

<Ref. to RS-13, REMOVAL, Upper Link.>

10) Remove the sub frame support arm.

11) After removing the bolt, remove the sub frame from the vehicle.

B: INSTALLATION

1) Install in the reverse order of removal.

2) Follow the procedure below for the rear differential installation and tightening torque.

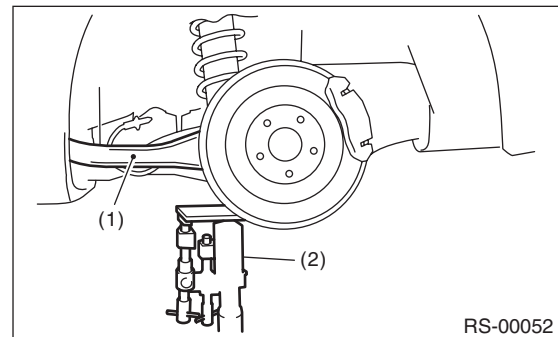
T-type

<Ref. to DI-28, INSTALLATION, Rear Differential (T-type).>

VA-type

<Ref. to DI-45, INSTALLATION, Rear Differential (VA-type).>

3) Support the rear arm horizontally using a transmission jack. Tighten the nuts and bolts which hold the rear arm, front link, rear link, upper link and shock absorber.



(1) Rear arm

(2) Transmission jack

Tightening torque:

<Ref. to RS-3, REAR SUSPENSION, COMPONENT, General Description.>

NOTE:

Check the wheel alignment and adjust it if necessary.

C: INSPECTION

Check the removed parts for wear, damage and crack, and repair or replace them if faulty.