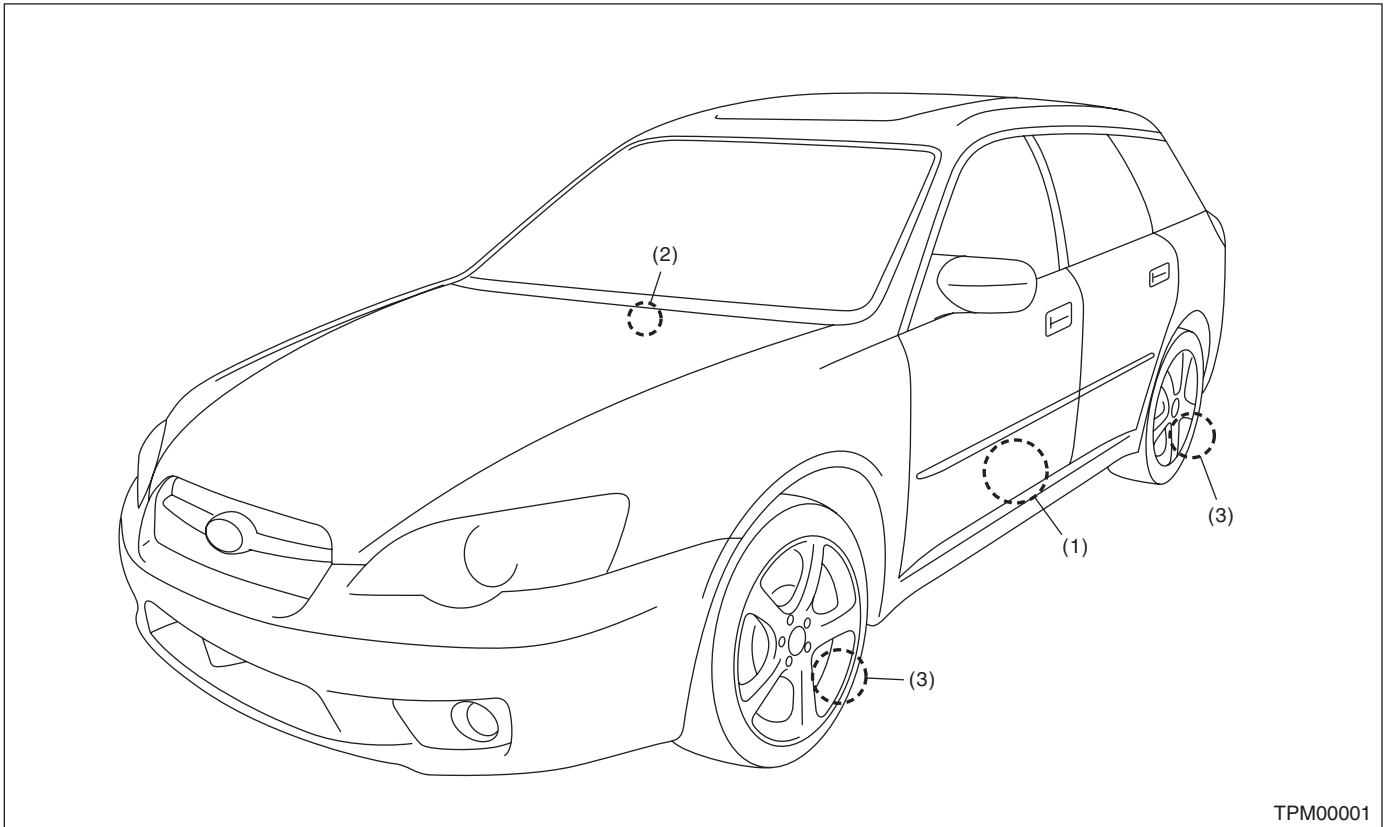


Electrical Component Location

TIRE PRESSURE MONITORING SYSTEM (DIAGNOSTICS)

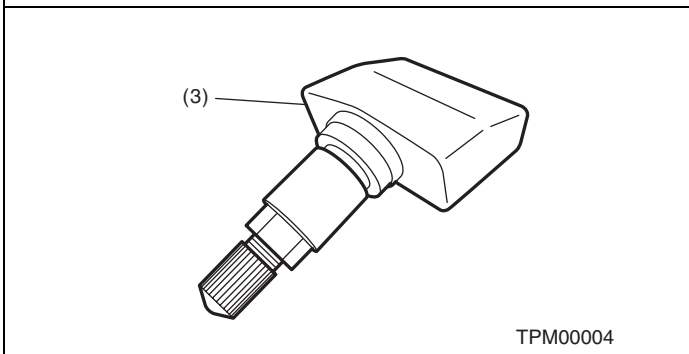
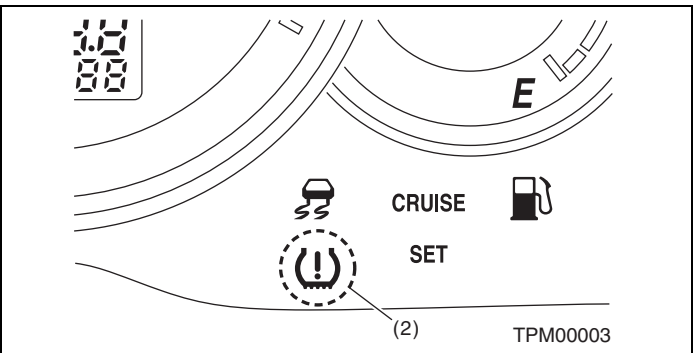
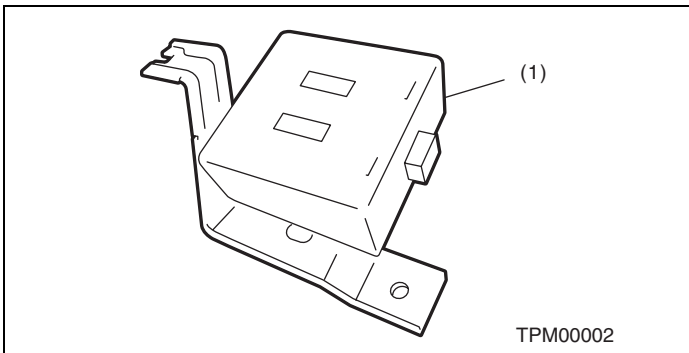
3. Electrical Component Location

A: LOCATION



TPM00001

- (1) TIRE PRESSURE MONITORING CONTROL MODULE (2) Tire pressure warning light (3) Transmitter 1 — 4



SUBARU.