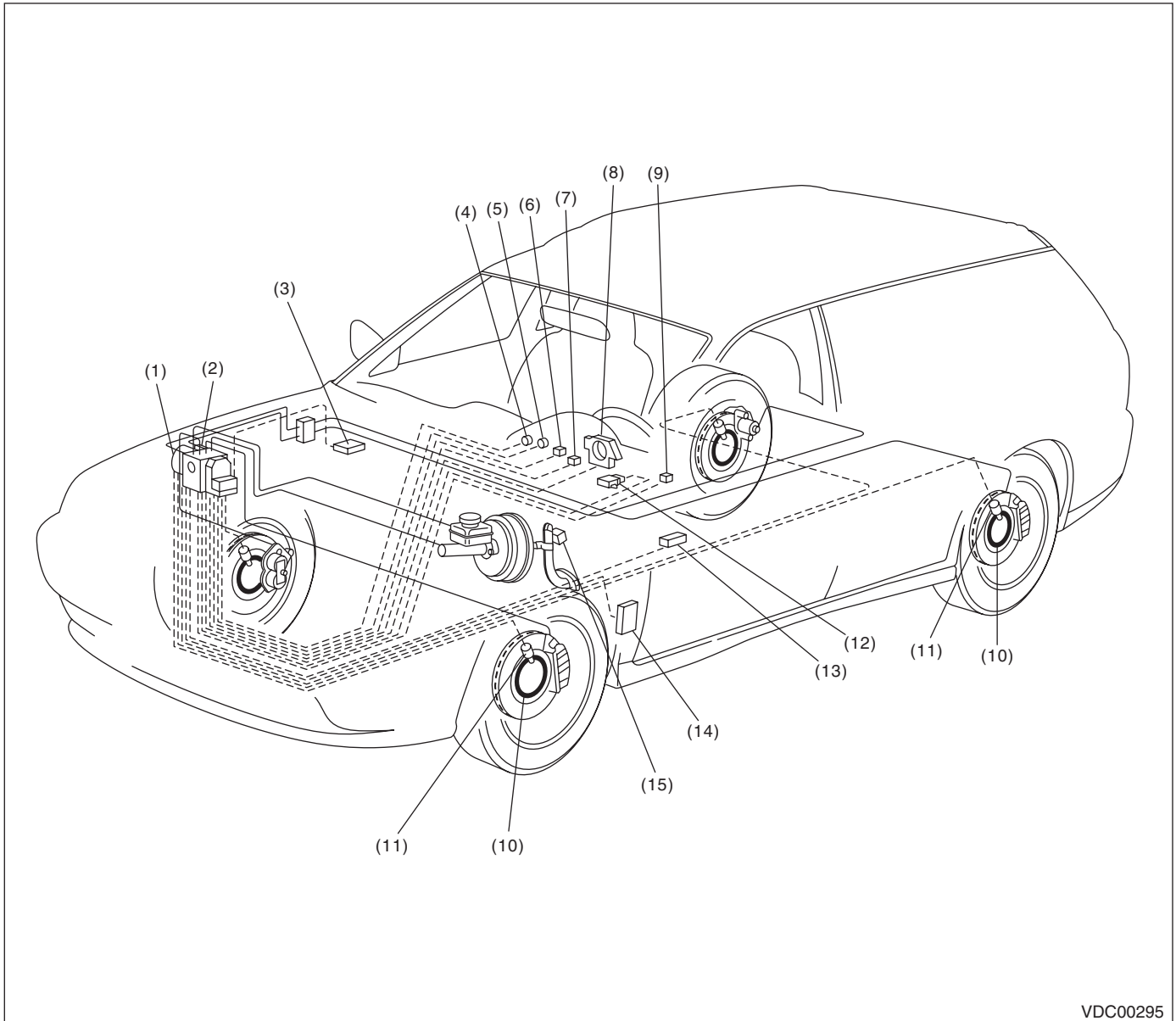


Electrical Component Location

VEHICLE DYNAMICS CONTROL (VDC) (DIAGNOSTICS)

4. Electrical Component Location

A: LOCATION



VDC00295

- | | | |
|---|---|--|
| (1) VDC control module and hydraulic control unit (VDCCM&H/U) | (6) VDC indicator light | (11) ABS wheel speed sensor |
| (2) Pressure sensor | (7) VDC warning light and VDC OFF indicator light | (12) Yaw rate & lateral G sensor |
| (3) Engine control module (ECM) | (8) Steering angle sensor | (13) Data link connector |
| (4) Brake warning light (EBD warning light) | (9) VDC OFF switch | (14) Transmission control module (TCM) |
| (5) ABS warning light | (10) Magnetic encoder | (15) Stop light switch |

Electrical Component Location

VEHICLE DYNAMICS CONTROL (VDC) (DIAGNOSTICS)

