

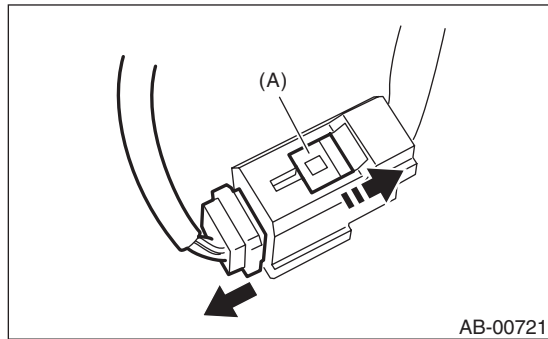
2. Airbag Connector

A: PROCEDURE

1. POWER SUPPLY AND BUCKLE SWITCH

1) How to disconnect:

- (1) Move the slide lock (A) in the direction of arrow.
- (2) While holding the slide lock (A) in the moved position, disconnect the connector.

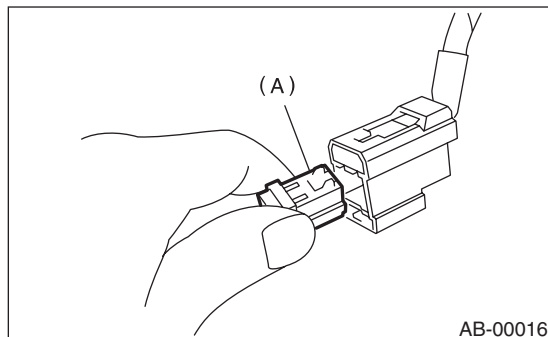


CAUTION:

When pulling the slide lock or disconnecting connector, be sure to hold the connector, not the harness.

2) How to connect:

Holding the connector (A), and push it in carefully until a clicking sound is heard.



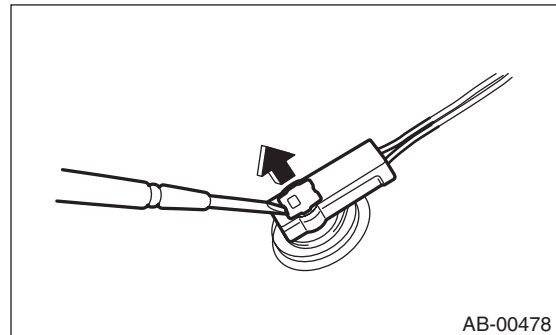
CAUTION:

Be sure to insert the connector in until it is locked. Then pull it lightly to make sure that it is locked.

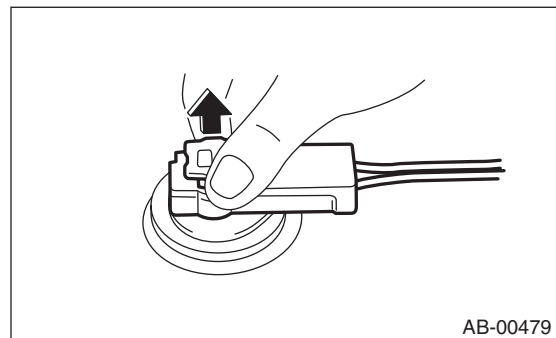
2. DRIVER'S AIRBAG MODULE AND PRE-TENSIONER

1) How to disconnect:

- (1) Using a flat tip screwdriver, pry the push lock upward to unlock.



- (2) Pull the connector to disconnect from the driver's airbag module assembly or the retractor assembly.

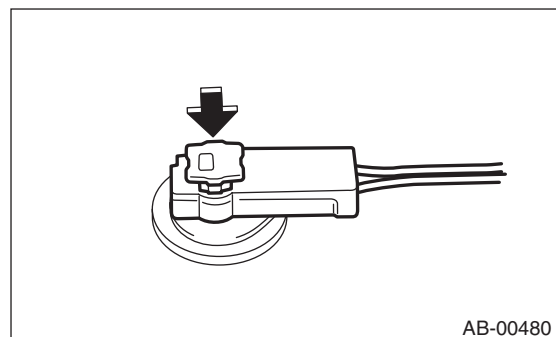


2) How to connect:

Connect the connector in the reverse order of disconnecting. At this time, be sure to insert the push lock until a clicking sound is heard.

CAUTION:

- Be sure to insert the connector in until it is locked. Then pull it lightly to make sure that it is locked.
- Be sure to push the push lock in securely.



NOTE:

The connector cannot be connected when the push lock is in the lock position. Move the push lock to the release position and connect the connector.

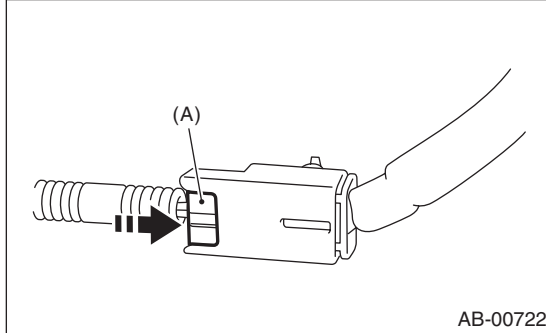
Airbag Connector

AIRBAG SYSTEM

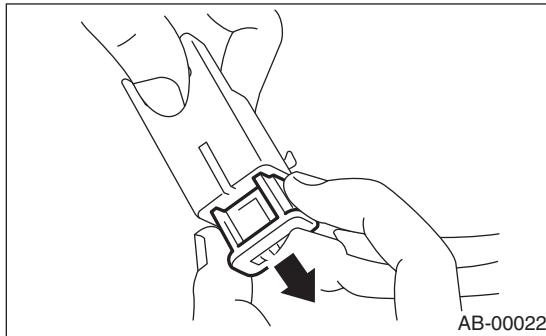
3. DRIVER'S AIRBAG (BETWEEN AIRBAG MAIN HARNESS AND ROLL CONNECTOR) AND SIDE AIRBAG

1) How to disconnect:

(1) Push the slide lock (A) in the direction of arrow.



(2) With the slide lock pushed, disconnect the connector.

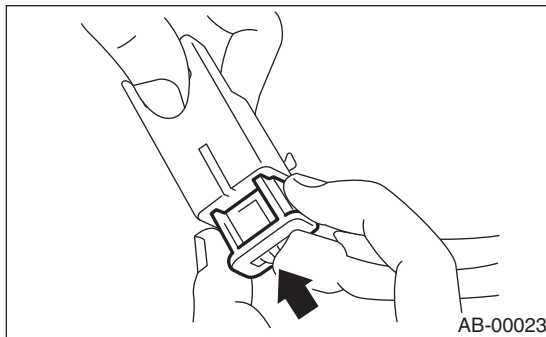


CAUTION:
When pulling the slide lock or disconnecting connector, be sure to hold the connector, not the harness.

2) How to connect:

Holding the connector, push it in securely until a clicking sound is heard.

CAUTION:
Be sure to insert the connector in until it is locked. Then pull it lightly to make sure that it is locked.

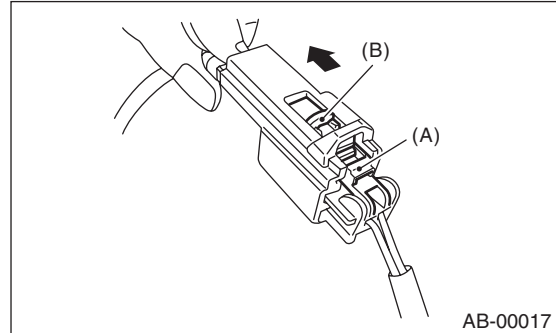


4. SIDE AIRBAG AND CURTAIN AIRBAG

1) How to disconnect:

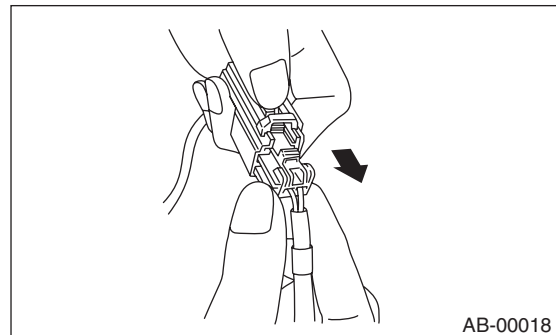
(1) Push the lock arm (A).

(2) With the lock arm (A) pushed in, move the slide lock (B) in the direction of arrow.



(3) With the slide lock held in the moved position, release the lock arm (return to original position) and disconnect the connector.

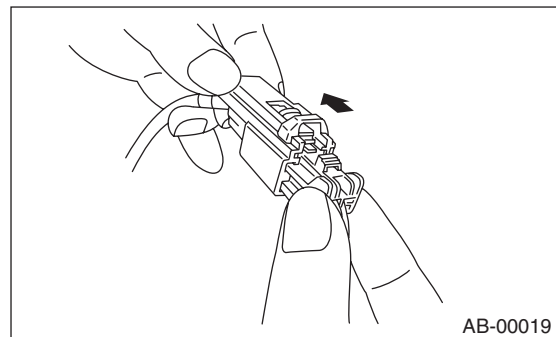
CAUTION:
When pulling the slide lock or disconnecting connector, be sure to hold the connector, not the harness.



2) How to connect:

Holding the connector, push it in securely until a clicking sound is heard.

CAUTION:
Be sure to insert the connector in until it is locked. Then pull it lightly to make sure that it is locked.



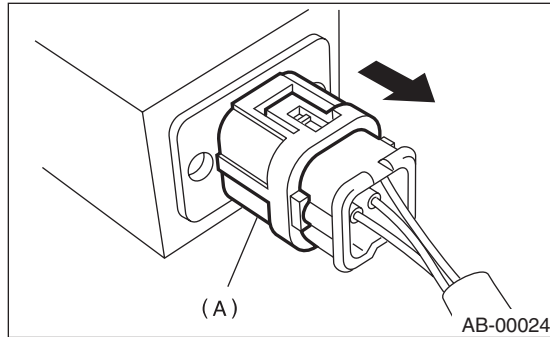
5. FRONT SUB SENSOR, SIDE AIRBAG SENSOR, CURTAIN AIRBAG SENSOR AND SEAT POSITION SENSOR

1) How to disconnect:

Holding outer part (A), pull it in the direction of arrow.

CAUTION:

When pulling the slide lock or disconnecting connector, be sure to hold the connector, not the harness.

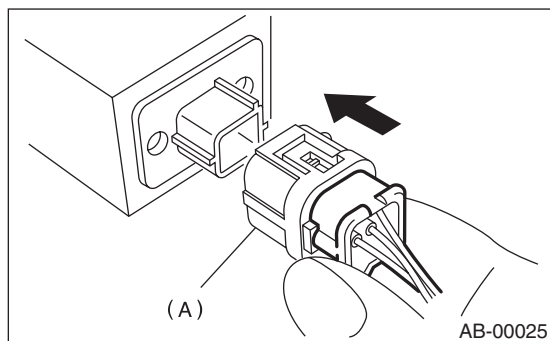


2) How to connect:

Holding the connector, push it in securely until a clicking sound is heard.

CAUTION:

- Do not touch the outer side section or else the outer side (A) will move back.
- Be sure to insert the connector in until it is locked. Then pull it lightly to make sure that it is locked.



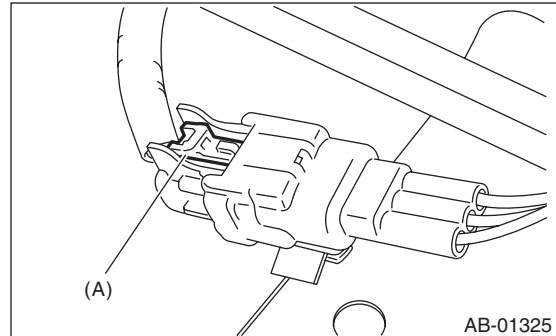
6. PASSENGER DETECTION SYSTEM (BETWEEN AIRBAG REAR HARNESS AND SEAT HARNESS) AND BELT TENSION SENSOR

1) How to disconnect:

Push lock arm (A), then disconnect the connector.

CAUTION:

When pulling the slide lock or disconnecting connector, be sure to hold the connector, not the harness.



2) How to connect:

Holding the connector, push it in securely until a clicking sound is heard.

CAUTION:

Be sure to insert the connector in until it is locked. Then pull it lightly to make sure that it is locked.