

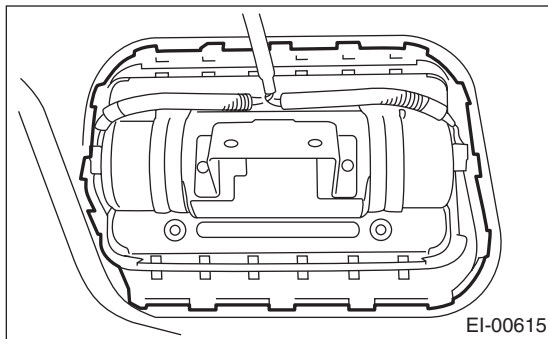
5. Passenger's Airbag Module

A: REMOVAL

CAUTION:

Refer to “CAUTION” of “General Description” before handling the airbag module. <Ref. to AB-6, CAUTION, General Description.>

- 1) Turn the ignition switch to OFF.
- 2) Disconnect the ground cable from battery and wait for at least 20 seconds before starting work.
- 3) Remove the instrument panel. <Ref. to EI-55, INSTRUMENT PANEL (EXCLUDING STEERING SUPPORT BEAM), REMOVAL, Instrument Panel Assembly.>
- 4) Remove the pawl, and remove the passenger's airbag module.



- 5) Refer to “CAUTION” for handling of a removed airbag module. <Ref. to AB-6, CAUTION, General Description.>

B: INSTALLATION

CAUTION:

Refer to “CAUTION” of “General Description” before handling the airbag module. <Ref. to AB-6, CAUTION, General Description.>

Install in the reverse order of removal.

Tightening torque:

7.4 N·m (0.75 kgf·m, 5.5 ft·lb)

C: INSPECTION

CAUTION:

Refer to “CAUTION” of “General Description” before handling the airbag module. <Ref. to AB-6, CAUTION, General Description.>

Check for the following, and replace the damaged parts with new parts.

Airbag module, harness, connector and mounting bracket are damaged. <Ref. to AB-15, PASSENGER'S AIRBAG MODULE, INSPECTION, Inspection Locations After a Collision.>