

## 7. Curtain Airbag Module

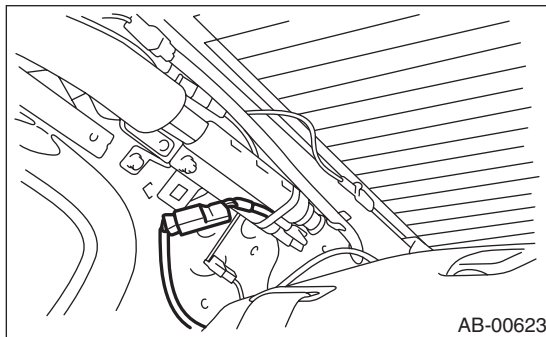
### A: REMOVAL

**CAUTION:**

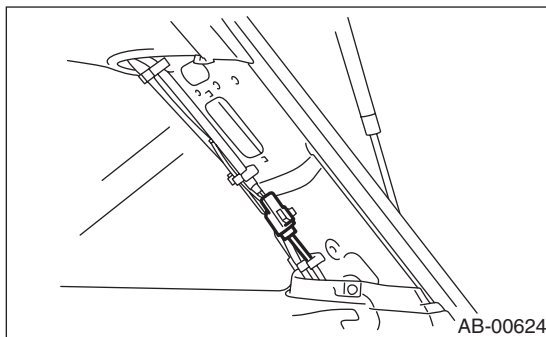
Refer to “CAUTION” of “General Description” before handling the airbag module. <Ref. to AB-6, CAUTION, General Description.>

- 1) Turn the ignition switch to OFF.
- 2) Disconnect the ground cable from battery and wait for at least 20 seconds before starting work.
- 3) Remove the rear quarter trim. (Sedan model) <Ref. to EI-61, SEDAN MODEL, REMOVAL, Rear Quarter Trim.>
- 4) Remove the quarter rear pillar trim. (Wagon model) <Ref. to EI-61, WAGON MODEL, REMOVAL, Rear Quarter Trim.>
- 5) Disconnect the curtain airbag module connector.

- Sedan model



- Wagon model

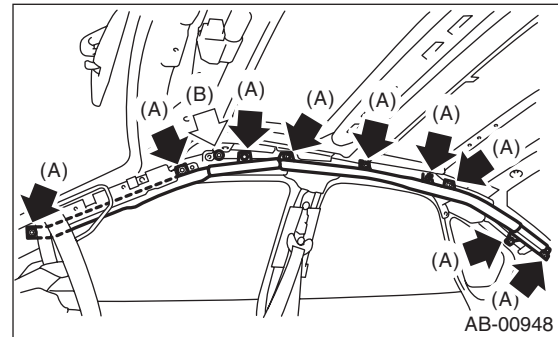


- 6) Remove the roof trim. <Ref. to EI-65, REMOVAL, Roof Trim.>

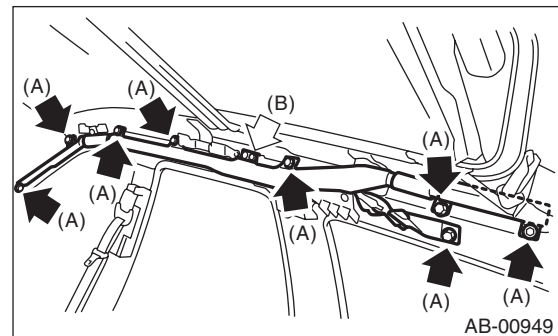
- 7) Remove bolt (A) and clip (B), and then remove the curtain airbag module.

**CAUTION:**

- Be careful not to damage the curtain airbag module during removal.
- Never open the curtain airbag module before deploying it. Never reuse the deployed curtain airbag module.
- Sedan model



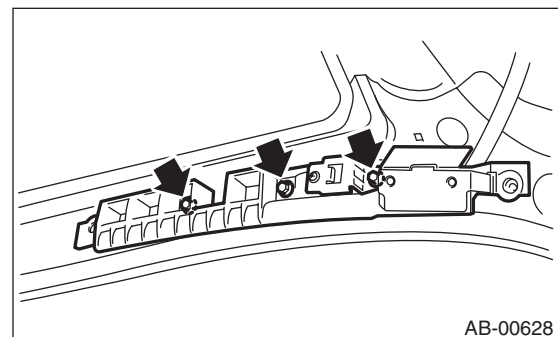
- Wagon model



**NOTE:**

Remove the rear center seat belt retractor on the RH side before servicing.

- 8) Remove the airbag guide A from the front pillar.

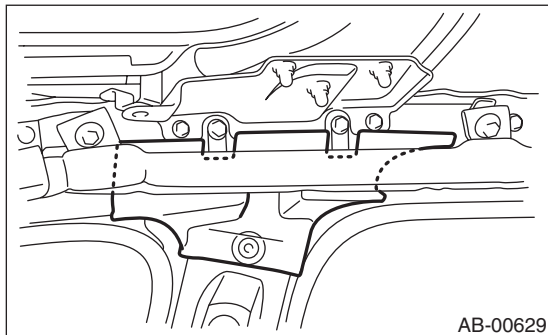


# Curtain Airbag Module

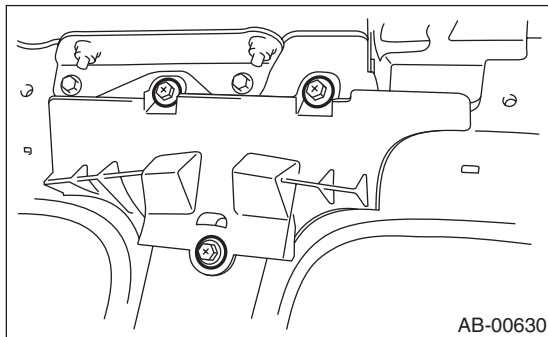
## AIRBAG SYSTEM

9) Remove the airbag guide B from the center pillar.

- Sedan model

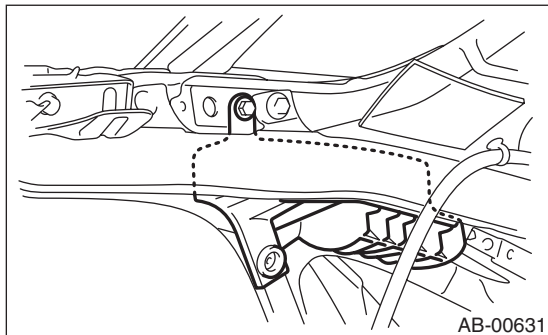


- Wagon model

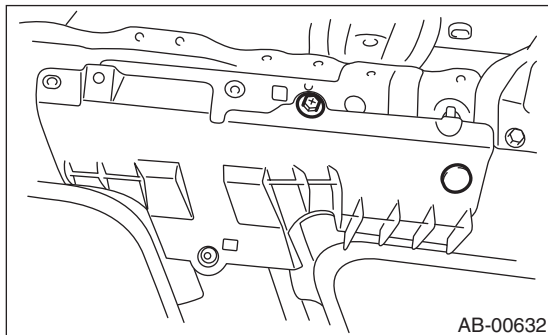


10) Remove airbag guide C from quarter pillar.

- Sedan model



- Wagon model



## B: INSTALLATION

### CAUTION:

- Refer to “CAUTION” of “General Description” before handling the airbag module. <Ref. to AB-6, CAUTION, General Description.>
- When installing the curtain airbag module, install a specified part at specified place.
- Be careful not to damage the curtain airbag module during removal.
- Never open the curtain airbag module before deploying it. Never reuse the deployed curtain airbag module.
- Make sure that there are no foreign matter on airbag module.

Install in the reverse order of removal.

### Tightening torque:

7.5 N·m (0.77 kgf·m, 5.5 ft·lb)

## C: INSPECTION

### CAUTION:

Refer to “CAUTION” of “General Description” before handling the airbag module. <Ref. to AB-6, CAUTION, General Description.>

Check for the following, and replace the damaged parts with new parts. <Ref. to AB-15, CURTAIN AIRBAG MODULE, INSPECTION, Inspection Locations After a Collision.>

1) With side collision (when curtain airbag is deployed)

- Curtain airbag module assembly
- Roof trim
- Front pillar upper trim
- Center pillar upper trim
- Rear quarter pillar trim
- Airbag guide A, B, C

2) When damage is found by visual check

- Assist grip
- Assist grip bracket
- Curtain airbag harness and connector on body side.

3) With side collision (when curtain airbag is not deployed)

Check the roof trim, pillar trim and airbag module visually, and then replace them with new parts if damaged or cracked.

Specially inspect the damage of airbag module body, mounting bracket and harness connector.

4) Without side collision (dirt and damage of cover)

Replace the corresponding part with a new part.