

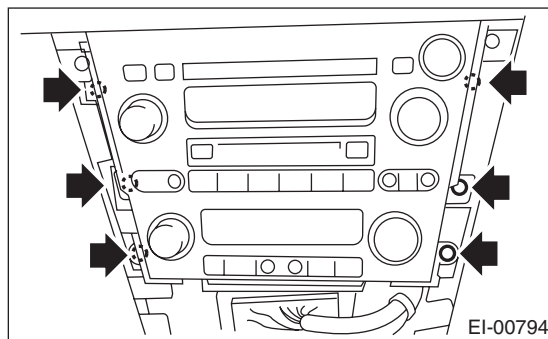
8. Airbag Control Module

A: REMOVAL

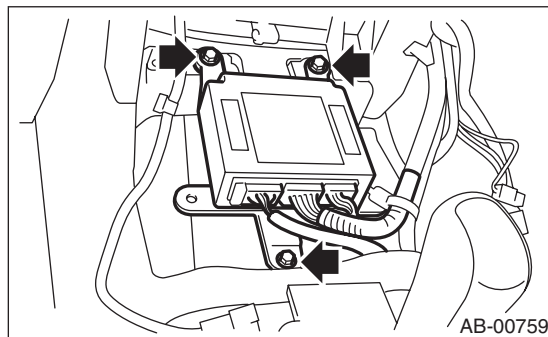
CAUTION:

- Do not disassemble the airbag control module.
- If the airbag control module is deformed or if the fault occurs by water, replace the airbag control module with a new part.
- Do not drop the airbag control module.
- After removal, keep the airbag control module on a dry, clean surface away from moisture, heat and dust.

- 1) Turn the ignition switch to OFF.
- 2) Disconnect the ground cable from battery and wait for at least 20 seconds before starting work.
- 3) Remove the console front panel and console side garnish. <Ref. to EI-53, REMOVAL, Center Console.>
- 4) Remove screws and pull out the audio unit assembly, and disconnect the connector for removal.



- 5) Disconnect the connector from airbag control module.
- 6) Remove the bolts and remove airbag control module.



B: INSTALLATION

CAUTION:

- Do not reuse the bolt and nut.
- Always use new bolts and nuts for them.
- Be sure to put the water protection cover over the connector.

Install in the reverse order of removal.

Tightening torque:

25 N·m (2.5 kgf-m, 18.1 ft-lb)

C: INSPECTION

Check for the following, and replace the damaged parts with new parts.

- Control module, connector, and mounting bracket are damaged.
- Airbag is deployed.
- Side airbag is deployed.
- Curtain airbag is deployed.