

# Airbag Connector

AIRBAG SYSTEM (DIAGNOSTICS)

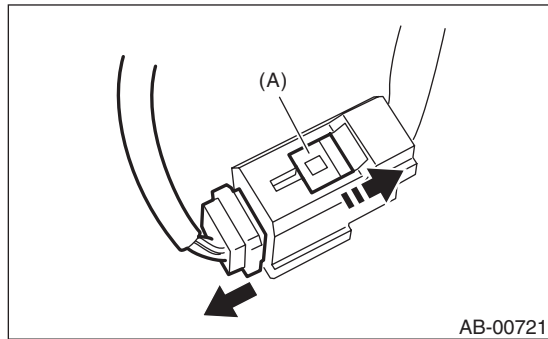
## 5. Airbag Connector

### A: PROCEDURE

#### 1. BUCKLE SWITCH

1) How to disconnect:

- (1) Move the slide lock (A) in the direction of arrow.
- (2) With the slide lock (A) moved, disconnect the connector.

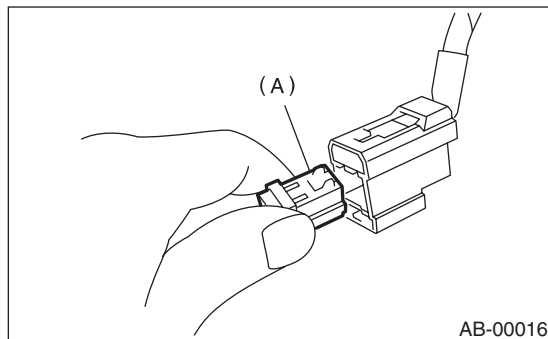


#### CAUTION:

When pulling the slide lock or disconnecting connector, be sure to hold the connector, not the harness.

2) How to connect:

Holding the connector (A), and push it in carefully until a clicking sound is heard.



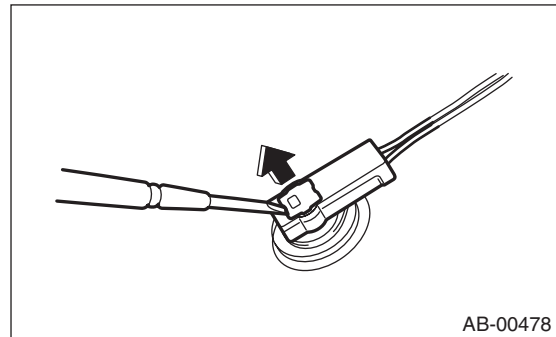
#### CAUTION:

Be sure to insert the connector in until it is locked. Then pull it gently to make sure that it is locked.

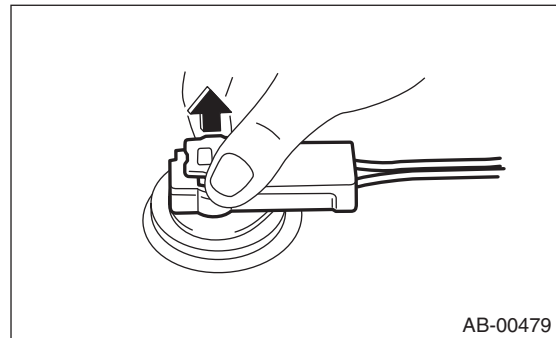
#### 2. DRIVER'S AIRBAG MODULE AND PRE-TENSIONER

1) How to disconnect:

- (1) Using a flat tip screwdriver, pry the push lock upward to unlock.



- (2) Pull the connector to disconnect from driver's airbag module assembly or retractor assembly.

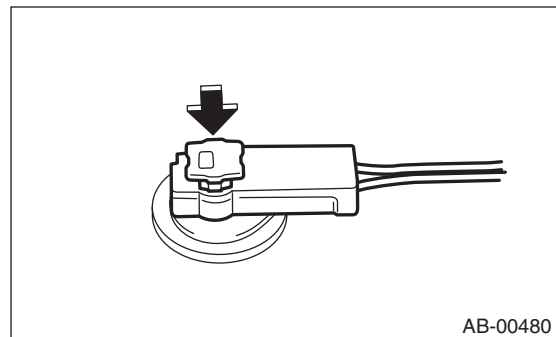


2) How to connect:

Connect the connector in the reverse order of disconnecting. At this time, be sure to insert the push lock until a clicking sound is heard.

#### CAUTION:

- Be sure to insert the connector in until it is locked. Then pull it gently to make sure that it is locked.
- Be sure to push the push lock in securely.



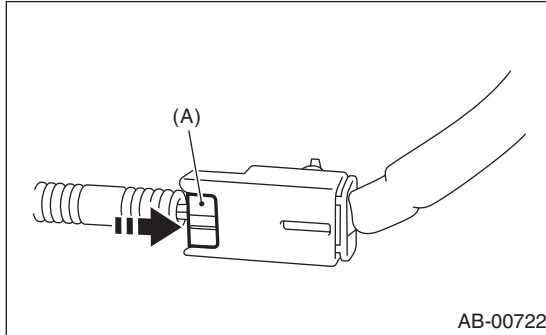
#### NOTE:

The connector cannot be connected when the push lock is in lock position. To connect the connector, set the push lock to unlock position.

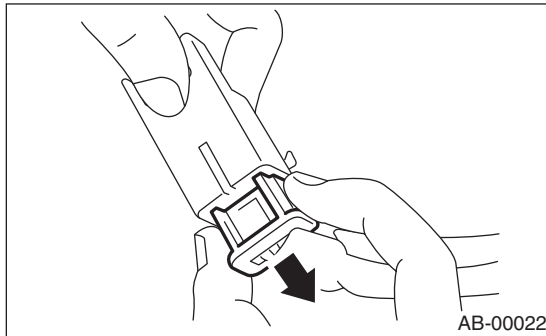
### 3. DRIVER'S AIRBAG (BETWEEN AIRBAG MAIN HARNESS AND ROLL CONNECTOR) AND SIDE AIRBAG

1) How to disconnect:

(1) Push the slide lock (A) into the direction of arrow.



(2) With the slide lock pushed, disconnect the connector.

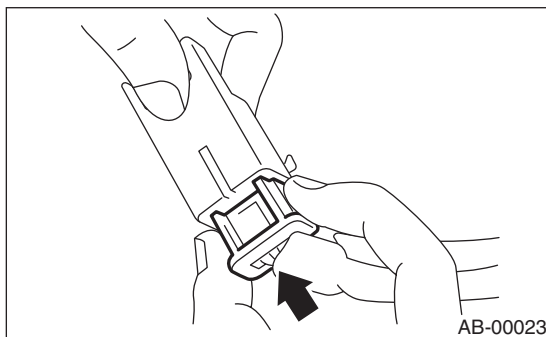


**CAUTION:**  
When pulling the slide lock or disconnecting connector, be sure to hold the connector, not the harness.

2) How to connect:

Holding the connector, push it in securely until a clicking sound is heard.

**CAUTION:**  
Be sure to insert the connector in until it is locked. Then pull it gently to make sure that it is locked.

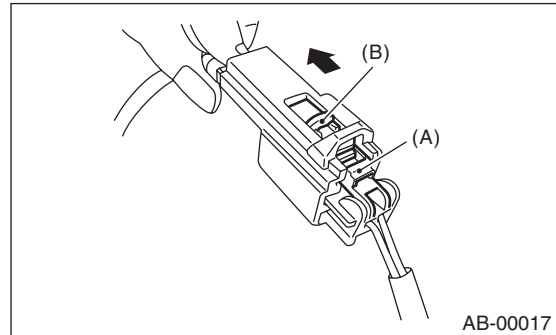


### 4. SIDE AIRBAG AND CURTAIN AIRBAG

1) How to disconnect:

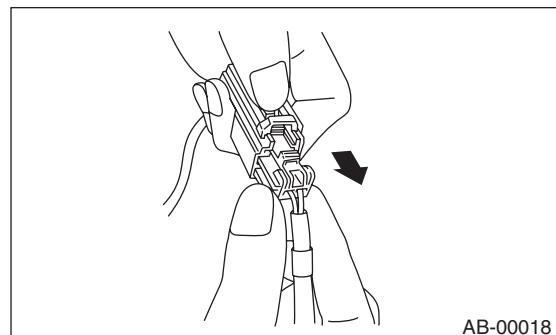
(1) Push the lock arm (A).

(2) With the lock arm (A) pushed in, move the slide lock (B) in the direction of arrow.



(3) With the slide lock moved, release the lock arm (return to original position) and disconnect the connector.

**CAUTION:**  
When pulling the slide lock or disconnecting connector, be sure to hold the connector, not the harness.



# Airbag Connector

## AIRBAG SYSTEM (DIAGNOSTICS)

---

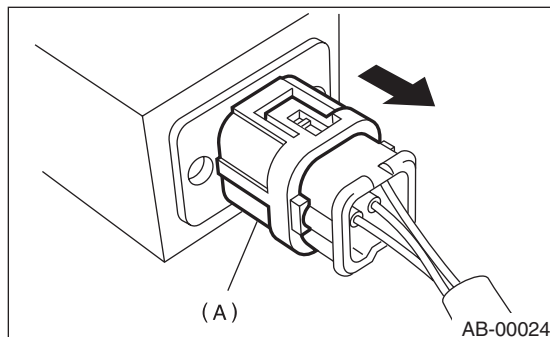
### 5. FRONT SUB SENSOR, SIDE AIRBAG SENSOR, CURTAIN AIRBAG SENSOR AND SEAT POSITION SENSOR LH

1) How to disconnect:

Holding outer part (A), pull it in the direction of arrow.

**CAUTION:**

**When pulling the slide lock or disconnecting connector, be sure to hold the connector, not the harness.**



2) How to connect:

Holding the connector, push it in securely until a clicking sound is heard.

**CAUTION:**

- Outer side (A) moves back, and so do not put your hand on the outer part.
- Be sure to insert the connector in until it is locked. Then pull it gently to make sure that it is locked.

