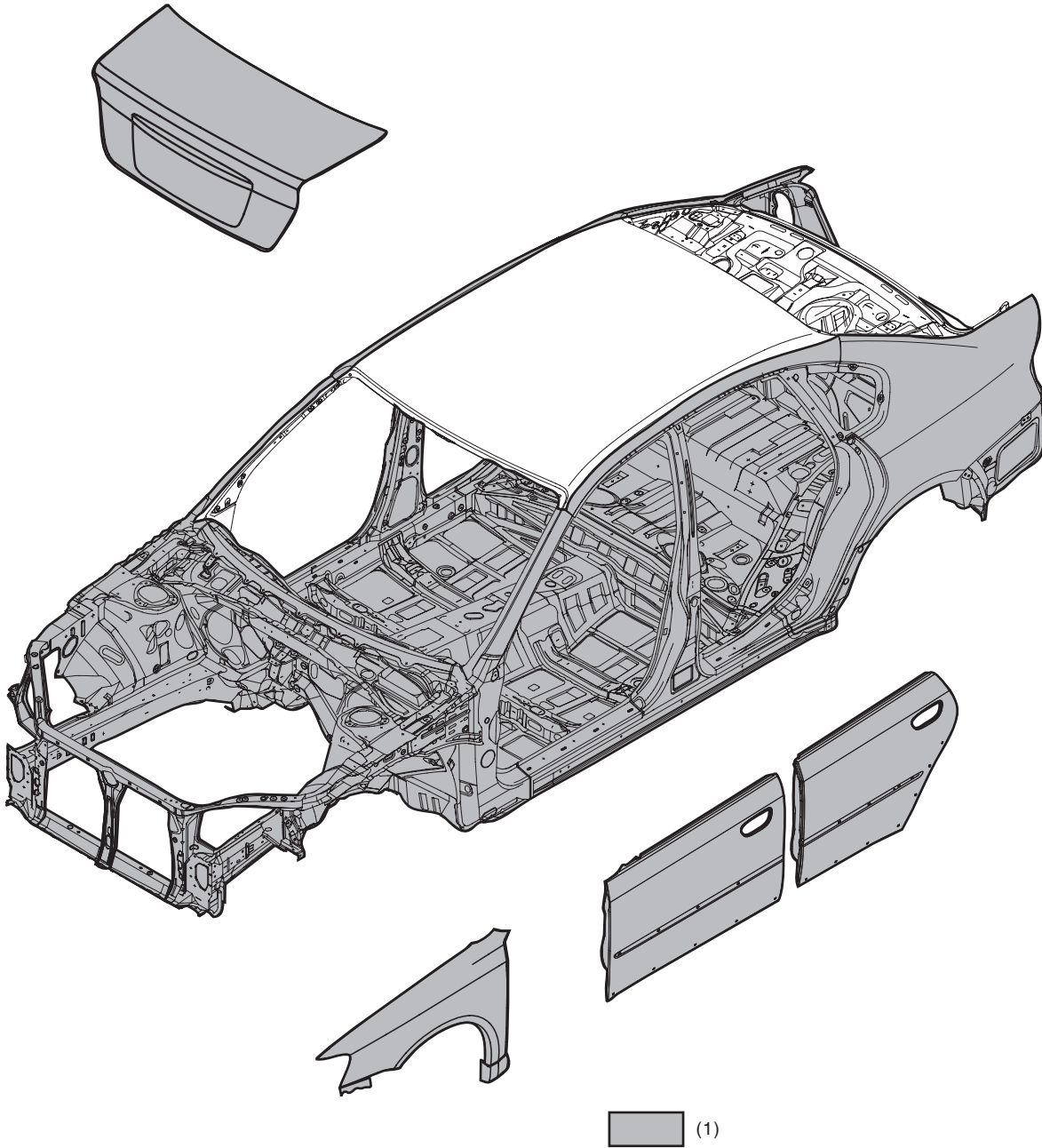


10. Galvanized Sheet Metal

A: SPECIFICATION



BS-01208

(1) Galvanized on both sides