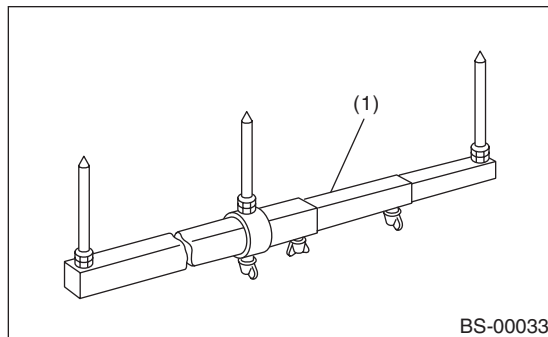


## 2. Datum Dimensions

### A: MEASUREMENT

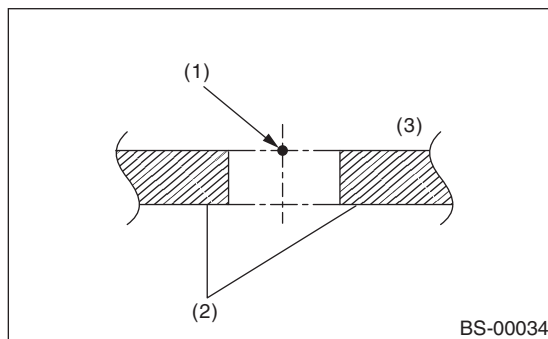
#### NOTE:

- Using a tram tracking gauge, measure all the dimensions.
- When using a tape measure, carefully measure dimensions without letting the tape measure sag or twist.
- Measure the linear dimensions between cores of holes.
- Suffixes “RH” and “LH” indicate right-hand and left-hand.



(1) Tram tracking gauge

- Measure at the center of the circle around the outside of the body panel.



- (1) Datum points
- (2) Body panel
- (3) Outside

### 1. CENTER STRUCTURE

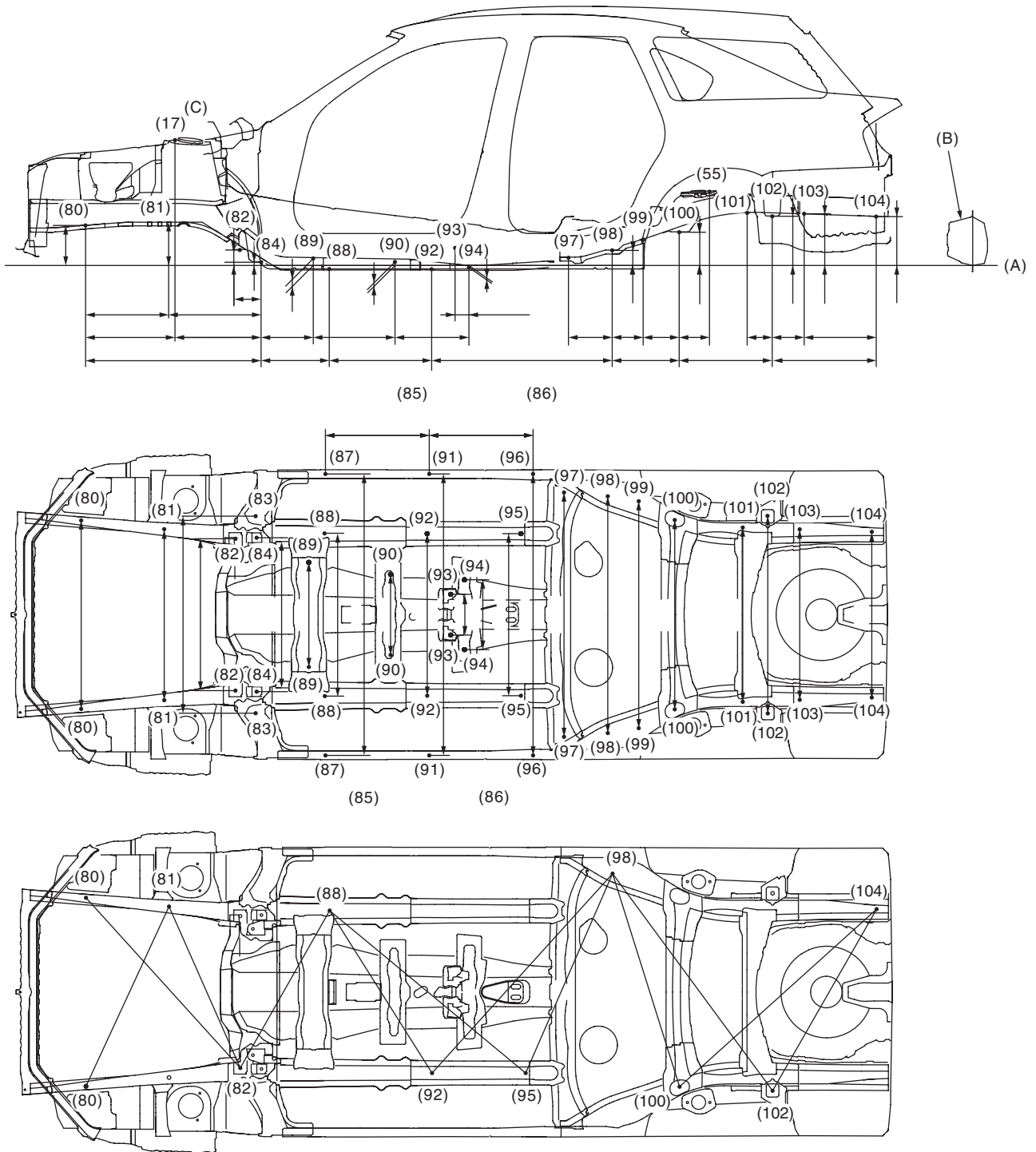
#### NOTE:

- Longitudinal dimensions are projected dimensions.
- The height dimensions are the vertical distances from the gauge point on the assumed horizontal line through the side sill flange joint (bending angle point).
- Diagonal dimensions are the actual dimensions between reference points. The values in brackets are projected dimensions for reference.

# Datum Dimensions

## BODY STRUCTURE

Unit: mm



BS-01530

# Datum Dimensions

## BODY STRUCTURE

(A) Standard line	(B) Side sill	(C) Upper face
(80) Gauge hole (symmetrical)	(89) Transmission crossmember mounting hole (symmetrical)	(97) Fuel protector mounting hole (symmetrical)
(81) Front crossmember mounting hole (symmetrical), Lower surface rear	(90) Gauge hole (symmetrical)	(98) Trailing arm mounting hole (symmetrical)
(82) (symmetrical), Lower surface rear	(91) Under cover mounting hole (symmetrical)	(99) Trailing arm mounting hole (symmetrical)
(83) Strut mount mounting hole (symmetrical)	(92) Under cover mounting hole (symmetrical)	(100) Rear suspension crossmember mounting hole (symmetrical)
(84) Strut mount mounting hole (symmetrical)	(93) Center bearing mounting hole (symmetrical)	(101) Canister hose mounting hole (symmetrical)
(85) Transmission crossmember mounting hole (symmetrical)	(94) Exhaust cover mounting hole (symmetrical)	(102) Rear suspension crossmember mounting hole (symmetrical)
(86) Drain hose mounting hole (symmetrical)	(95) Weight reduction hole (symmetrical)	(103) Gauge hole (symmetrical)
(87) Under cover mounting hole (symmetrical)	(96) Under cover mounting hole (symmetrical)	(104) Weight reduction hole (symmetrical)
(88) Under cover mounting hole (symmetrical)		

Point of measurement	Dimension mm (in)
Datum line to (80)	198 (7.80)
Datum line to (81)	212 (8.35)
Datum line to (82)	77 (3.03)
Datum line to (84)	17 (0.07)
Datum line to (89)	(4AT and MT) 35 (1.38) (5AT) 56 (2.20)
Datum line to (90)	18 (0.71)
Datum line to (94)	-9 (-0.35)
Datum line to (98)	75 (2.95)
Datum line to (100)	164 (6.46)
Datum line to (102)	243 (9.57)
Datum line to (103)	255 (10.04)
Datum line to (104)	241 (9.49)
(17) to (80)	439 (17.28)
(17) to (84)	423 (16.65)
(80) to (81)	408 (16.06)
(80) to (84)	862 (33.94)
(81) to (84)	454 (17.87)
(82) to (84)	104 (4.09)
(84) to (88)	335 (13.19)
(84) to (89)	(4AT and MT) 257 (10.12) (5AT) 357 (14.06)
(88) to (92)	503 (19.80)
(89) to (90)	302 (11.89)
(90) to (94)	363 (14.29)
(92) to (98)	887 (34.92)
(93) to (94)	68 (2.68)
(97) to (98)	215 (8.46)
(98) to (99)	152 (5.98)
(98) to (100)	329 (12.95)
(99) to (100)	177 (6.97)
(100) to (55)	149 (5.87)
(100) to (102)	457 (17.99)
(101) to (102)	123 (4.84)
(102) to (103)	157 (6.18)

Point of measurement	Dimension mm (in)
(102) to (104)	505 (19.88)
(103) to (104)	348 (13.70)
(80) RH to (80) LH	926 (36.46)
(81) RH to (81) LH	840 (33.07)
(82) RH to (82) LH	746 (29.37)
(83) RH to (83) LH	968 (38.11)
(84) RH to (84) LH	756 (29.76)
(87) RH to (87) LH	1,382 (54.41)
(87) to (91)	510 (20.08)
(88) RH to (88) LH	800 (31.50)
(89) RH to (89) LH	(4AT and MT) 529 (20.83) (5AT) 433 (17.05)
(90) RH to (90) LH	396 (15.59)
(91) RH to (91) LH	1,382 (54.41)
(91) to (96)	510 (20.08)
(92) RH to (92) LH	796 (31.34)
(93) RH to (93) LH	200 (7.87)
(94) RH to (94) LH	343 (13.50)
(95) RH to (95) LH	796 (31.34)
(96) RH to (96) LH	1,382 (54.51)
(97) RH to (97) LH	1,200 (47.24)
(98) RH to (98) LH	1,163 (45.49)
(99) RH to (99) LH	1,115 (43.90)
(100) RH to (100) LH	930 (36.61)
(101) RH to (101) LH	856 (33.70)
(102) RH to (102) LH	970 (38.19)
(103) RH to (103) LH	836 (32.91)
(104) RH to (104) LH	814 (32.05)
(85)	Height 86 (3.39), Width 620 (24.41)
(86)	Height 117 (4.61), Width 600 (23.62)

## Datum Dimensions

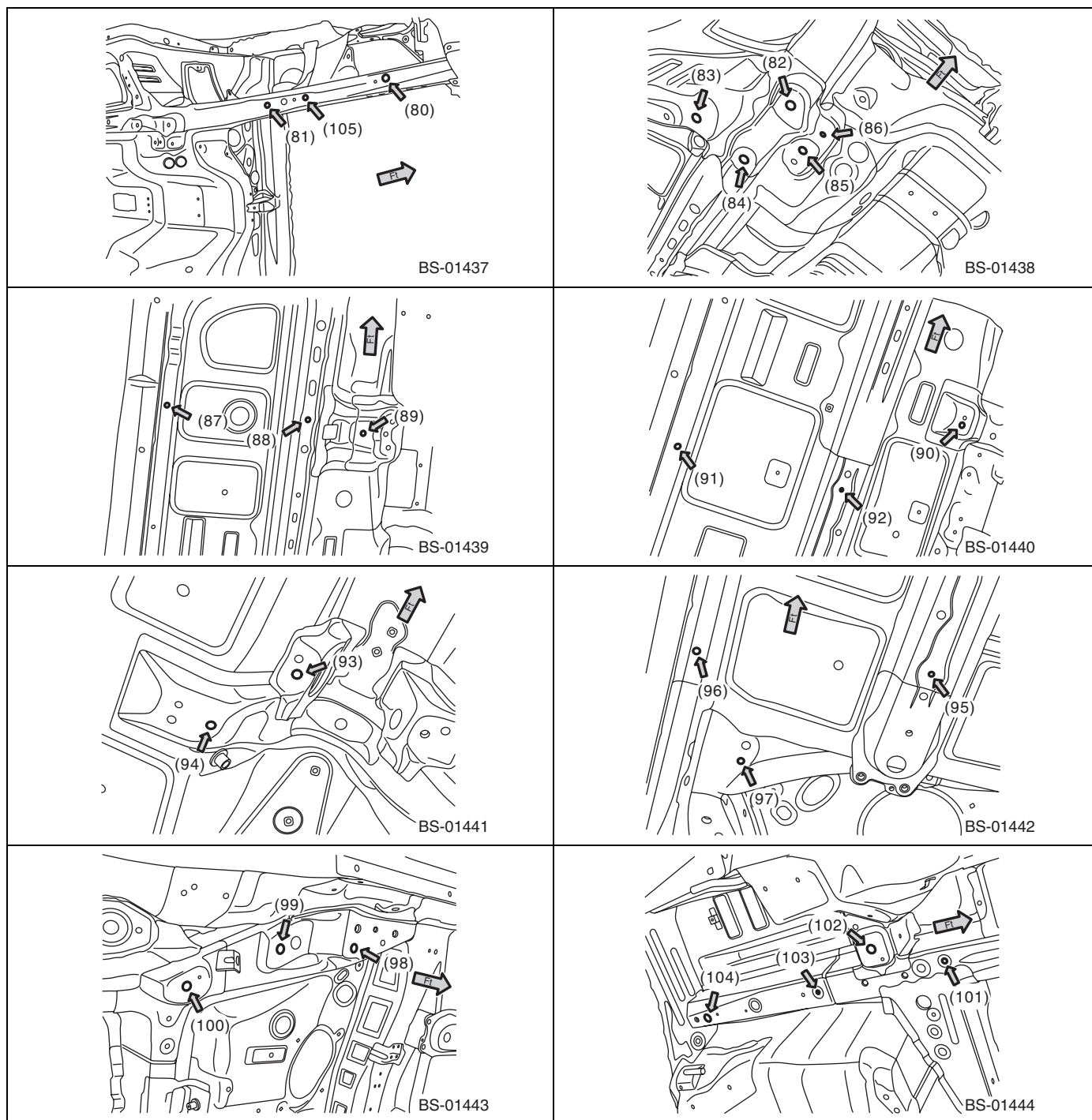
### BODY STRUCTURE

---

Point of measurement	Dimension/Projected Dimensions For Reference mm (in)
(80) RH to (82) LH	1,135 (44.68)/1,128 (44.41)
(80) LH to (81) RH	973 (38.31)/973 (38.31)
(81) RH to (82) LH	877 (34.53)/867 (34.13)
(82) LH to (88) LH	894 (35.20)/889 (35.00)
(88) RH to (92) LH	943 (37.13)/943 (37.13)
(88) RH to (95) LH	1,251 (49.25)/1,251 (49.25)
(92) LH to (98) RH	1,325 (52.17)/1,321 (52.01)
(95) LH to (98) RH	1,072 (42.20)/1,069 (42.09)
(98) RH to (100) LH	1,101 (43.35)/1,097 (43.19)
(98) RH to (102) LH	1,335 (52.56)/1,325 (52.17)
(100) LH to (104) RH	1,305 (51.38)/1,303 (51.30)
(102) LH to (104) RH	1,028 (40.47)/1,028 (40.47)

# Datum Dimensions

## BODY STRUCTURE



### NOTE:

For reference point (17) Strut mounting hole (symmetrical), refer to "Datum Dimensions". <Ref. to BS-8, FRONT STRUCTURE, MEASUREMENT, Datum Dimensions.>

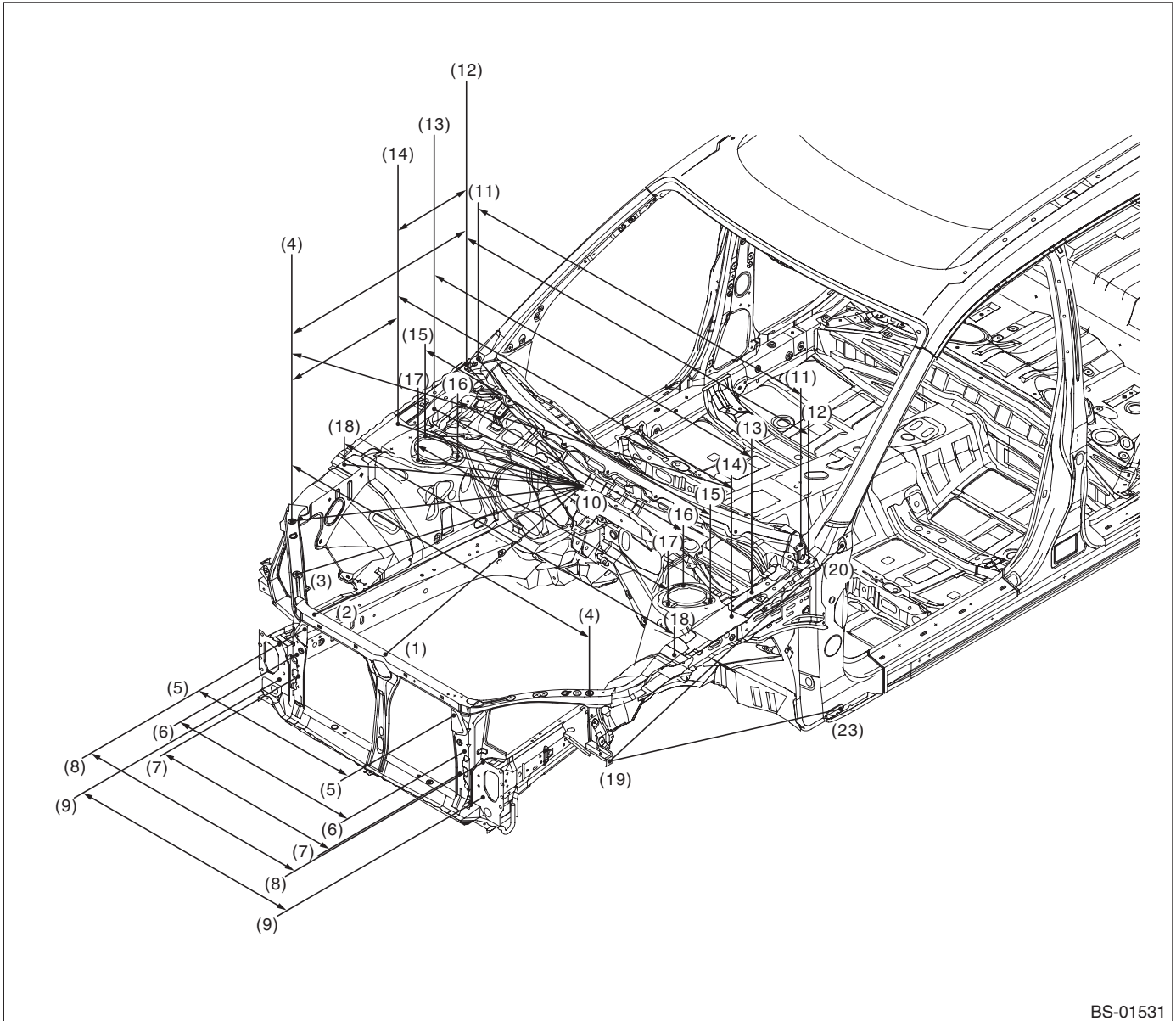
For reference point (55) Rear suspension mounting hole (symmetrical), refer to "Datum Dimensions". <Ref. to BS-11, INSIDE, MEASUREMENT, Datum Dimensions.>

# Datum Dimensions

## BODY STRUCTURE

### 2. FRONT STRUCTURE

- Common for wagon and sedan model



BS-01531

- |   |  |   |
|---|--|---|
| (1) Repair location hole (body center)                    | (9) Bumper beam mounting hole (symmetrical), lower side    | (16) Strut mount mounting hole (symmetrical), rear inside |
| (2) Radiator mounting hole                                | (10) Cowl panel mounting hole (body center)                | (17) Strut mount mounting hole (symmetrical), front       |
| (3) Headlight mounting hole (symmetrical)                 | (11) Fender mounting hole (symmetrical)                    | (18) Fender mounting hole (symmetrical)                   |
| (4) Reinforcement fender mounting hole (symmetrical)      | (12) Location hole (symmetrical)                           | (19) Fender mounting hole (symmetrical)                   |
| (5) Air conditioner condenser mounting hole (symmetrical) | (13) Hood hinge mounting hole (symmetrical), front         | (20) Fender mounting hole (symmetrical)                   |
| (6) Beam corner side mounting hole (symmetrical)          | (14) Fender extension mounting hole (symmetrical)          | (23) Fender mounting hole (symmetrical)                   |
| (7) Heat insulation cover mounting hole (symmetrical)     | (15) Strut mount mounting hole (symmetrical), rear outside |   |
| (8) Bumper beam mounting hole (symmetrical), upper side   |  |   |

# Datum Dimensions

## BODY STRUCTURE

Point of measurement	Datum Dimension mm (in)
(1) — (10)	893 (35.16)
(2) — (10)	948 (37.32)
(3) — (10)	934 (36.77)
(4) — (10)	918 (36.14)
(4) — (4)	1,314 (51.73)
(4) — (12)	882 (34.72)
(4) — (14)	557 (21.93)
(4) RH — (14) LH	1,498 (58.98)
(4) LH — (14) RH	1,498 (58.98)
(5) — (5)	658 (25.91)
(6) — (6)	740 (29.13)
(7) — (7)	700 (27.56)
(8) — (8)	900 (35.43)
(9) — (9)	900 (35.43)
(10) — (11)	755 (29.72)
(10) — (12)	794 (31.26)

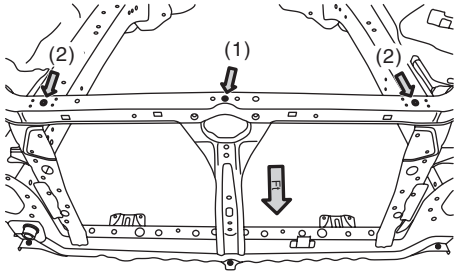
Point of measurement	Datum Dimension mm (in)
(10) — (13)	707 (27.83)
(10) — (14)	745 (29.33)
(10) — (15)	639 (25.16)
(10) — (16)	512 (20.16)
(10) — (17)	585 (23.03)
(10) — (18)	804 (31.65)
(11) — (11)	1,422 (55.98)
(12) — (12)	1,508 (59.37)
(12) — (14)	326 (12.83)
(13) — (13)	1,402 (55.20)
(14) — (14)	1,472 (57.95)
(15) — (15)	1,258 (49.53)
(16) — (16)	995 (39.17)
(17) — (17)	1,104 (43.46)
(18) — (18)	1,456 (57.32)
(19) — (20)	1,064 (41.89)
(19) — (23)	1,035 (40.75)

### NOTE:

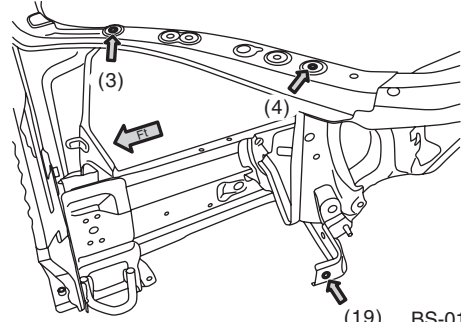
- The reference points (1) and (10) are at the body center, while the other points are left-right symmetrical.
- The dimensions are the actual dimensions between the reference points.

# Datum Dimensions

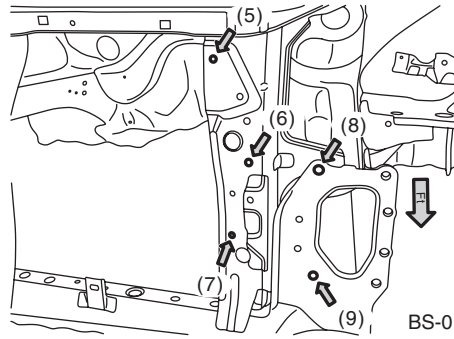
## BODY STRUCTURE



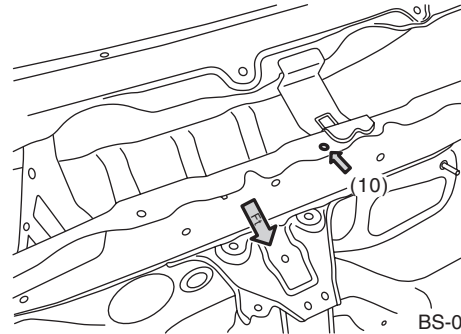
BS-01445



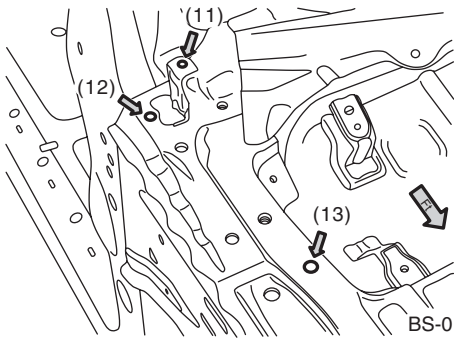
(19) BS-01446



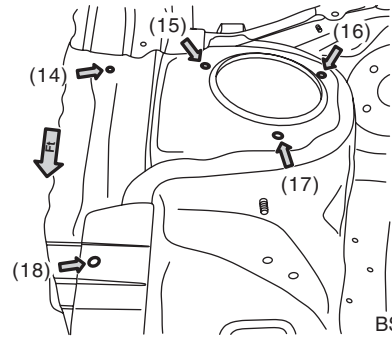
BS-01447



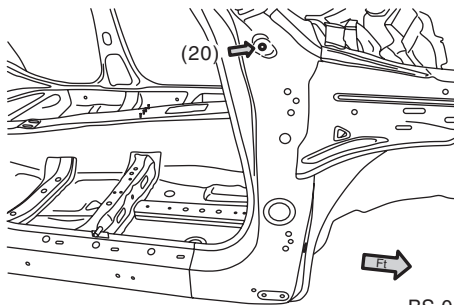
BS-01491



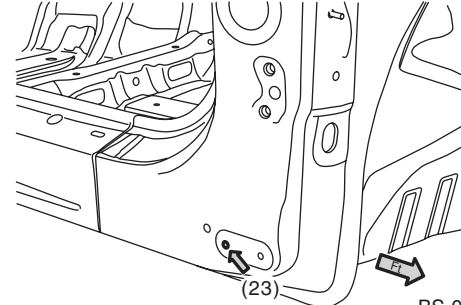
BS-01492



BS-01450



BS-01451

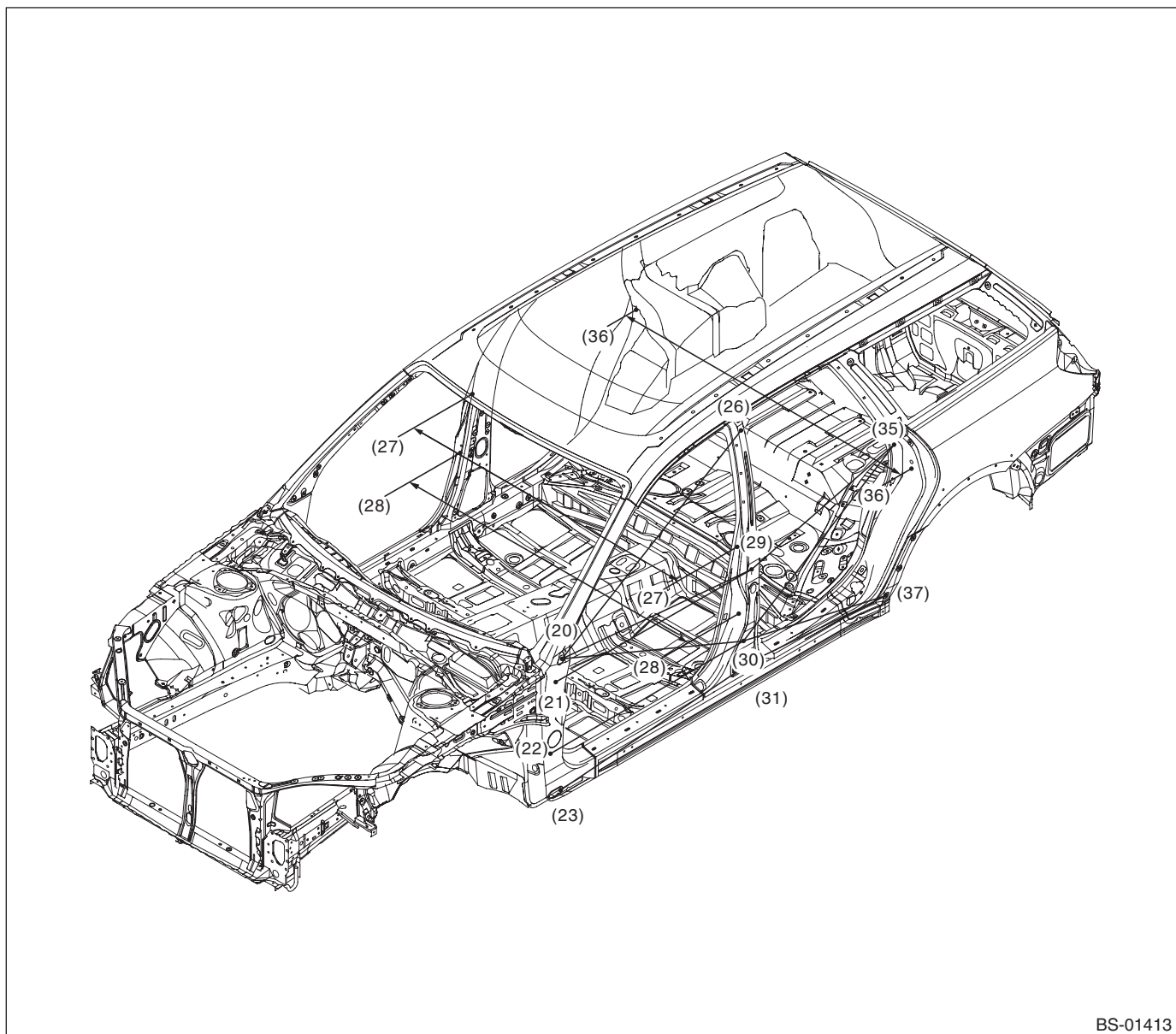


BS-01452



## 3. INSIDE

- Common for wagon and sedan model, 1



BS-01413

- |   |  |  |
|---|--|--|
| (20) Fender mounting hole (symmetrical)                             | (27) Weatherstrip mounting hole (symmetrical)          | (31) Gauge hole (symmetrical)                      |
| (21) Front door hinge upper mounting hole (symmetrical), upper side | (28) Front door striker mounting hole (symmetrical)    | (35) Weatherstrip mounting hole (symmetrical)      |
| (22) Front door hinge lower mounting hole (symmetrical), upper side | (29) Rear door hinge upper mounting hole (symmetrical) | (36) Rear door striker mounting hole (symmetrical) |
| (23) Fender mounting hole (symmetrical)                             | (30) Rear door hinge lower mounting hole (symmetrical) | (37) Protector mounting hole (symmetrical)         |
| (26) Gauge hole (symmetrical)                                       |  |  |

# Datum Dimensions

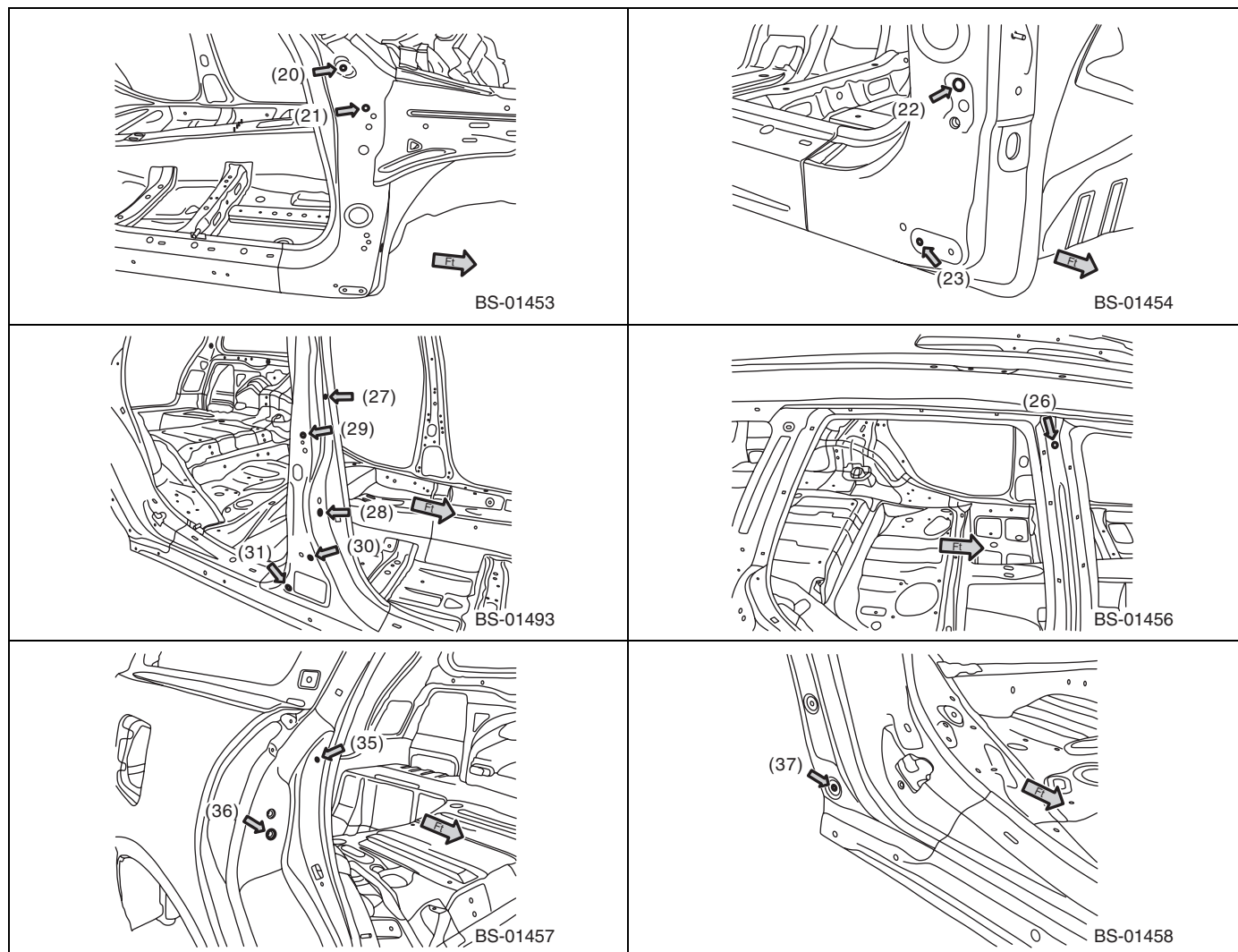
## BODY STRUCTURE

Point of measurement	Datum Dimension mm (in)
(20) — (26)	1,232 (48.50)
(20) — (29)	1,034 (40.71)
(20) — (30)	1,066 (41.97)
(21) — (29)	1,080 (42.52)
(22) — (30)	1,055 (41.54)
(23) — (31)	1,070 (42.13)

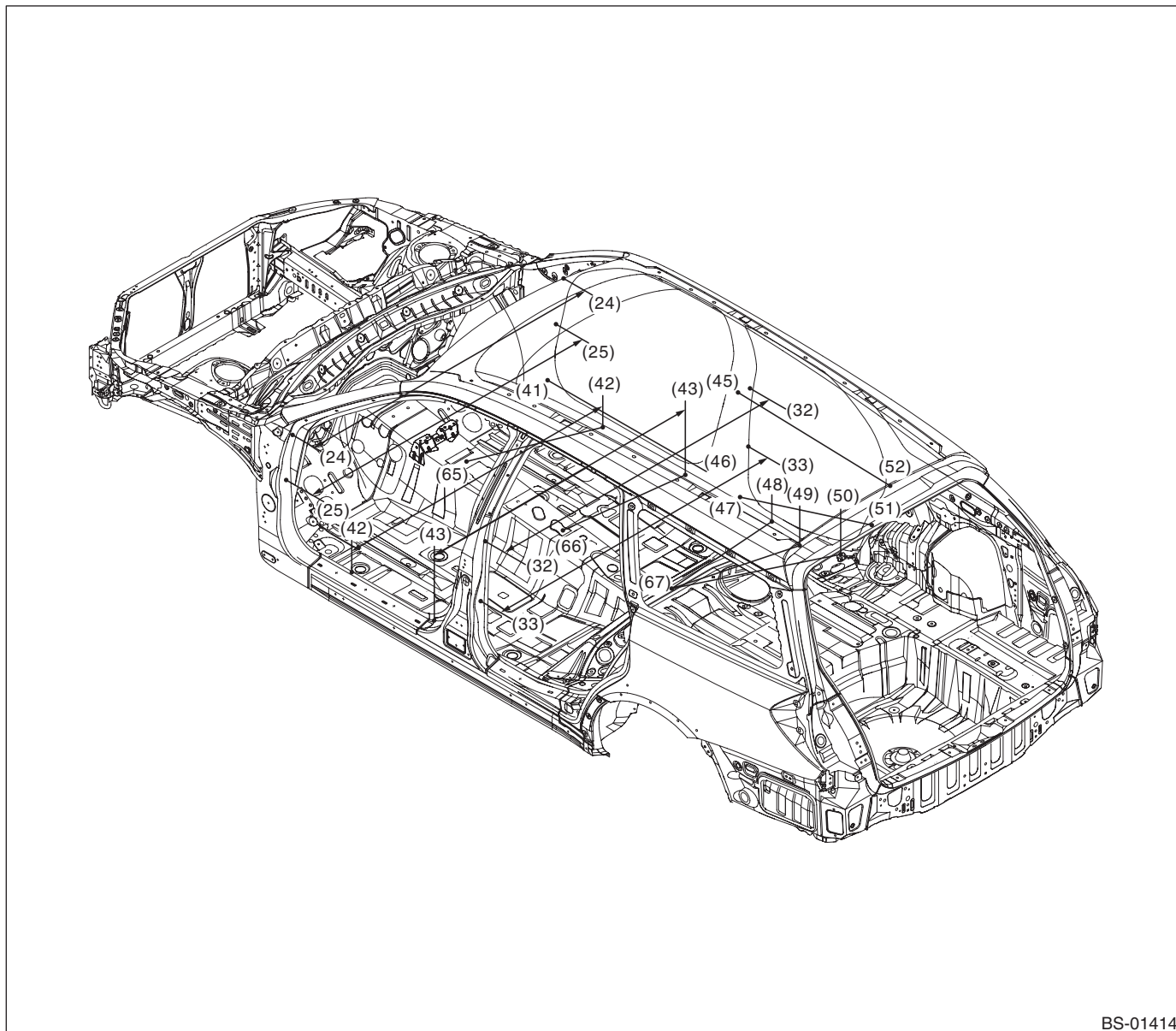
Point of measurement	Datum Dimension mm (in)
(27) — (27)	1,448 (57.01)
(28) — (28)	1,523 (59.96)
(29) — (35)	863 (33.98)
(30) — (35)	1,002 (39.45)
(30) — (37)	753 (29.65)
(31) — (37)	679 (26.73)
(36) — (36)	1,506 (59.29)

### NOTE:

- All reference points are left-right symmetrical.
- The dimensions are the actual dimensions between the reference points.



- Common for wagon and sedan model, 2



BS-01414

(24) Weatherstrip mounting hole (symmetrical)	(43) Harness clip mounting hole (symmetrical)	(50) Side sill cover mounting hole (symmetrical)
(25) Front door checker mounting hole (symmetrical)	(45) Trim clip mounting hole (symmetrical)	(51) Gauge hole (symmetrical)
(32) Weatherstrip mounting hole (symmetrical)	(46) Trim clip mounting hole (symmetrical)	(52) Trim clip mounting hole (symmetrical)
(33) Rear door checker mounting hole (symmetrical)	(47) Harness clip mounting hole (symmetrical)	(65) Airbag unit mounting hole (body center)
(41) Side sill cover mounting hole (symmetrical)	(48) Harness clip mounting hole (symmetrical)	(66) Side sill cover mounting hole (symmetrical)
(42) Harness clip mounting hole (symmetrical)	(49) Harness clip mounting hole (symmetrical)	(67) Floor mat mounting hole (body center)

# Datum Dimensions

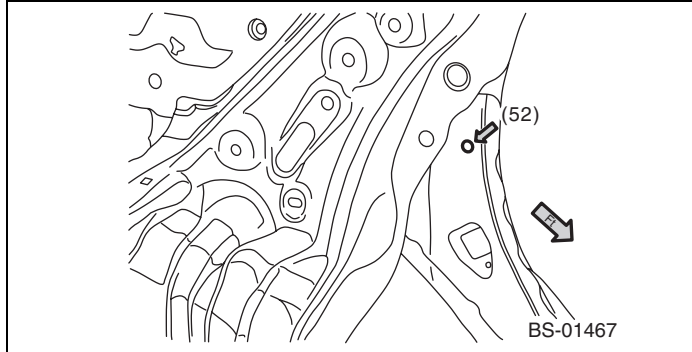
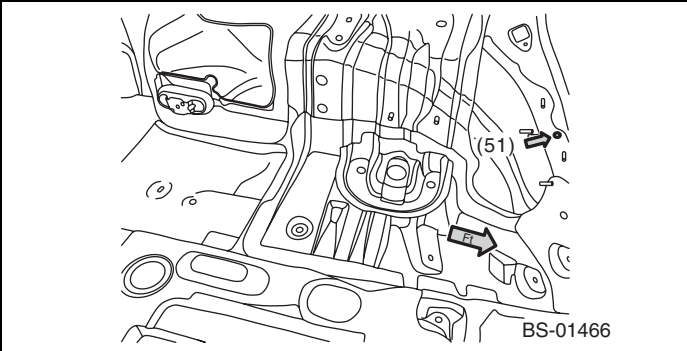
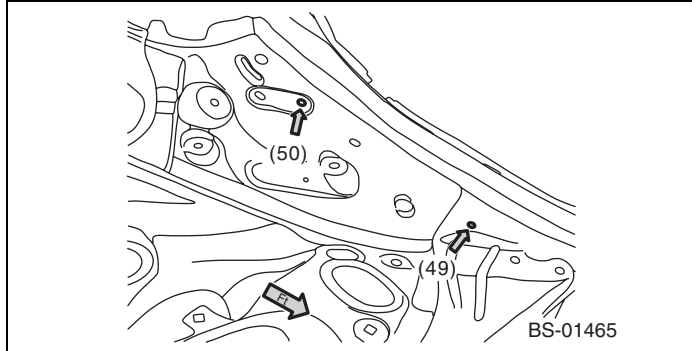
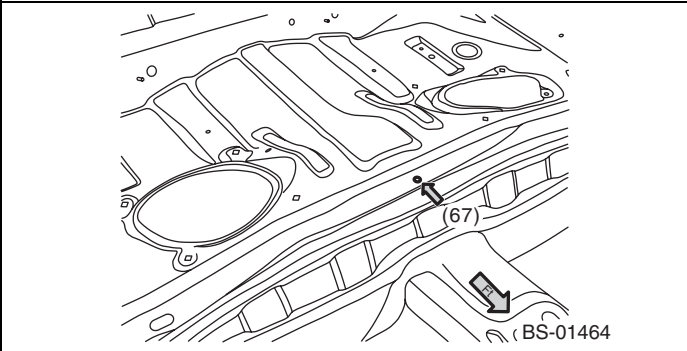
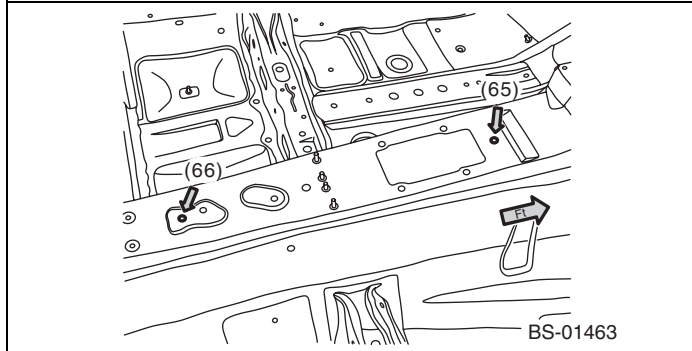
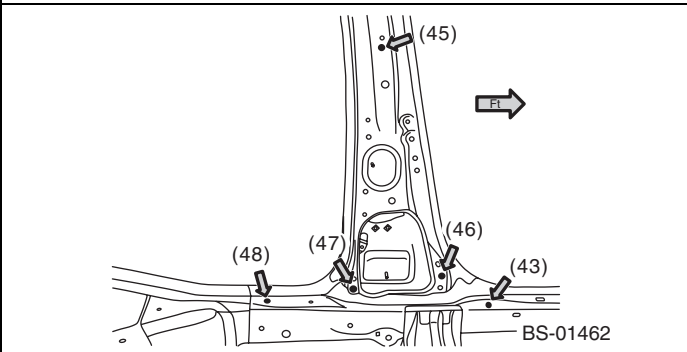
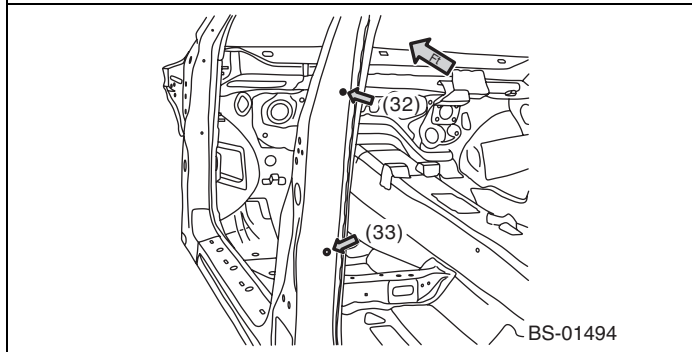
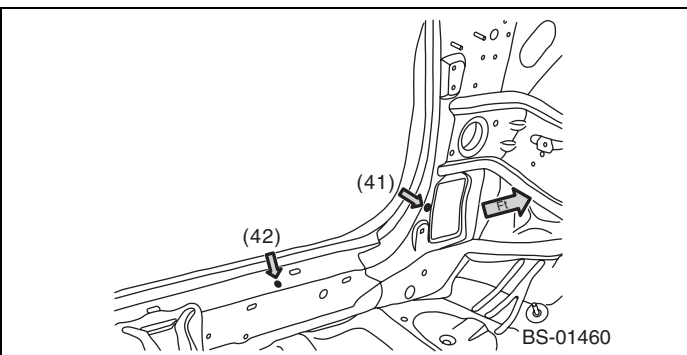
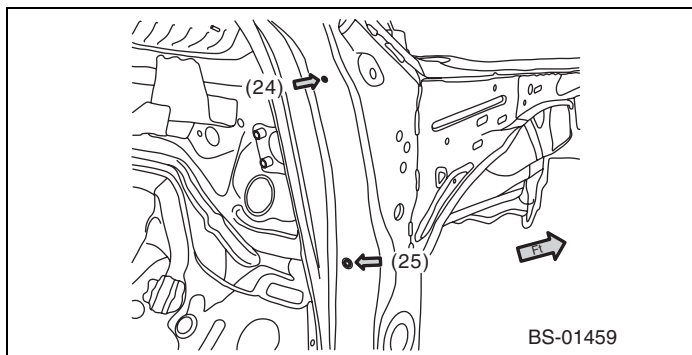
## BODY STRUCTURE

---

Point of measurement	Datum Dimension mm (in)
(24) — (24)	1,482 (58.35)
(25) — (25)	1,476 (58.11)
(32) — (32)	1,448 (57.01)
(33) — (33)	1,464 (57.64)
(41) — (46)	863 (33.98)
(42) — (42)	1,373 (54.06)
(42) — (65)	706 (27.80)
(43) — (43)	1,373 (54.06)
(43) — (66)	693 (27.28)
(45) — (52)	838 (32.99)
(47) — (51)	740 (29.13)
(48) — (67)	711 (27.99)
(49) — (67)	649 (25.55)
(50) — (67)	704 (27.72)

### NOTE:

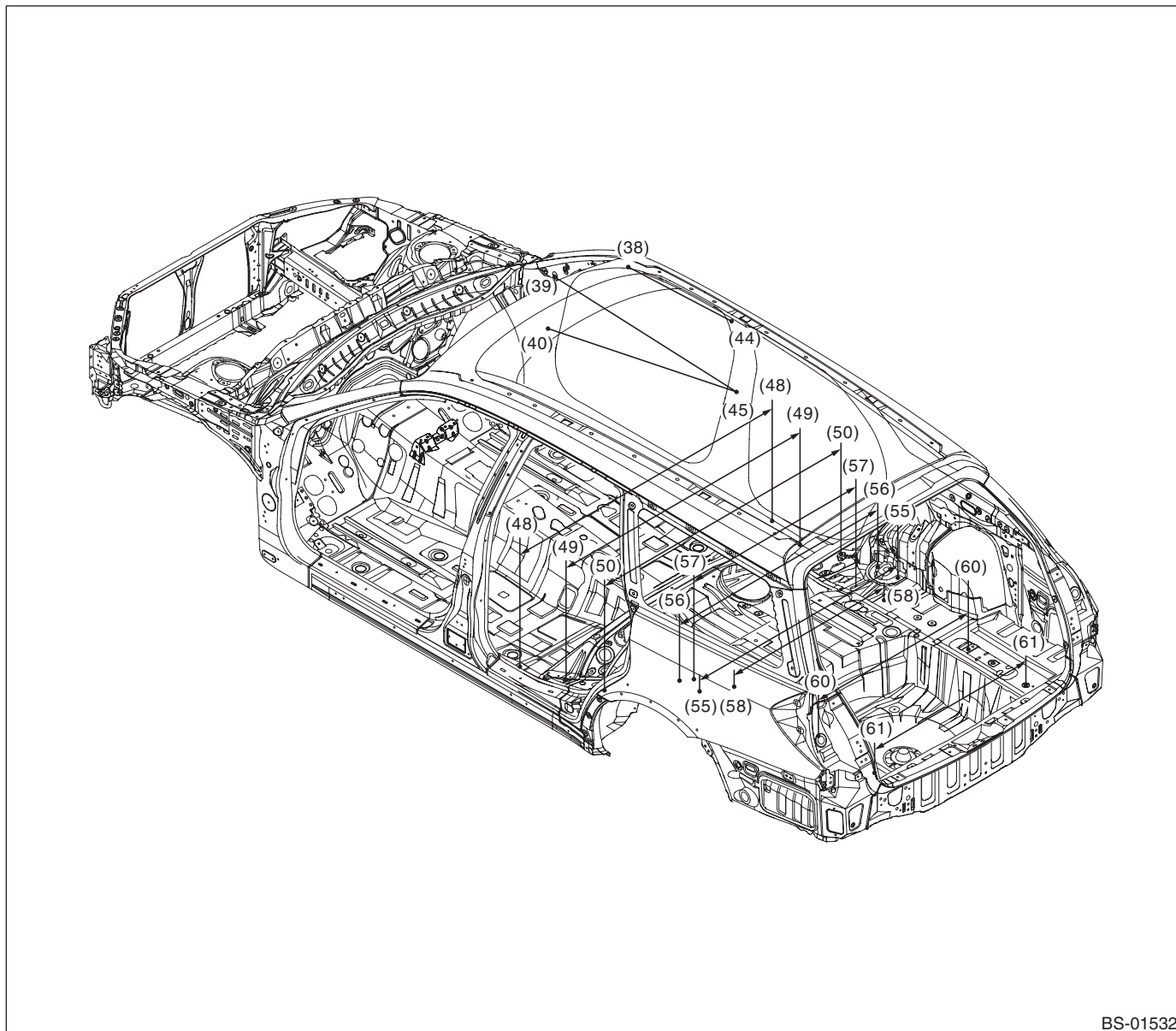
- The reference points (65), (66), and (67) are at the body center, while the other points are left-right symmetrical.
- The dimensions are the actual dimensions between the reference points.



# Datum Dimensions

## BODY STRUCTURE

- Common for wagon and sedan model, 3



BS-01532

- |  |  |   |
|--|--|---|
| (38) Trim clip mounting hole (symmetrical)     | (48) Harness clip mounting hole (symmetrical)          | (56) Rear suspension mounting hole (symmetrical), front |
| (39) ED hole (symmetrical)                     | (49) Harness clip mounting hole (symmetrical)          | (57) Rear seat hinge mounting hole (symmetrical)        |
| (40) Hood lock lever arrest hole (symmetrical) | (50) Side sill cover mounting hole (symmetrical)       | (58) Gauge hole (symmetrical)                           |
| (44) Trim clip mounting hole (symmetrical)     | (55) Rear suspension mounting hole (symmetrical), rear | (60) Gauge hole (symmetrical)                           |
| (45) Trim clip mounting hole (symmetrical)     |  | (61) Gauge hole (symmetrical)                           |



# Datum Dimensions

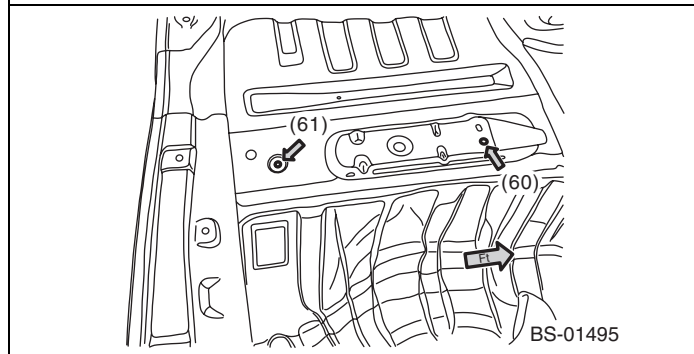
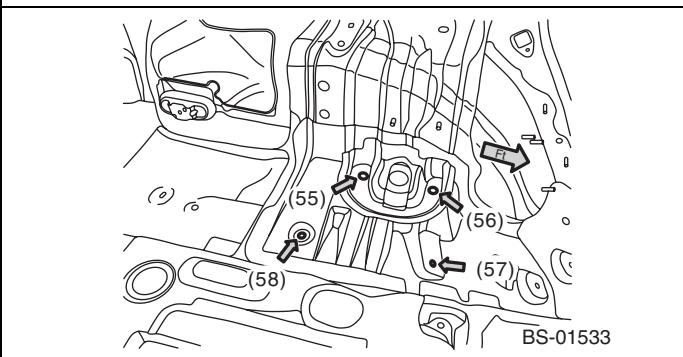
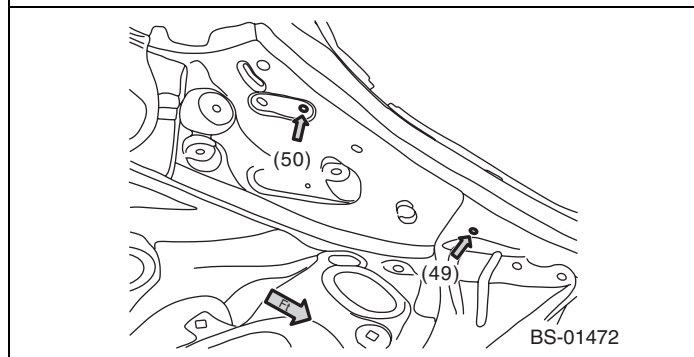
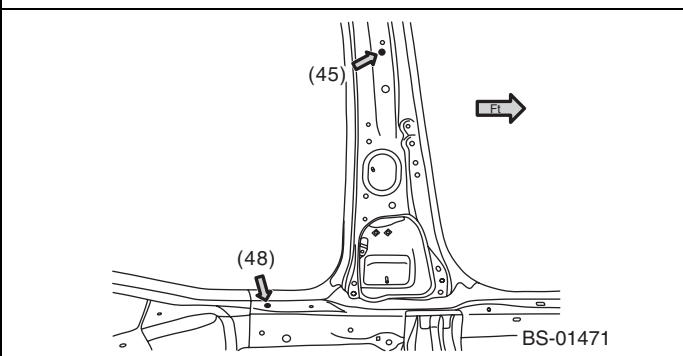
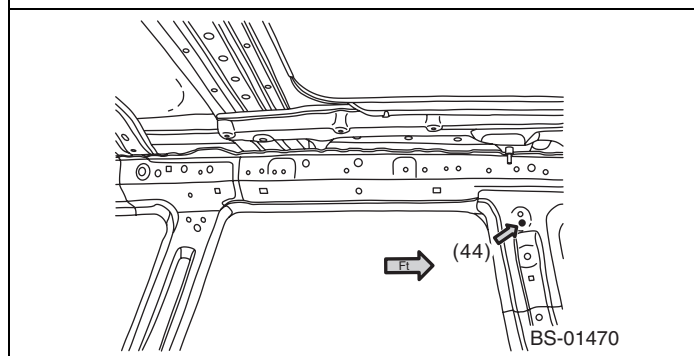
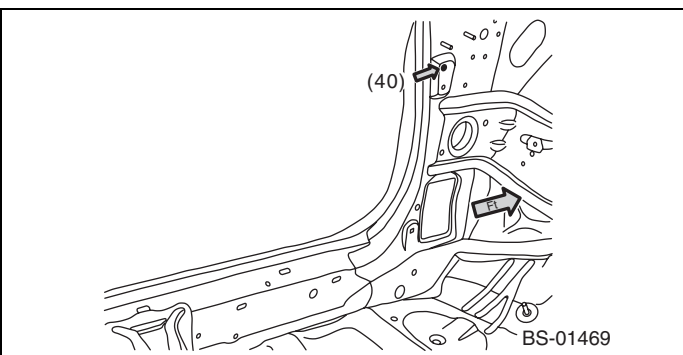
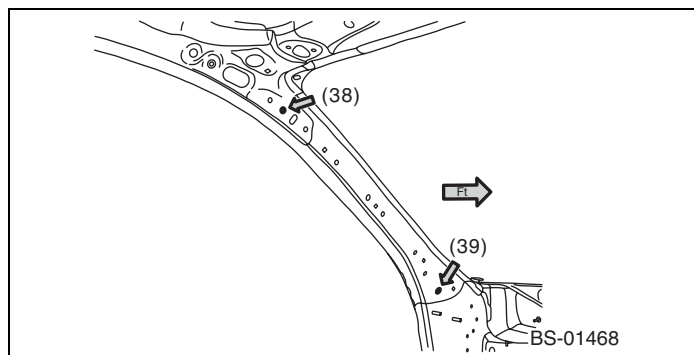
## BODY STRUCTURE

Point of measurement	Datum Dimension mm (in)
(38) — (44)	586 (23.07)
(39) — (45)	993 (39.09)
(40) — (45)	1,043 (41.06)
(48) — (48)	1,380 (54.33)
(49) — (49)	1,280 (50.39)
(50) — (50)	1,294 (50.94)

Point of measurement	Datum Dimension mm (in)
(55) — (55)	1,084 (42.68)
(56) — (56)	1,090 (42.91)
(57) — (57)	886 (34.88)
(58) — (58)	820 (32.28)
(60) — (60)	820 (32.28)
(61) — (61)	840 (33.07)

### NOTE:

- All reference points are left-right symmetrical.
- The dimensions are the actual dimensions between the reference points.

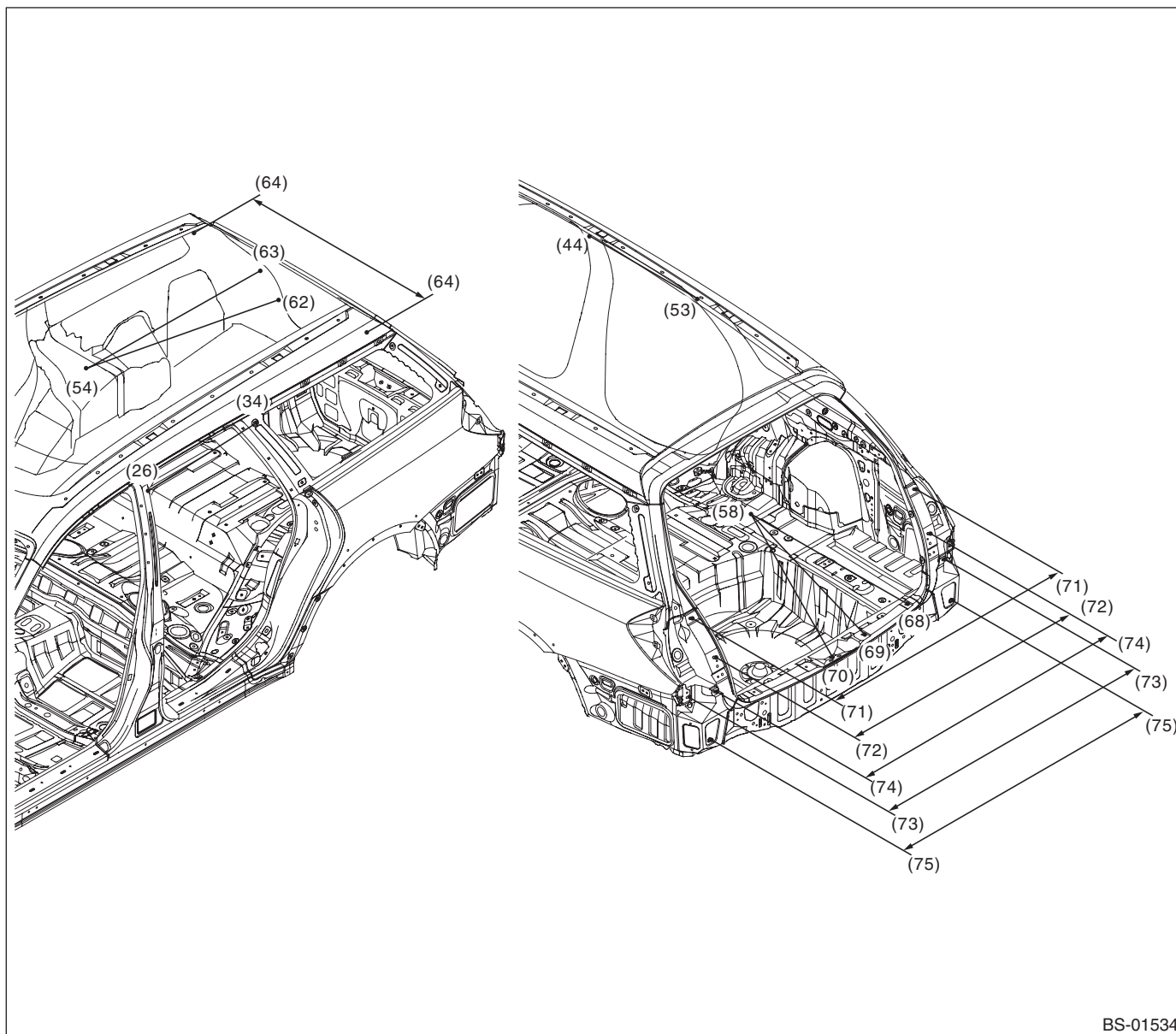


# Datum Dimensions

## BODY STRUCTURE

### 4. REAR

- Wagon model



BS-01534

- |   |   |  |
|---|---|--|
| (26) Gauge hole (symmetrical)                       | (63) Trim clip mounting hole (symmetrical)    | (71) Combination light mounting hole (symmetrical) |
| (34) Rear quarter glass mounting hole (symmetrical) | (64) Harness clip mounting hole (symmetrical) | (72) Buffer mounting hole (symmetrical)            |
| (44) Trim clip mounting hole (symmetrical)          | (68) Trim clip mounting hole (symmetrical)    | (73) Bumper mounting hole (symmetrical)            |
| (53) Trim clip mounting hole (symmetrical)          | (69) Trim clip mounting hole (symmetrical)    | (74) Bracket corner mounting hole (symmetrical)    |
| (54) Rear seat striker mounting hole (symmetrical)  | (70) Repair location hole (body center)       | (75) Gauge hole (symmetrical)                      |
| (58) Gauge hole (symmetrical)                       |   |  |
| (62) Trim clip mounting hole (symmetrical)          |   |  |



# Datum Dimensions

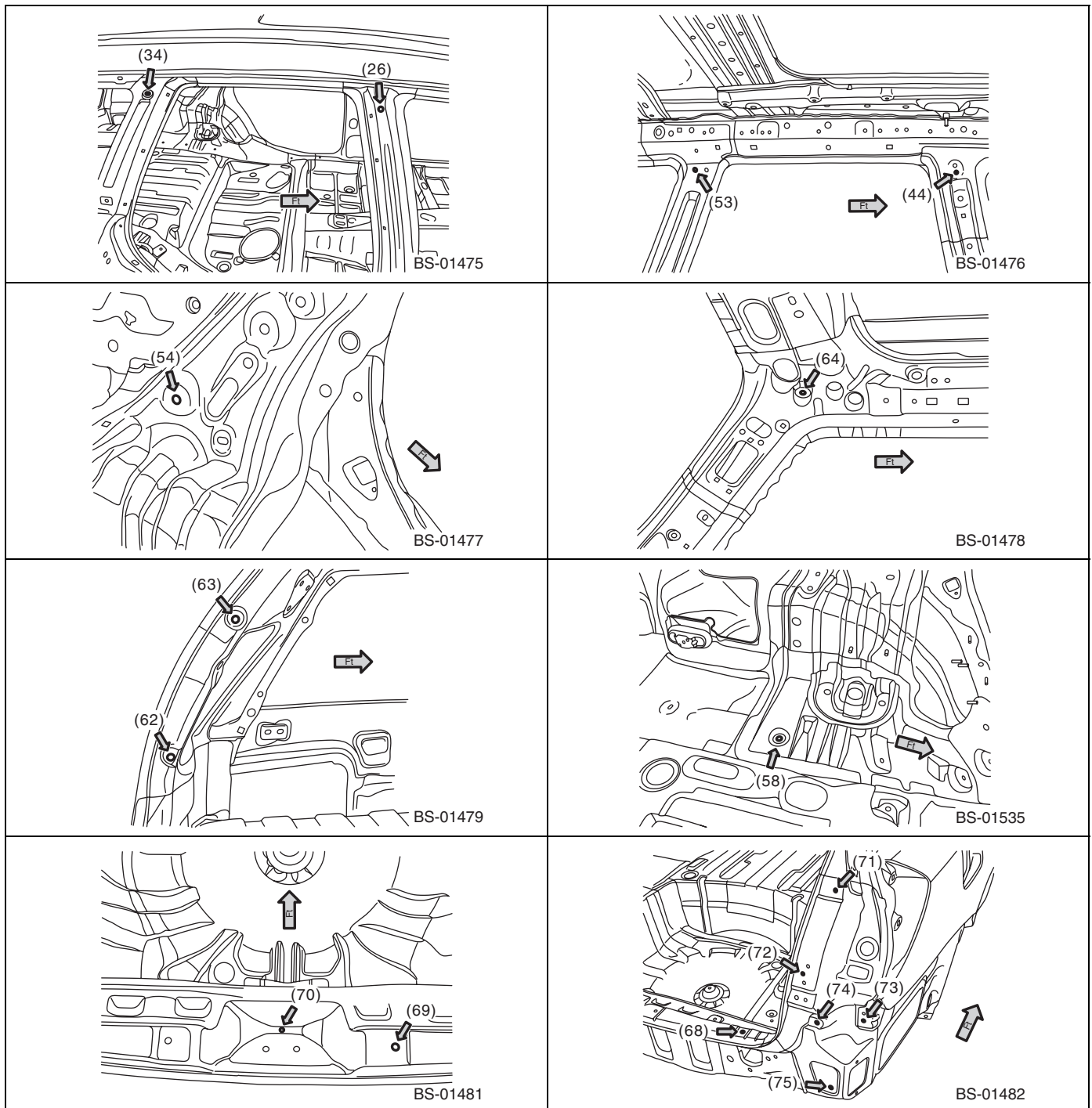
## BODY STRUCTURE

Point of measurement	Datum Dimension mm (in)
(26) — (34)	613 (24.13)
(44) — (53)	591 (23.27)
(54) — (62)	969 (38.15)
(54) — (63)	884 (34.80)
(58) — (68)	900 (35.43)
(58) — (69)	958 (37.72)

Point of measurement	Datum Dimension mm (in)
(58) — (70)	990 (38.98)
(64) — (64)	944 (37.17)
(71) — (71)	1,224 (48.19)
(72) — (72)	1,173 (46.18)
(73) — (73)	1,438 (56.61)
(74) — (74)	1,250 (49.21)
(75) — (75)	1,320 (59.97)

### NOTE:

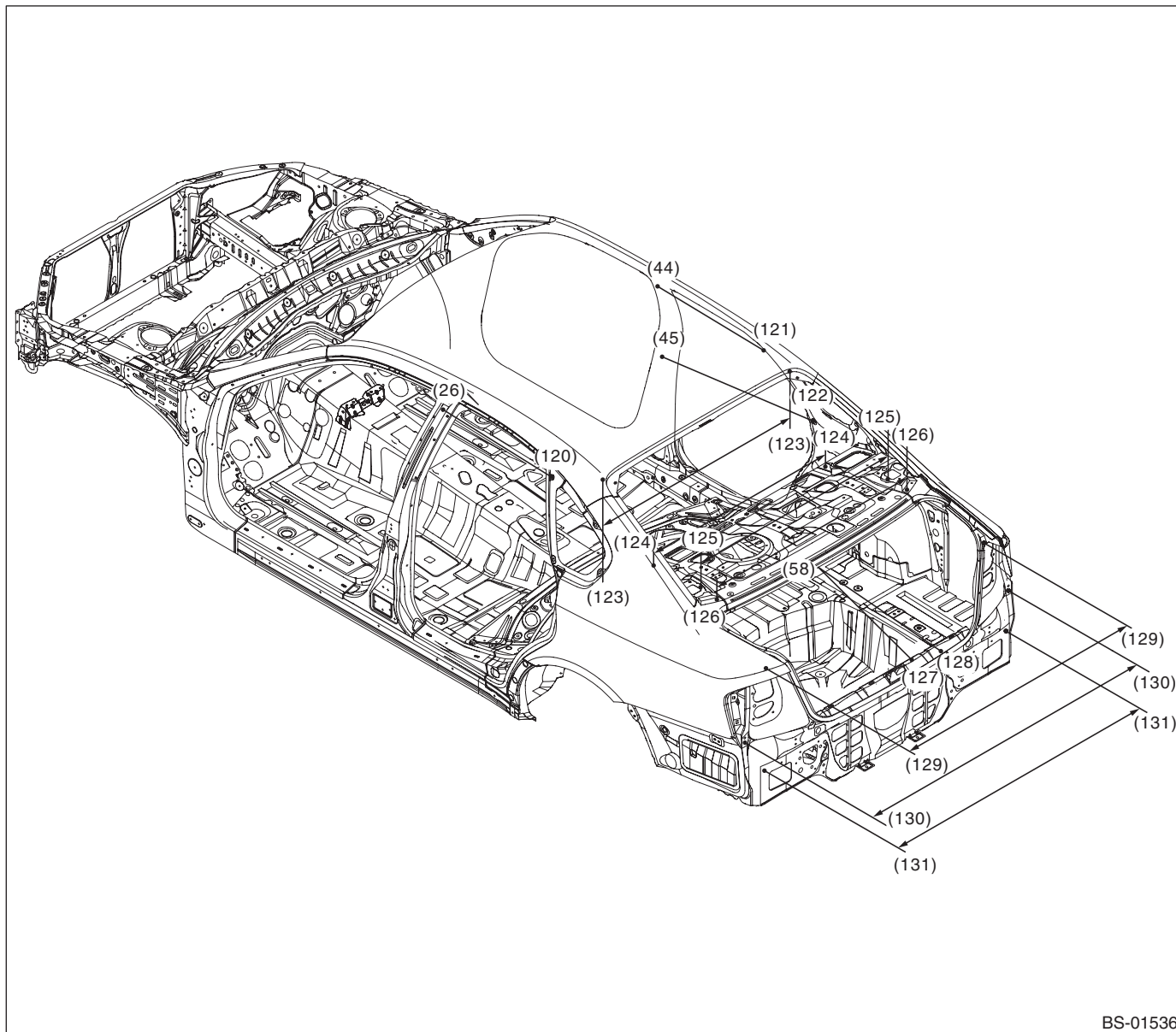
- The reference point (70) is at the body center, while the other points are left-right symmetrical.
- The dimensions are the actual dimensions between the reference points.



# Datum Dimensions

## BODY STRUCTURE

- Sedan model



BS-01536

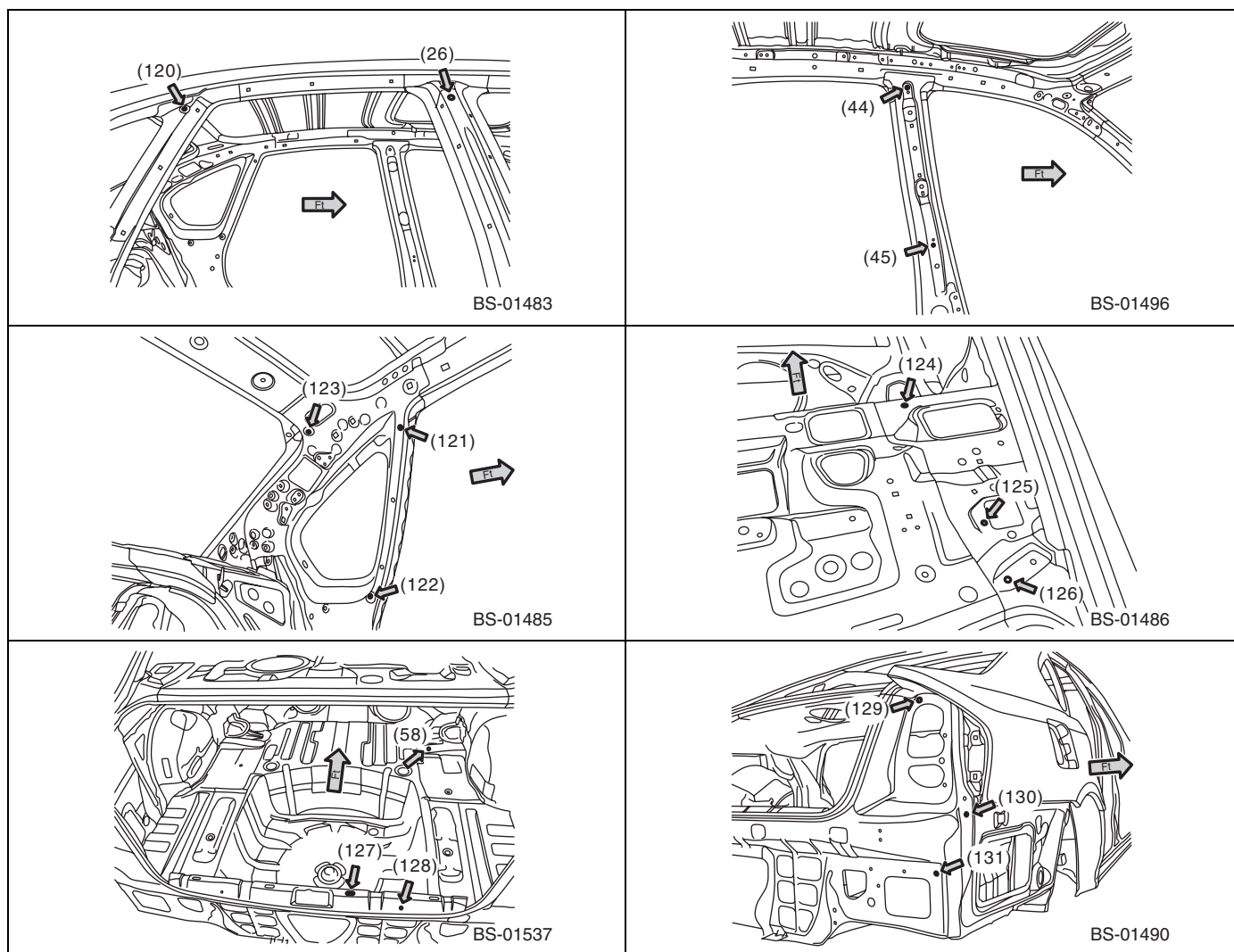
(26) Gauge hole (symmetrical)	(122) Trim clip mounting hole (symmetrical)	(126) Gauge hole (symmetrical)
(44) Trim clip mounting hole (symmetrical)	(123) Sunroof drain hose clip mounting hole (symmetrical)	(127) Trim clip mounting hole (symmetrical)
(45) Trim clip mounting hole (symmetrical)	(124) Trim clip mounting hole (symmetrical)	(128) ED hole (symmetrical)
(58) Gauge hole (symmetrical)	(125) Harness clip mounting hole (symmetrical)	(129) Combination light mounting hole
(120) Six light glass mounting hole (symmetrical)		(130) Bumper bracket mounting hole (symmetrical)
(121) Trim clip mounting hole (symmetrical)		(131) ED hole (symmetrical)

# Datum Dimensions

Point of measurement	Datum Dimension mm (in)
(26) — (120)	598 (23.54)
(44) — (121)	570 (22.44)
(45) — (122)	835 (32.87)
(58) — (127)	916 (36.06)
(58) — (128)	904 (35.59)
(123) — (123)	1,024 (40.31)
(124) — (124)	940 (37.01)
(125) — (125)	1,024 (40.31)
(126) — (126)	1,040 (40.94)
(129) — (129)	1,191 (46.89)
(130) — (130)	1,442 (56.77)
(131) — (131)	1,322 (52.05)

**NOTE:**

- All reference points are left-right symmetrical.
- The dimensions are the actual dimensions between the reference points.



# Datum Dimensions

BODY STRUCTURE

---

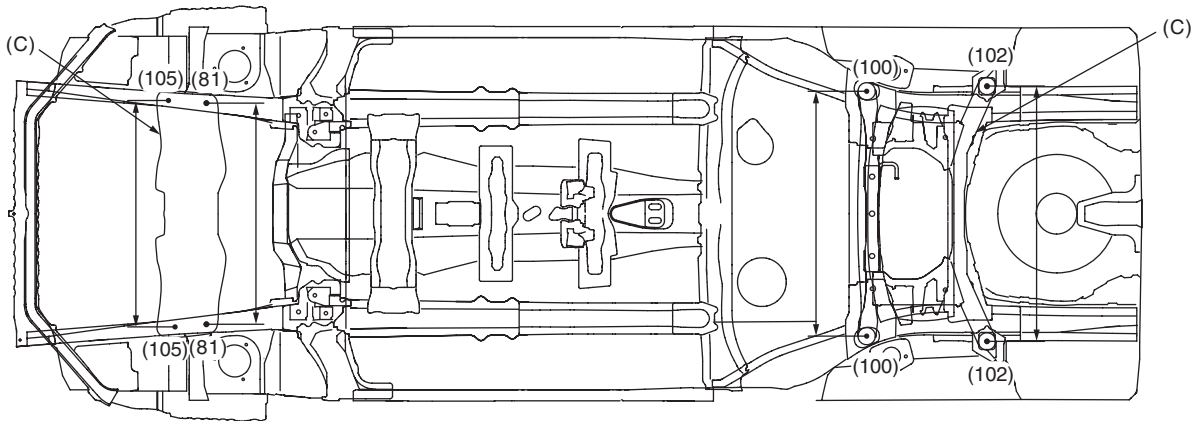
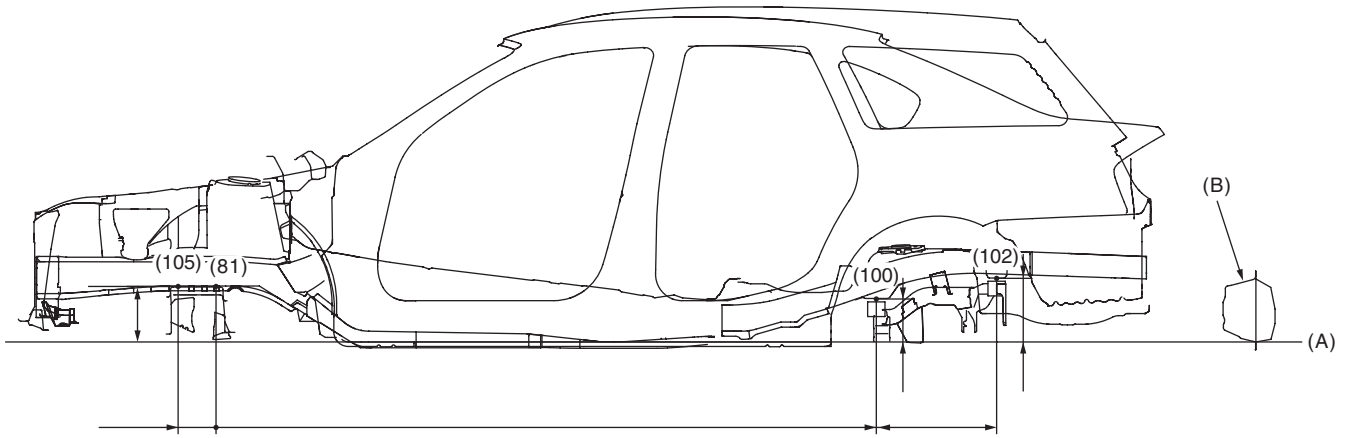
## 5. SUSPENSION MOUNT

NOTE:

- Longitudinal dimensions are projected dimensions.
- The height dimensions are the vertical distances from the gauge point on the assumed horizontal line through the side sill flange joint (bending angle point).
- For the reference point positions, refer to "Datum Dimensions". <Ref. to BS-3, CENTER STRUCTURE, MEASUREMENT, Datum Dimensions.>

# Datum Dimensions

BODY STRUCTURE



BS-01418

(A) Standard line

(B) Side sill

(C) Crossmember

(81) Front crossmember mounting hole (symmetrical), rear

(102) Rear suspension mounting hole (symmetrical)

(105) Front crossmember mounting hole (symmetrical), front

(100) Rear suspension mounting hole (symmetrical)