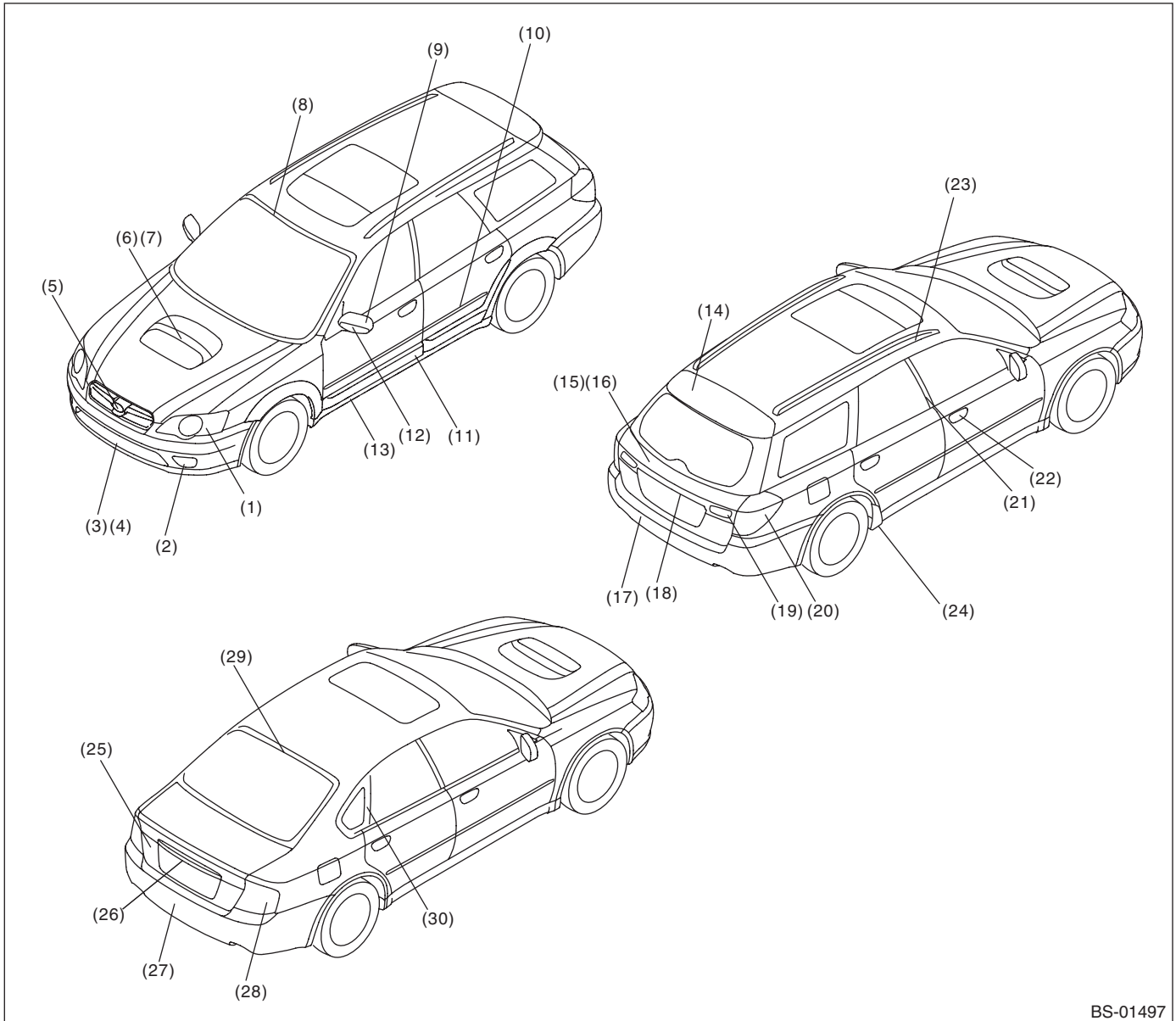


Plastic Parts and Materials

BODY STRUCTURE

3. Plastic Parts and Materials

A: SPECIFICATION



BS-01497

- | | | |
|---------------------------|-----------------------------|-----------------------------|
| (1) Headlight | (11) Side Garnish | (21) Center pillar cover |
| (2) Front fog light | (12) Side turn light | (22) Door handle |
| (3) Front bumper | (13) Side spoiler | (23) Roof rail |
| (4) Air intake cover | (14) Rear Spoiler | (24) Rear Quarter Protector |
| (5) Front grille | (15) Rear garnish | (25) Trunk garnish |
| (6) Turbo grille | (16) License plate light | (26) License plate light |
| (7) Hood duct inner | (17) Rear bumper | (27) Rear bumper |
| (8) Front window moulding | (18) Rear gate handle | (28) Rear combination light |
| (9) Door mirror | (19) Back-up light | (29) Rear window moulding |
| (10) Side protector | (20) Rear combination light | (30) Six light moulding |

Plastic Parts and Materials

BODY STRUCTURE

- Wagon model/Common for wagon and sedan model

No.	Part name		Material
(1)	Headlight	Lens	PC
		Housing	PP
		Extension	PBT + PET
(2)	Front fog light (standard)	Housing	PET
	Front fog light (OUTBACK)	Lens	PC
		Reflector	UP - GF10
		Bracket	PP - GF30
(3)	Front bumper	Face	PP
		EA foam	Foamed PP
		Fog light cover	PP
		Hook cover	PP
		Bumper cover (OUTBACK)	PP
(4)	Air intake cover		PP
(5)	Front grille		ABS
(6)	Turbo grille		PA + PPE
(7)	Hood duct inner		PP + EPDM
(8)	Front window moulding		PVC
(9)	Door mirror	Body	ASA
		Inner cover	AES
		Outer cover	ABS
		Mirror holder	PP
(10)	Side protector		PP
(11)	Side Garnish	Door body	PC + PET
		Other than door body	PP
		Side sill end cover	PP + EPDM
(12)	Side turn light	Lens	PMMA + PC
		Housing	PC
(13)	Side spoiler	Engine	PP
(14)	Rear Spoiler	Engine	PC + PET
		High mount lens	PMMA
		High mount housing	ABS
(15)	Rear garnish	Engine	PC + PET
		Moulding	ABS
(16)	License plate light	Lens	PC
		Housing	PBT + PET
(17)	Rear bumper	Face	PP
		EA foam	Foamed PP
(18)	Rear gate handle		PP - GF 20
(19)	Back-up light	Lens	PMMA
		Housing	ASA
(20)	Rear combination light	Lens	PMMA
		Inner lens	PC
		Housing	ASA
		Reflex reflector	PMMA
		Cover	ASA
(21)	Center pillar cover		ABS
(22)	Door handle	HANDLE	PC + PET
		End cover	PP
(23)	Roof rail	Front cover	PC + PET
		Center cover (OUTBACK)	PC + PET
		Rear cover	PC + PET

Plastic Parts and Materials

BODY STRUCTURE

No.	Part name	Material
(24)	Rear Quarter Protector	PP
	Front mud guard	Engine PE
		Air flap TPO
	Rear mud guard	PE
	Under cover	Engine PP
		Flap TPO
	Splash board	PP
	Cowl panel	Body, side PP
		Cover PP
	Rear wiper	Blade PBT
		Arm PET
		Arm cover PBT

- Sedan model

No.	Part name	Material
(25)	Trunk garnish	PC + PET
(26)	License plate light	Lens PMMA
		Housing ASA
(27)	Rear bumper	Face PP
		EA foam Foamed PP
(28)	Rear combination light	Lens PMMA
		Inner lens PC
		Housing ASA
		Reflex reflector PMMA
		Cover ASA
(29)	Rear window moulding	PVC
(30)	Six light moulding	ABS
	High-mounted stop light	Lens PC
		Case PP
		Reflector PBT + PET