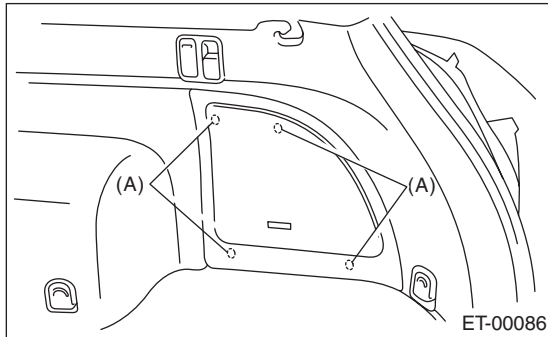


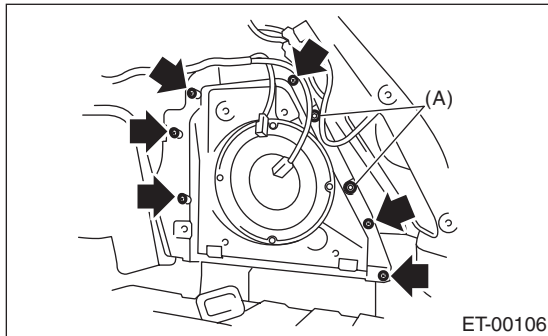
## 10. Woofers

### A: REMOVAL

- 1) Disconnect the ground cable from the battery.
- 2) Remove the hooks (A) and detach the woofer cover. <Ref. to EI-61, REMOVAL, Rear Quarter Trim.>



- 3) Remove the quarter lower trim. <Ref. to EI-61, REMOVAL, Rear Quarter Trim.>
- 4) Remove the woofer bracket mounting clips (A) and screws, then remove the woofer bracket.



- 5) Disconnect the harness connector and detach the woofers.

### B: INSTALLATION

Install in the reverse order of removal.