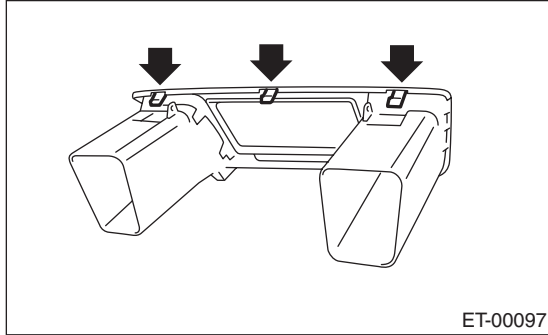


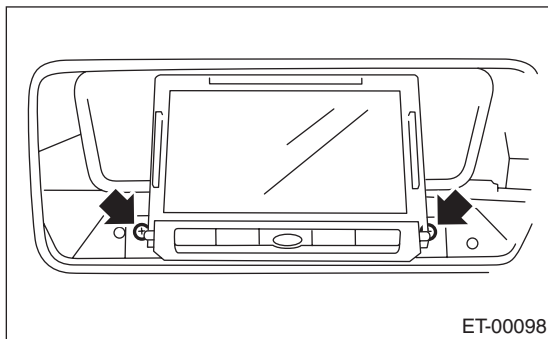
14. Navigation Display

A: REMOVAL

- 1) Disconnect the ground cable from the battery.
- 2) Remove the clip, and remove the center upper panel.



- 3) Remove the display mounting screws.



- 4) Disconnect the harness connector and remove the navigation display.

B: INSTALLATION

Install in the reverse order of removal.