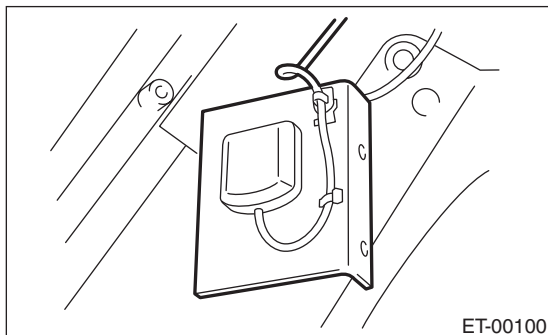
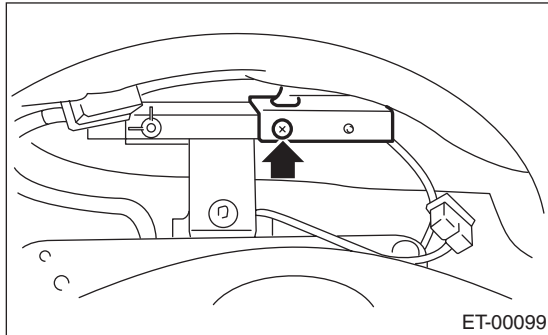


## 15. GPS Antenna

### A: REMOVAL

- 1) Disconnect the ground cable from battery.
- 2) Remove the combination meter. <Ref. to IDI-14, REMOVAL, Combination Meter.>
- 3) Remove the GPS antenna mounting screws to remove the GPS antenna.



- 4) Remove the audio. <Ref. to ET-8, REMOVAL, Audio.>
- 5) Remove the GPS antenna cord connector from the steering support beam stay (on the driver's side).

### B: INSTALLATION

Install in the reverse order of removal.