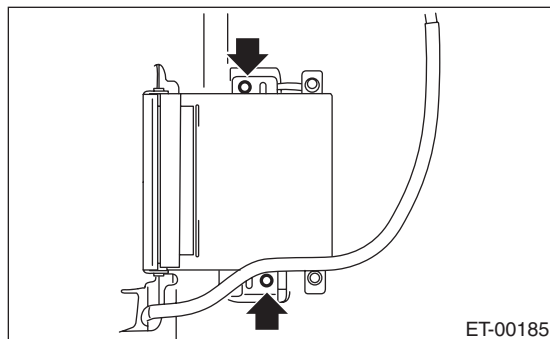


16. Navigation Body

A: REMOVAL

- 1) Disconnect the ground cable from battery.
- 2) Remove the driver's seat. <Ref. to SE-9, REMOVAL, Front Seat.>
- 3) Disconnect the connector.
- 4) Remove the bolts and then remove the navigation unit.



B: INSTALLATION

Install in the reverse order of removal.