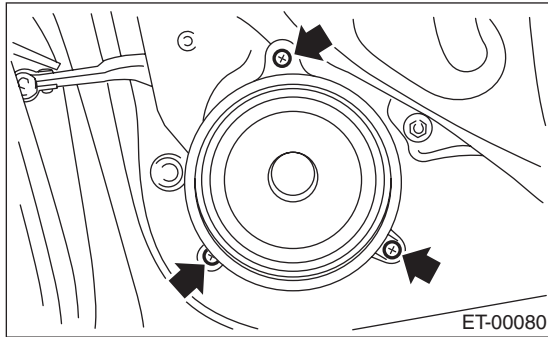


7. Front Speaker

A: REMOVAL

- 1) Disconnect the ground cable from the battery.
- 2) Remove the front door trim. <Ref. to EI-48, REMOVAL, Door Trim.>
- 3) Remove the front speaker mounting screws.



- 4) Disconnect the harness connector and remove the front speaker.

B: INSTALLATION

Install in the reverse order of removal.