

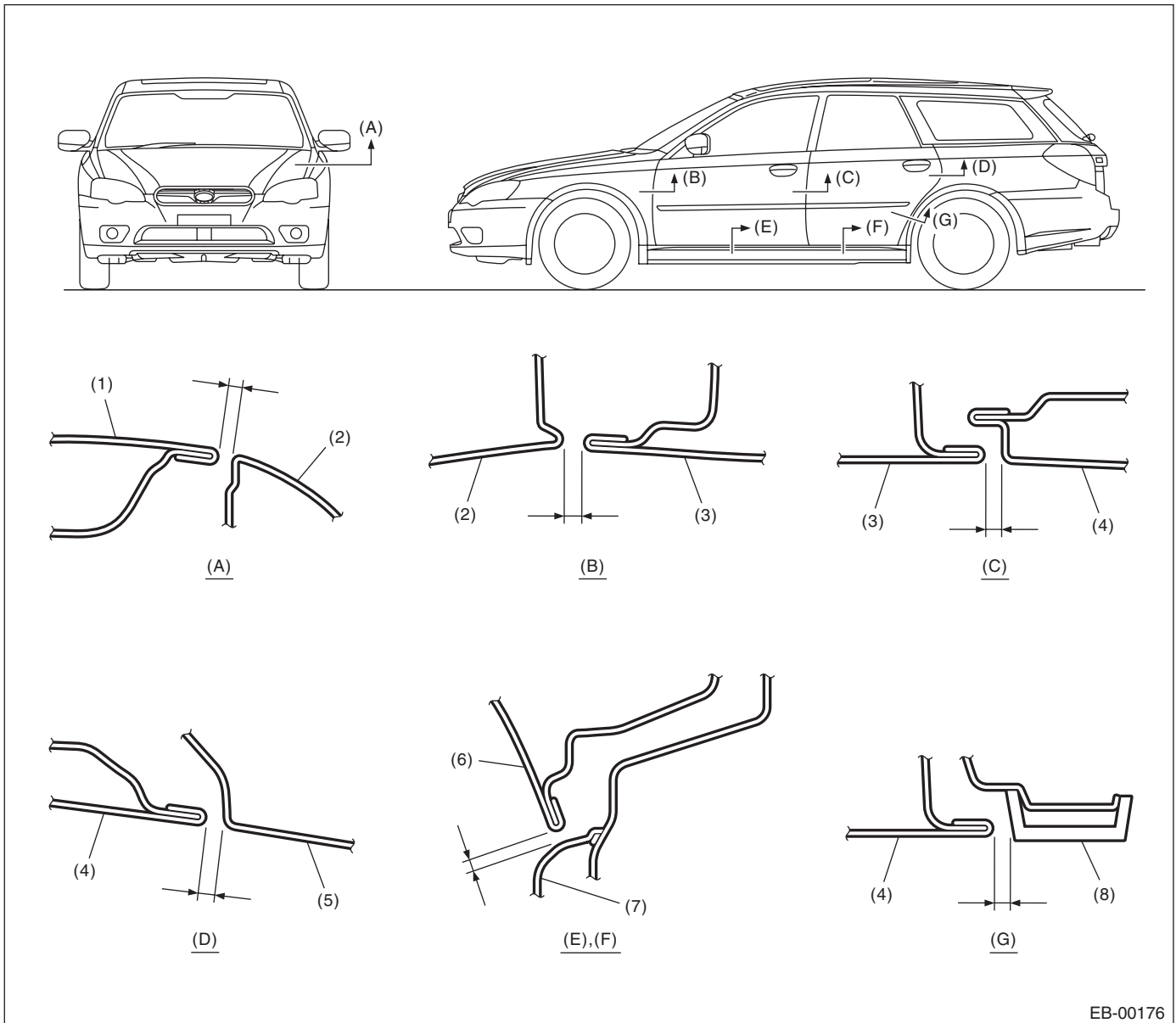
General Description

EXTERIOR BODY PANELS

1. General Description

A: SPECIFICATION

1. SIDE

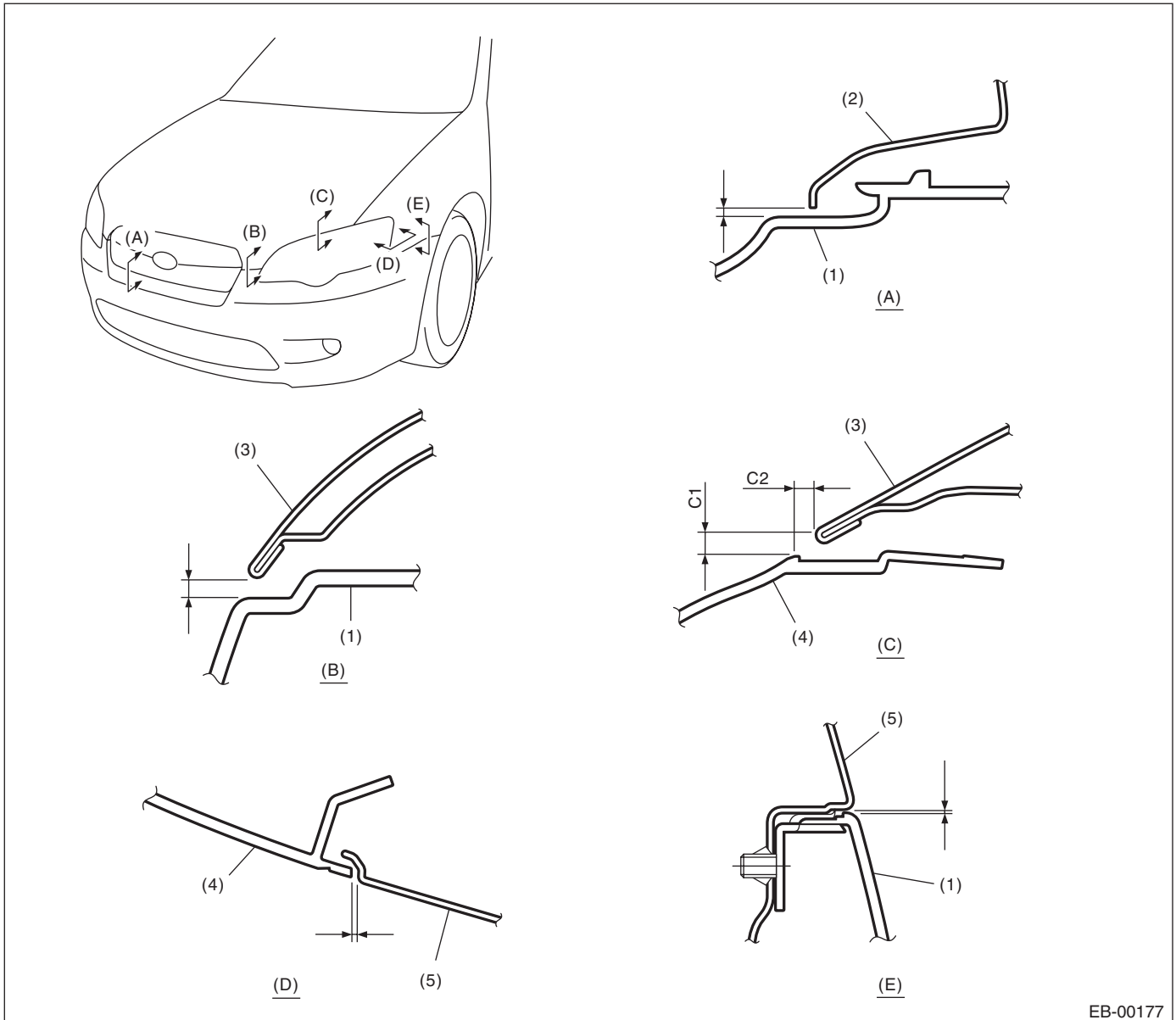


EB-00176

- | | | |
|------------------------|------------------------|----------------------------------|
| (1) Front hood panel | (4) Rear door panel | (7) Side sill |
| (2) Front fender panel | (5) Rear quarter panel | (8) Rear quarter lower protector |
| (3) Front door panel | (6) Door panel | |

Section	Part	Standard value
(A)	Front hood panel to Front fender panel	3.5±1.0 mm (0.14±0.04 in)
(B)	Front fender panel to Front door panel	4.7±1.0 mm (0.18±0.04 in)
(C)	Front door panel to Rear door panel	5.1±1.0 mm (0.20±0.04 in)
(D)	Rear door panel to Rear quarter panel	4.6±1.0 mm (0.18±0.04 in)
(E), (F)	Door panel to Side sill	6.0±1.0 mm (0.24±0.04 in)
(G)	From rear door panel to Rear quarter lower protector	4.8±1.0 mm (0.19±0.04 in)

2. FRONT



EB-00177

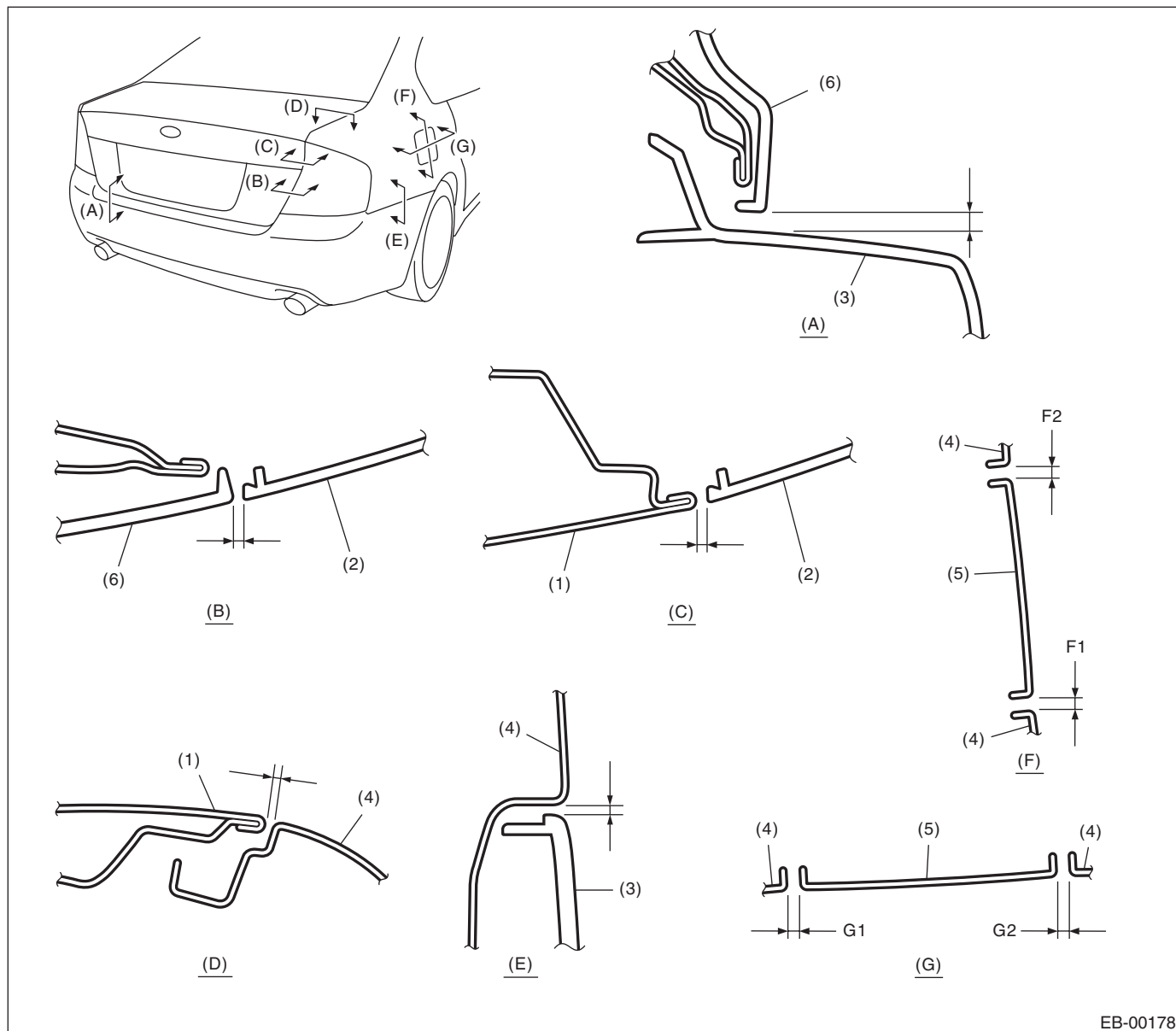
- (1) Front bumper
- (2) Front grille
- (3) Front hood panel
- (4) Headlight
- (5) Front fender panel

Section	Part	Standard value
(A)	From front bumper to Front grille (longitudinal direction)	1.0±0.7 mm (0.04±0.03 in)
(B)	Front hood panel to Front bumper	4.0 — 6.0 mm (0.16 — 0.24 in)
(C)	Front hood panel to Headlight	C1: 6.0±1.0 mm (0.24±0.04 in) C2: 5.0±1.0 mm (0.20±0.04 in)
(D)	From front fender panel to Headlight	1.5±1.0 mm (0.06±0.04 in)
(E)	From front fender panel to Front bumper	1.0±0.7 mm (0.04±0.03 in)

General Description

EXTERIOR BODY PANELS

3. REAR (SEDAN MODEL)

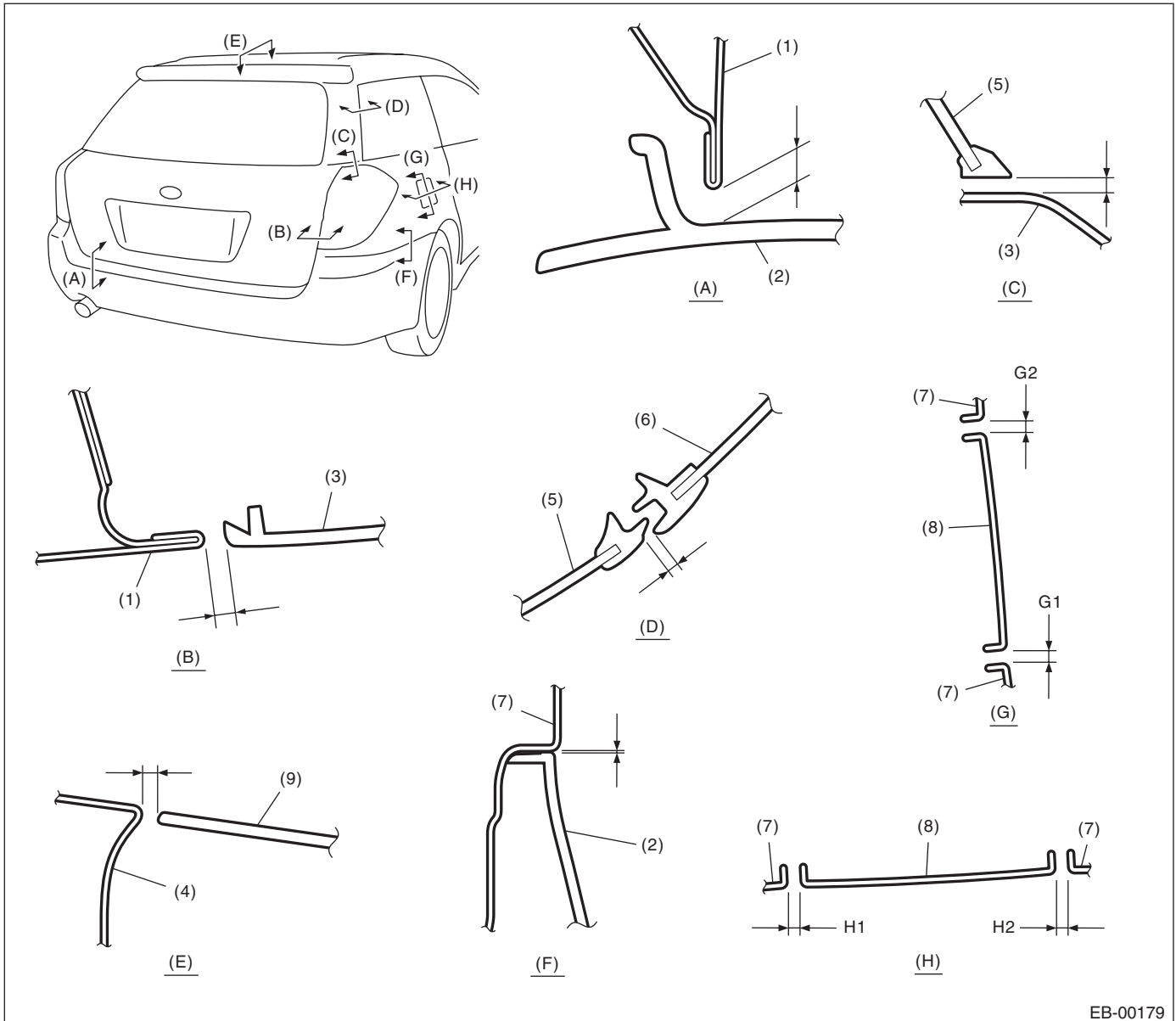


EB-00178

- | | | |
|----------------------------|-----------------------|--------------------------|
| (1) Trunk lid panel | (3) Rear bumper | (5) Fuel filler flap lid |
| (2) Rear combination light | (4) Rear fender panel | (6) Trunk lid garnish |

Section	Part	Standard value
(A)	From trunk lid garnish to Rear bumper	7.0±1.0 mm (0.28±0.04 in)
(B)	From trunk lid garnish to Rear combination light	4.0±1.0 mm (0.16±0.04 in)
(C)	From trunk lid panel to Rear combination light	3.5±1.0 mm (0.14±0.04 in)
(D)	From trunk lid panel to Rear fender panel	3.5±1.0 mm (0.14±0.04 in)
(E)	From rear fender panel to Rear bumper	1.0±0.7 mm (0.04±0.03 in)
(F)	From rear fender panel to Fuel filler flap lid (longitudinal direction)	F1: 3.7±0.5 mm (0.15±0.02 in) F2: 3.4±0.5 mm (0.13±0.02 in)
(G)	From rear fender panel to Fuel filler flap lid (lateral direction)	G1, G2: 3.5±0.5 mm (0.14±0.02 in)

4. REAR (WAGON MODEL)



EB-00179

- | | | |
|----------------------------|------------------------|--------------------------|
| (1) Rear gate panel | (4) Roof panel | (7) Rear fender panel |
| (2) Rear bumper | (5) Rear gate glass | (8) Fuel filler flap lid |
| (3) Rear combination light | (6) Door quarter glass | (9) Roof spoiler |

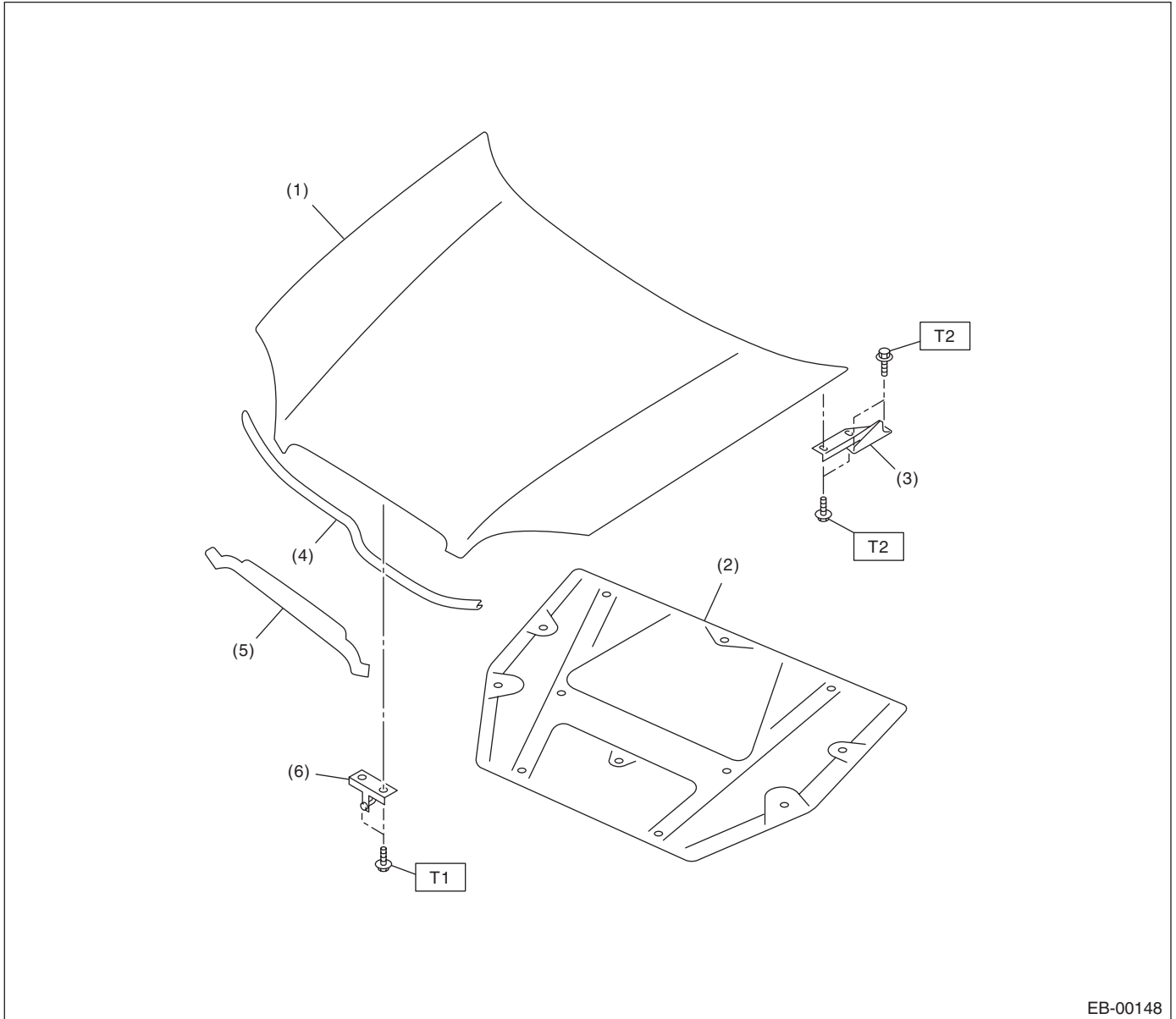
Section	Part	Standard value
(A)	Rear gate panel to Rear bumper	8.0 ± 1.0 mm (0.31 \pm 0.04 in)
(B)	From the rear gate panel to Rear combination light	5.0 ± 1.0 mm (0.20 \pm 0.04 in)
(C)	From the rear gate glass to Rear combination light	5.5 ± 1.0 mm (0.22 \pm 0.04 in)
(D)	From the rear gate glass to Rear quarter glass	4.0 ± 1.5 mm (0.16 \pm 0.06 in)
(E)	Roof panel to Roof spoiler	5.0 — 6.5 mm (0.20 — 0.26 in)
(F)	From rear fender panel to Rear bumper	1.0 ± 0.7 mm (0.04 \pm 0.03 in)
(G)	From rear fender panel to Fuel filler flap lid (longitudinal direction)	G1: 3.7 ± 0.5 mm (0.15 \pm 0.02 in) G2: 3.4 ± 0.5 mm (0.13 \pm 0.02 in)
(H)	From rear fender panel to Fuel filler flap lid (lateral direction)	H1, H2: 3.5 ± 0.5 mm (0.14 \pm 0.02 in)

General Description

EXTERIOR BODY PANELS

B: COMPONENT

1. FRONT HOOD



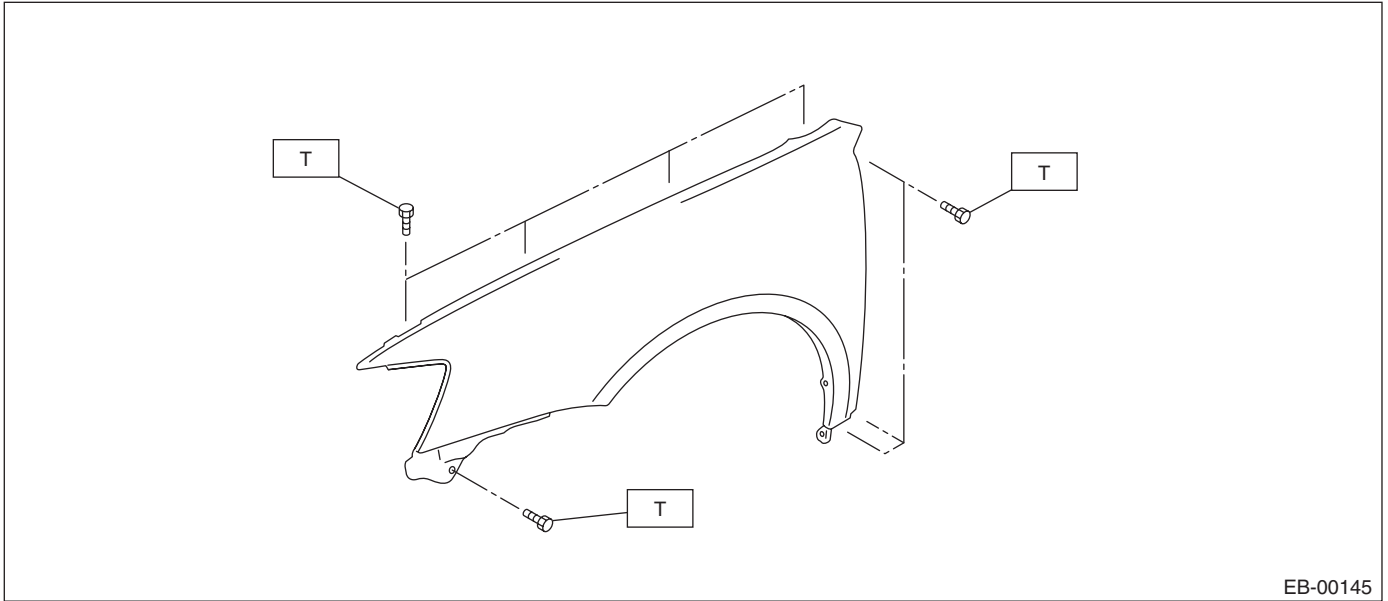
- | | |
|--------------------------|-------------------------------|
| (1) Front hood panel | (4) Intake duct weather strip |
| (2) Front hood insulator | (5) Front hood weather strip |
| (3) Front hood hinge | (6) Front hood striker |

Tightening torque: N·m (kgf·m, ft·lb)

T1: 33 (3.4, 24.5)

T2: 24.5 (2.5, 18.1)

2. FRONT FENDER PANEL



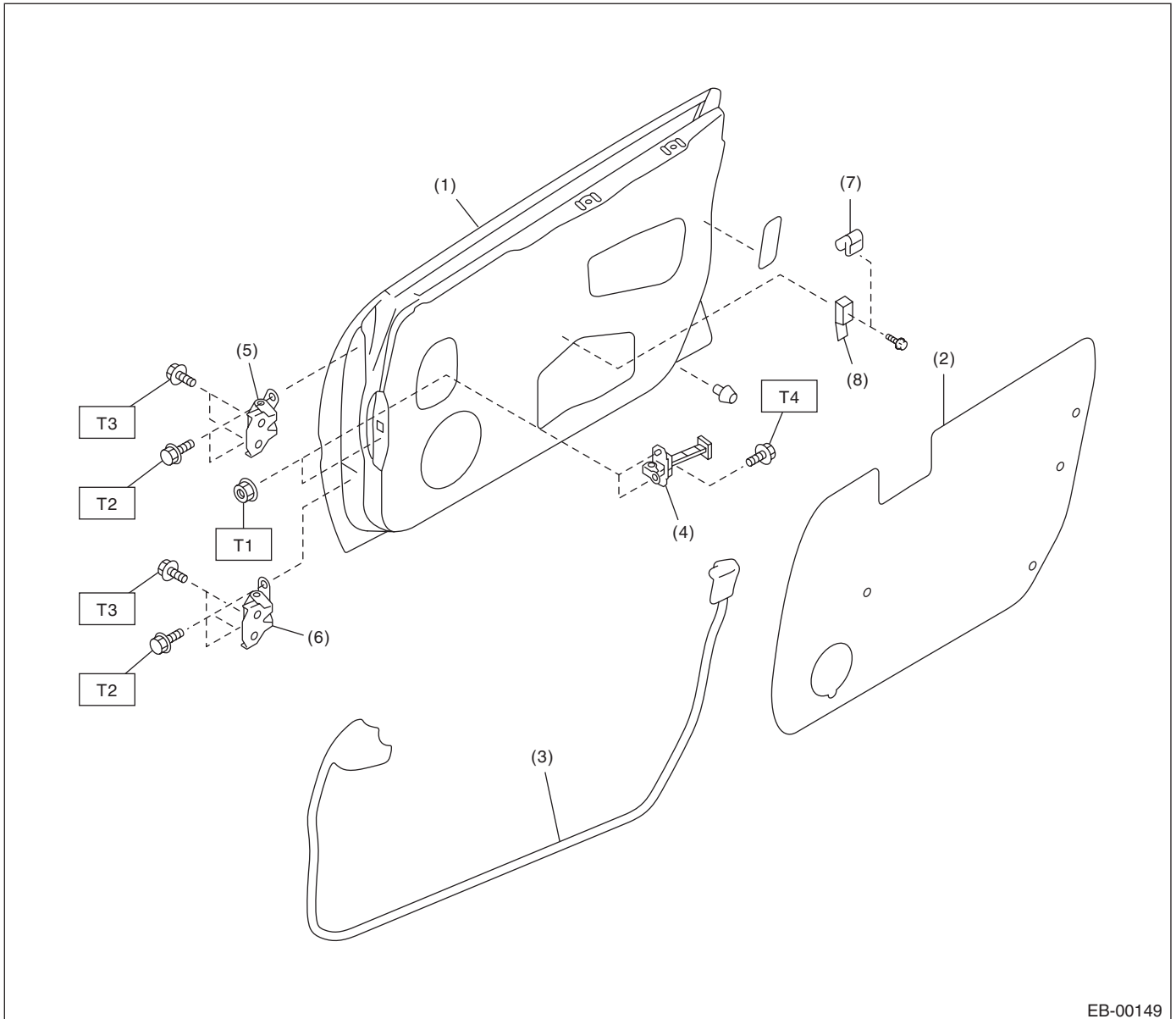
EB-00145

Tightening torque: N·m (kgf·m, ft·lb)
T: 7.4 (0.75, 5.5)

General Description

EXTERIOR BODY PANELS

3. FRONT DOOR PANEL



- | | |
|------------------------------|-----------------------------|
| (1) Front door panel | (5) Upper hinge |
| (2) Sealing cover | (6) Lower hinge |
| (3) Front door weather strip | (7) Door trim bracket upper |
| (4) Checker | (8) Door trim bracket lower |

Tightening torque: N-m (kgf-m, ft-lb)

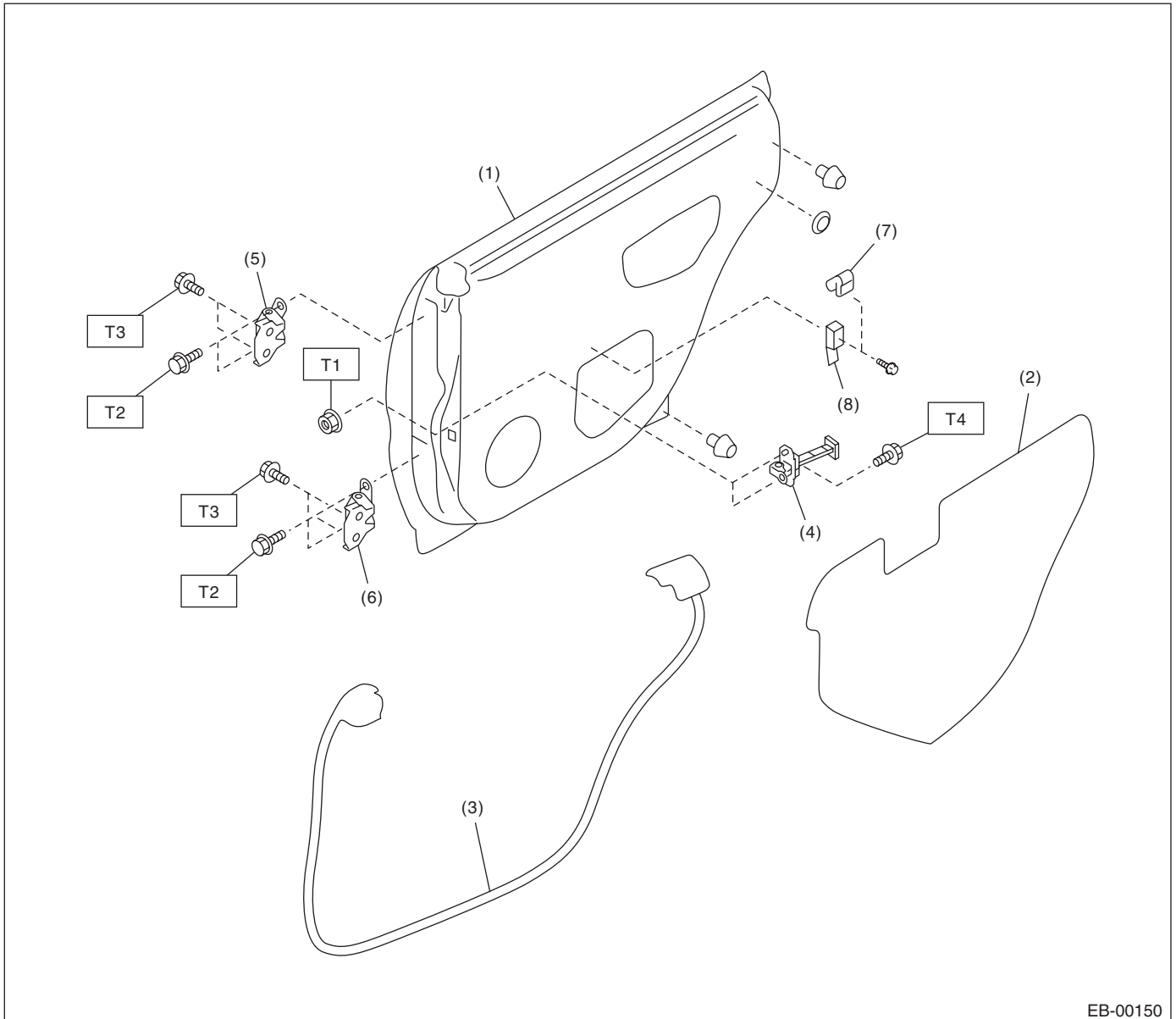
T1: 7.4 (0.75, 5.5)

T2: 24.5 (2.5, 18.1)

T3: 29.4 (3.0, 21.7)

T4: 32.3 (3.3, 23.8)

4. REAR DOOR PANEL



EB-00150

- | | |
|-----------------------------|-----------------------------|
| (1) Rear door panel | (5) Upper hinge |
| (2) Sealing cover | (6) Lower hinge |
| (3) Rear door weather strip | (7) Door trim bracket upper |
| (4) Checker | (8) Door trim bracket lower |

Tightening torque: N-m (kgf-m, ft-lb)

T1: 7.4 (0.75, 5.5)

T2: 24.5 (2.5, 18.1)

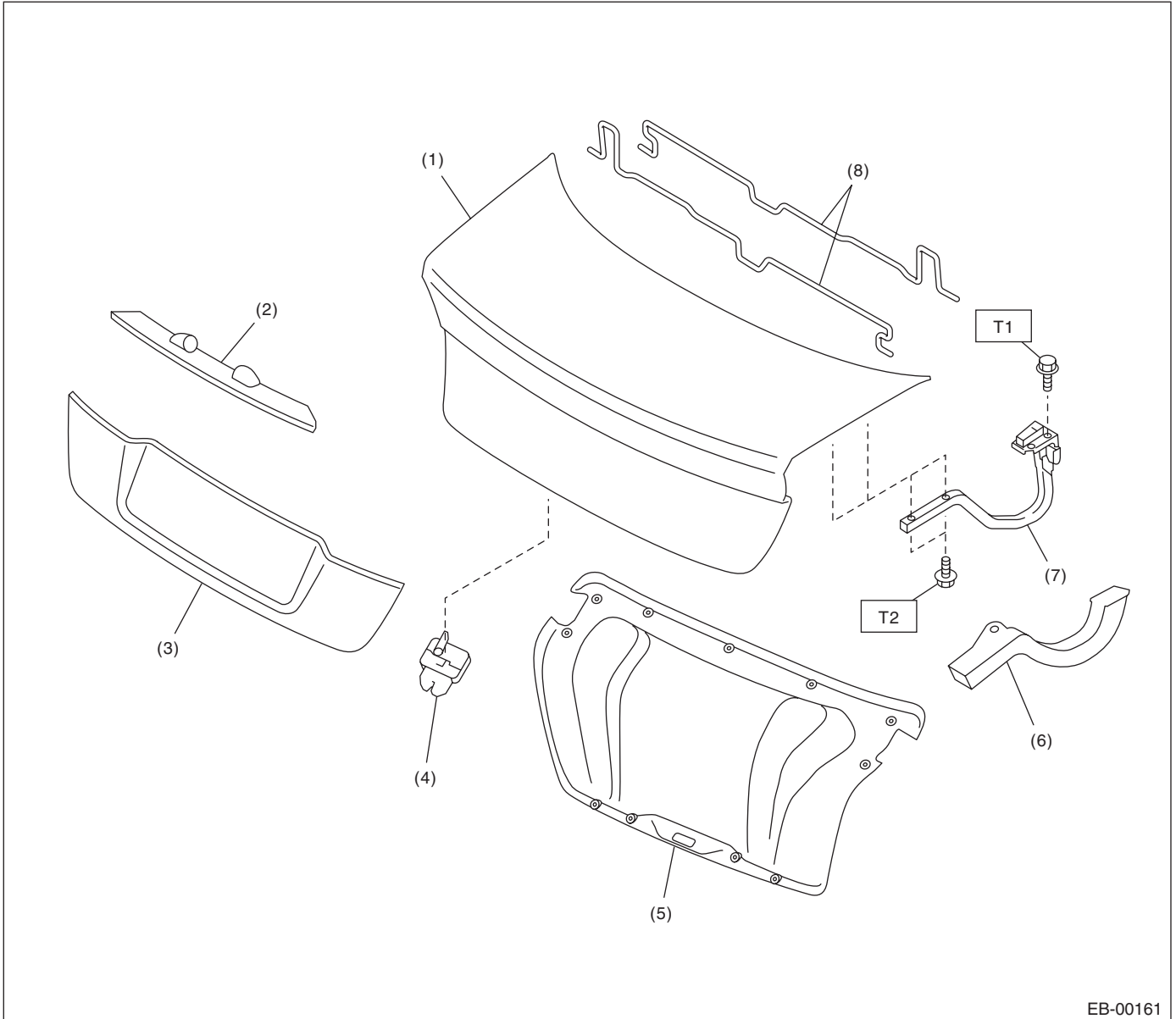
T3: 29.4 (3.0, 21.7)

T4: 32.3 (3.3, 23.8)

General Description

EXTERIOR BODY PANELS

5. TRUNK LID PANEL



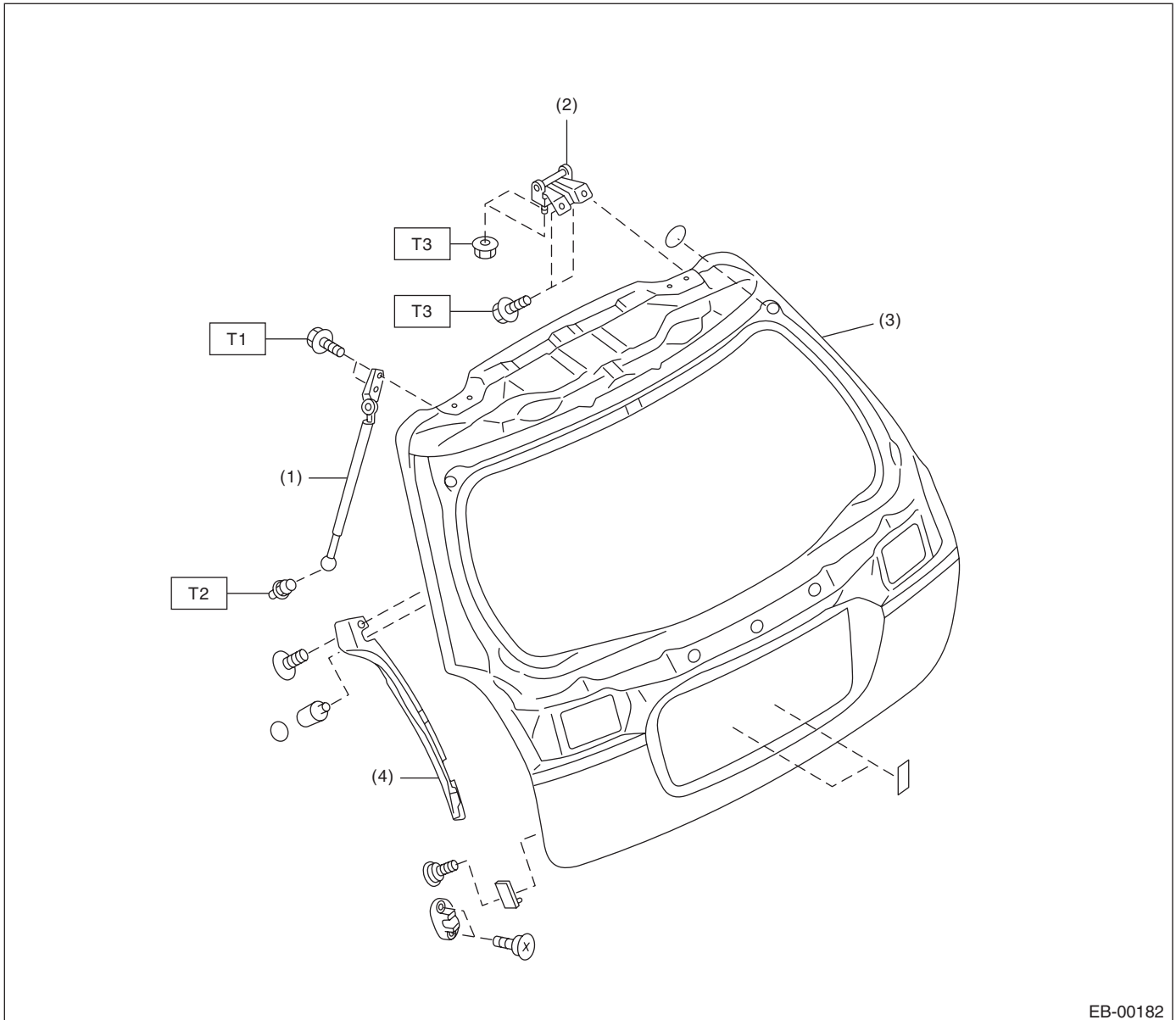
- | | |
|-------------------------------|-------------------------|
| (1) Trunk lid panel | (5) Trunk lid trim |
| (2) License plate light cover | (6) Trunk lid arm cover |
| (3) Trunk lid garnish | (7) Trunk lid arm ASSY |
| (4) Trunk lid lock ASSY | (8) Torsion bar |

Tightening torque: N·m (kgf·m, ft·lb)

T1: 17.6 (1.8, 12.9)

T2: 14 (1.43, 10.3)

6. REAR GATE PANEL



EB-00182

- | | |
|---------------------------|--------------------------------|
| (1) Rear gate damper stay | (3) Rear gate panel |
| (2) Hinge | (4) Rear gate side panel cover |

Tightening torque: N·m (kgf·m, ft·lb)

T1: 7.5 (0.76, 5.5)

T2: 14 (1.43, 10.3)

T3: 25 (2.6, 18.4)

C: CAUTION

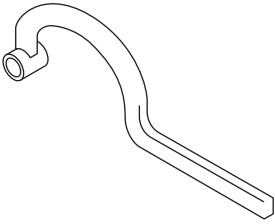
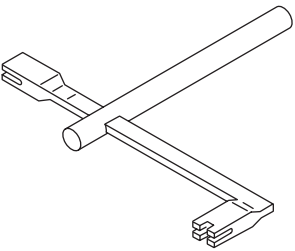
- Exterior body panels are heavy. Do not drop and damage the panels. During removal and installation, do not damage the panel painting surface.
- While removing mounting bolts, using assistance devices such as a support jack will help support the panel.
- Be careful not to lose small parts.

General Description

EXTERIOR BODY PANELS

D: PREPARATION TOOL

1. SPECIAL TOOL

ILLUSTRATION	TOOL NUMBER	DESCRIPTION	REMARKS
 ST-925610000	925610000	WRENCH	Used for removing and installing door hinge.
 ST-927780000	927780000	REMOVER	Used for removing and installing the trunk torsion bar.

2. GENERAL TOOL

TOOL NAME	REMARKS
Support jack	Used for supporting door panel.
Clip remover	Used for removing various types of clips