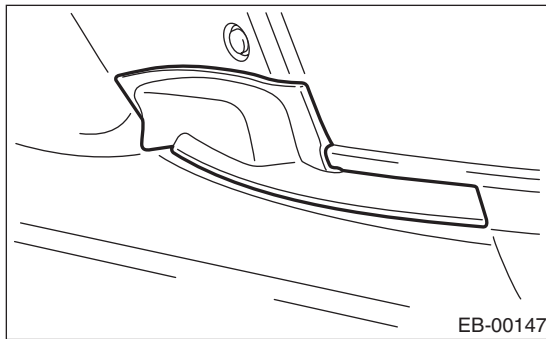


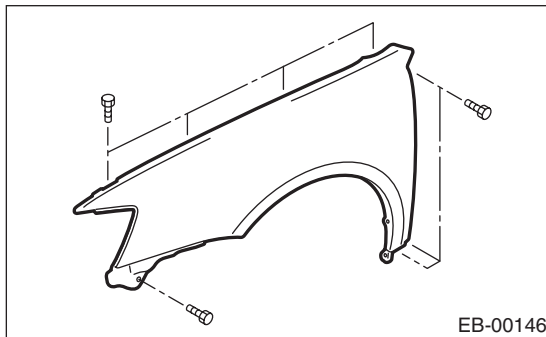
3. Front Fender

A: REMOVAL

- 1) Disconnect the ground cable from battery.
- 2) Remove the side sill spoilers. <Ref. to EI-41, REMOVAL, Side Sill Spoiler.>
- 3) Remove the front grille. <Ref. to EI-24, REMOVAL, Front Grille.>
- 4) Remove the front bumper face. <Ref. to EI-30, REMOVAL, Front Bumper.>
- 5) Remove the headlight assembly. <Ref. to LI-11, REMOVAL, Headlight Assembly.>
- 6) Remove the mud guard. <Ref. to EI-29, REMOVAL, Mud Guard.>
- 7) Remove the cowl panel side.



- 8) Remove the bolt, and remove the front fender panel.



B: INSTALLATION

- 1) Install in the reverse order of removal.
- 2) Install with attention to make uniform clearance between front fender panel and front hood panel. For the dimension of clearance, refer to "SPECIFICATION" in "General Description". <Ref. to EB-2, SPECIFICATION, General Description.>

Tightening torque:

7.4 N·m (0.75 kgf-m, 5.5 ft-lb)