

Rear Door

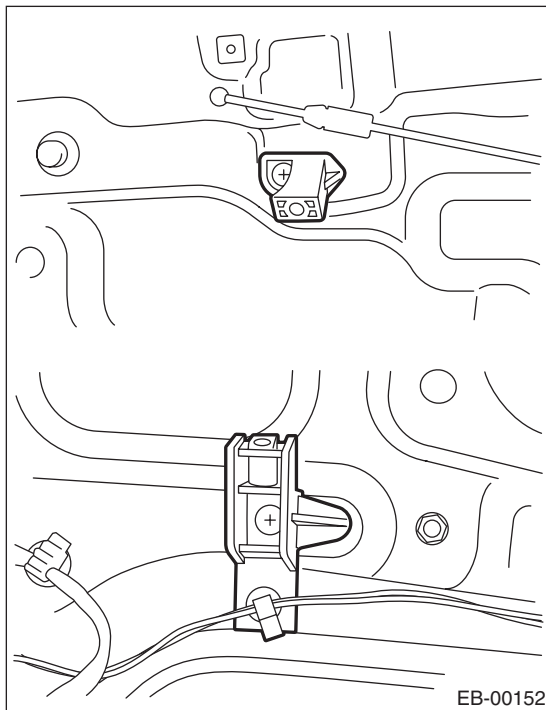
EXTERIOR BODY PANELS

6. Rear Door

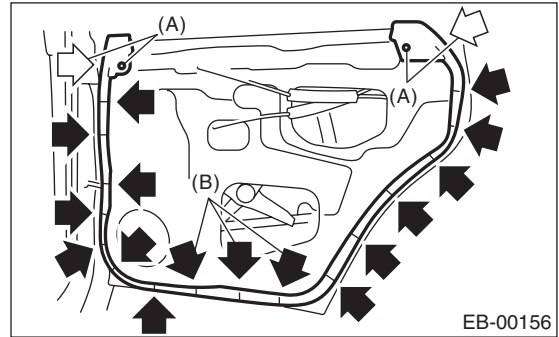
A: REMOVAL

1. REAR DOOR PANEL

- 1) Disconnect the ground cable from battery.
- 2) Remove the rear door trim. <Ref. to EI-48, REMOVAL, Door Trim.>
- 3) Remove the rear speaker. <Ref. to ET-11, REMOVAL, Rear Speaker.>
- 4) Remove the sealing cover. <Ref. to EB-23, REMOVAL, Rear Sealing Cover.>
- 5) Remove the rear door glass. <Ref. to GW-24, REMOVAL, Rear Door Glass.>
- 6) Remove the door sash and rear door regulator and motor assembly. <Ref. to GW-26, REMOVAL, Rear Regulator and Motor Assembly.>
- 7) Remove the rear door latch. <Ref. to SL-40, REMOVAL, Rear Door Latch and Door Lock Actuator Assembly.>
- 8) Remove the rear outer handle. <Ref. to SL-39, REMOVAL, Rear Outer Handle.>
- 9) Remove the screw to remove the door trim bracket.



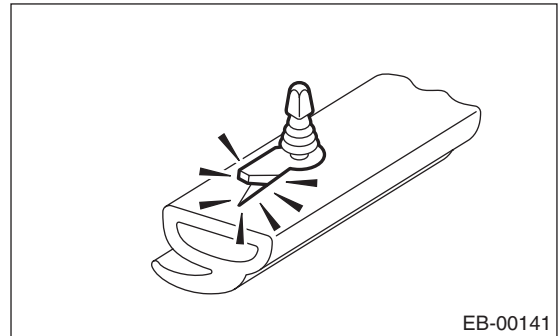
- 10) Remove the rear door inner weather strip.



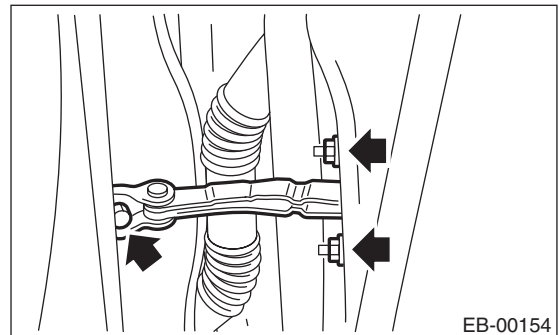
- (A) Pin clip
(B) Weather strip clip

NOTE:

If the weather strip clip is removed with excessive force, the weather strip may be damaged. Be sure to use clip remover to remove.



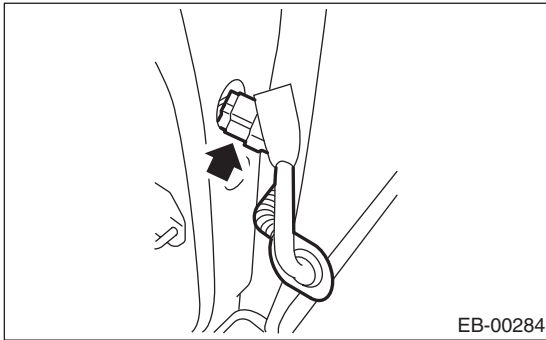
- 11) Remove the bolts and nuts to remove the door checker.



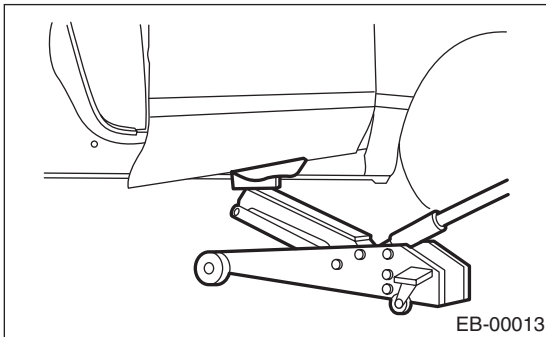
- 12) Remove the rear door. <Ref. to EB-21, REAR DOOR ASSEMBLY, REMOVAL, Rear Door.>

2. REAR DOOR ASSEMBLY

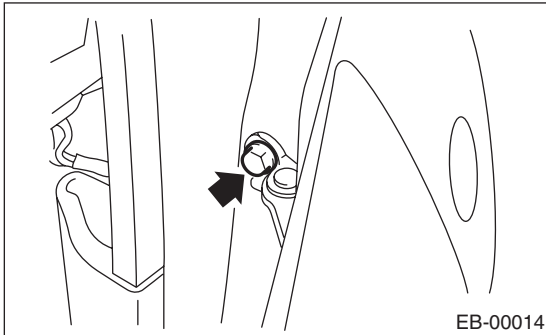
- 1) Disconnect the ground cable from battery.
- 2) Pull the door harness connector inside the center pillar, then disconnect the connector.



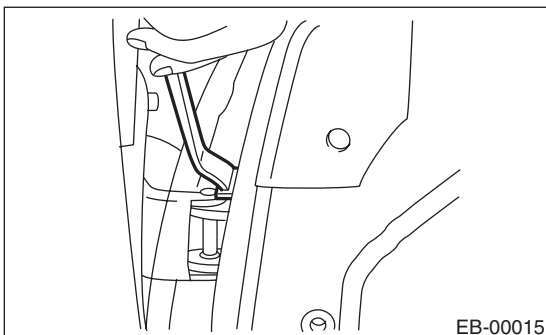
- 3) Put a wooden block on jack and place jack under the rear door. Support the rear door with the jack to protect it from damage.



- 4) Remove the bolt from the door checker.



- 5) Remove the door-side bolts for upper and lower hinges to remove the rear door panel.



- 6) Remove the door hinge from vehicle.

B: INSTALLATION**1. REAR DOOR PANEL**

Install in the reverse order of removal.

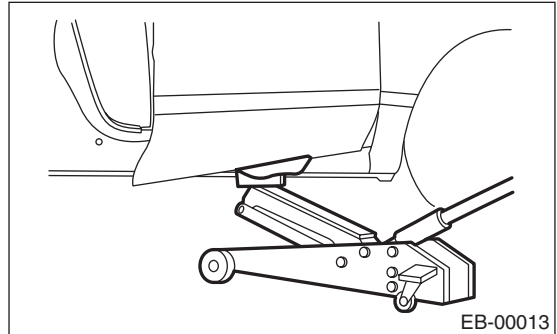
Tightening torque:

Refer to "COMPONENT" of "General Description".

<Ref. to EB-9, REAR DOOR PANEL, COMPONENT, General Description.>

2. REAR DOOR ASSEMBLY

- 1) Put a wooden block on jack and place the rear door on that.



- 2) Apply grease to the moving part of door hinges.
- 3) Install the rear door to upper hinge and lower hinge adjusting by jack.
- 4) Tighten bolt of door checker.
- 5) Connect the door harness connector, and install the center pillar inner protector.
- 6) Install the center pillar lower trim.

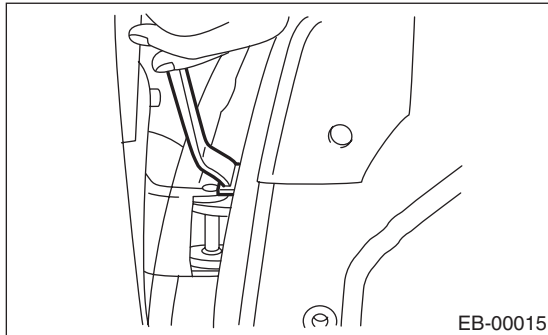
Tightening torque:

Refer to "COMPONENT" of "General Description".

<Ref. to EB-9, REAR DOOR PANEL, COMPONENT, General Description.>

C: ADJUSTMENT

1) Open the rear door, loosen the door-side bolts of upper and lower hinges to align the position for vertical and horizontal direction of rear door panel.



2) Loosen the screw (A) and tap striker (B) using plastic hammer to adjust the gap between rear end surface of rear door panel and body surface.

CAUTION:

Do not use an impact wrench. Welding area on the striker nut plate is easily broken.

