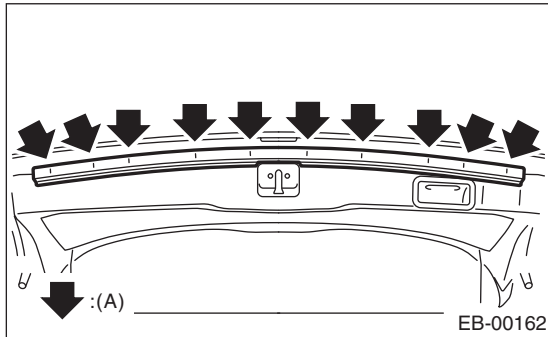


### 9. Rear Gate

#### A: REMOVAL

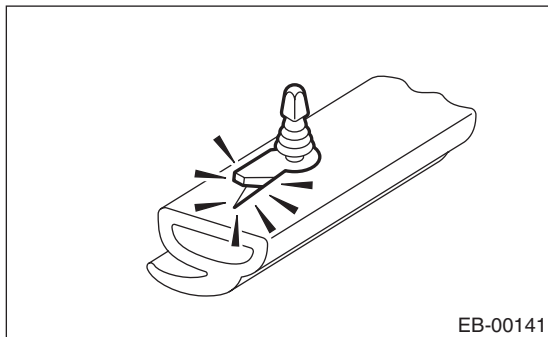
##### 1. REAR GATE PANEL

- 1) Disconnect the ground cable from battery.
- 2) Open the rear gate.
- 3) Remove the rear gate trim. <Ref. to EI-66, REMOVAL, Rear Gate Trim.>
- 4) Remove the rear gate garnish. <Ref. to EI-73, REMOVAL, Rear Gate Garnish.>
- 5) Remove the rear wiper arm. <Ref. to WW-17, REMOVAL, Rear Wiper Arm.>
- 6) Remove the rear wiper motor. <Ref. to WW-18, REMOVAL, Rear Wiper Motor.>
- 7) Remove the rear gate outer handle. <Ref. to SL-42, REMOVAL, Rear Gate Outer Handle.>
- 8) Remove the rear gate latch assembly. <Ref. to SL-43, REMOVAL, Rear Gate Latch Assembly.>
- 9) Remove the roof spoiler. <Ref. to EI-40, REMOVAL, Roof Spoiler.>
- 10) Remove harness clip of each connector from the rear gate panel.
- 11) Remove the weather strip clip (A), and remove the rear gate panel weather strip.

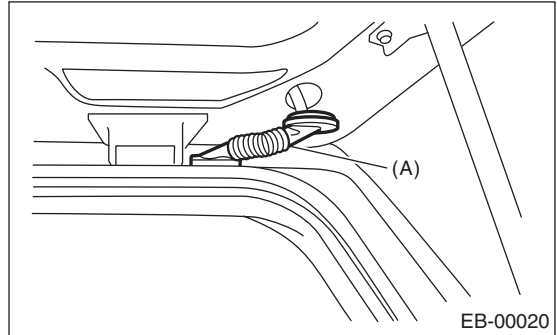


#### NOTE:

If the weather strip clip is removed with excessive force, the weather strip may be damaged. Be sure to use clip remover to remove.



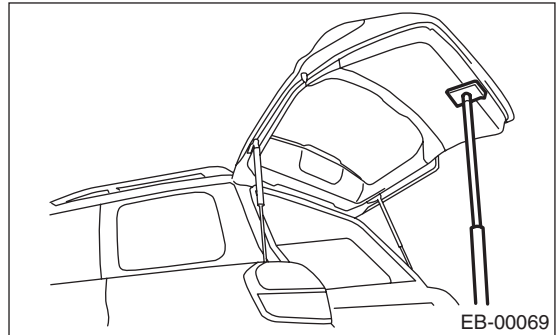
- 12) Remove the rubber duct (A) connection, and pull out the harness and washer hose from the rear gate.



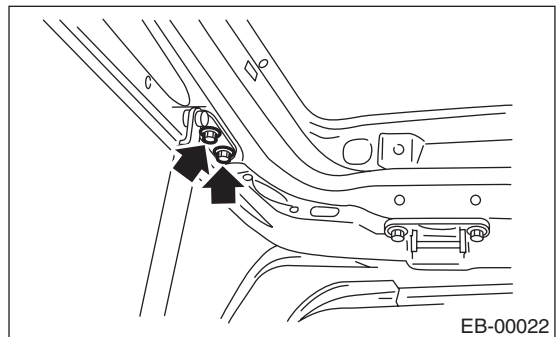
- 13) Before removing the rear gate damper stay, prevent the rear gate from closing using prop or the like.

#### CAUTION:

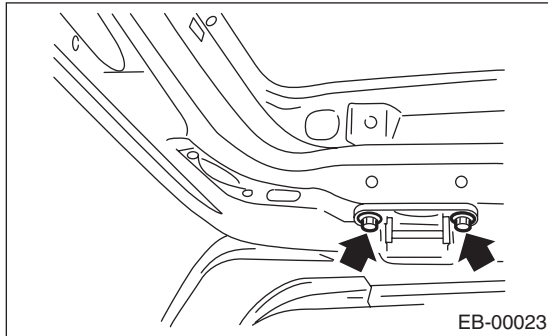
If the prop comes off, operators may get injured and vehicle may get damaged. Make sure to support the rear gate with secure material to prevent injury or damage.



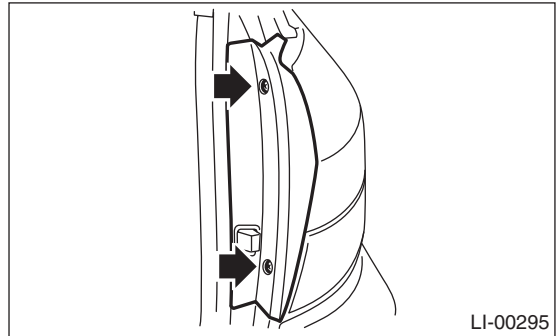
- 14) Remove the mounting bolt of rear gate damper stay.



15) Remove the rear gate hinge bolt, and remove the rear gate panel.



4) Remove the clips and detach the rear combination light covers.



16) Remove the rear gate hinge from the vehicle.

5) Remove mounting bolt (A), and remove the damper stay.

## 2. REAR GATE DAMPER STAY

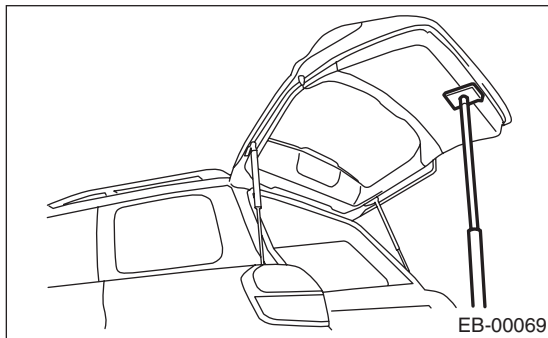
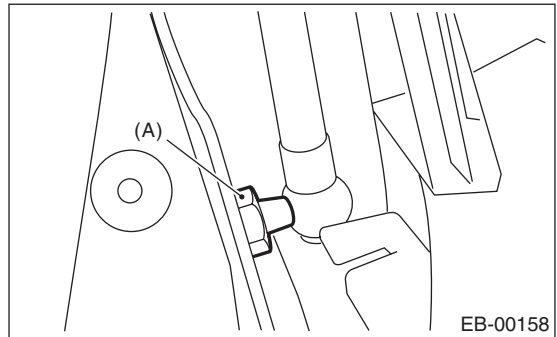
### CAUTION:

- Do not damage piston rods and oil seals.
- Never disassemble cylinders: They contain gas.

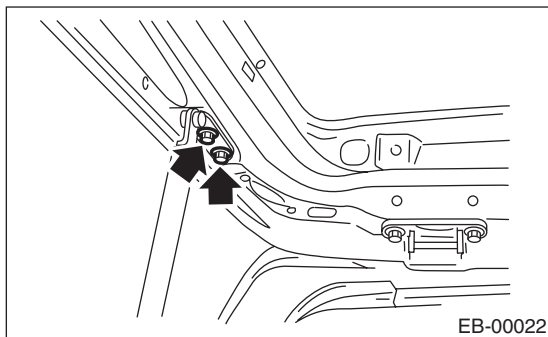
- 1) Open the rear gate.
- 2) Before removing the rear gate damper stay, prevent the rear gate from closing using prop or the like.

### CAUTION:

If the prop comes off, operators may get injured and vehicle may get damaged. Make sure to support the rear gate with secure material to prevent injury or damage.



3) Remove the mounting bolt of rear gate damper stay.



# Rear Gate

## EXTERIOR BODY PANELS

### B: INSTALLATION

#### 1. REAR GATE PANEL

- 1) Install in the reverse order of removal.
- 2) Install with attention to make uniform clearance between rear gate panel and body. For the dimension of clearance, refer to "SPECIFICATION" in "General Description". <Ref. to EB-2, SPECIFICATION, General Description.>

**Tightening torque:**

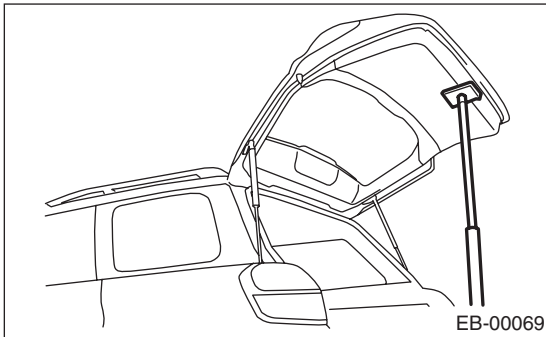
**25 N·m (2.6 kgf·m, 18.4 ft·lb)**

#### 2. REAR GATE DAMPER STAY

- 1) Prevent the rear gate from closing using prop or the like.

**CAUTION:**

**If the prop comes off, operators may get injured and vehicle may get damaged. Make sure to support the rear gate with secure material to prevent injury or damage.**



- 2) Install in the reverse order of removal.

**Tightening torque:**

**Refer to "COMPONENT" of "General Description".**

**<Ref. to EB-11, REAR GATE PANEL, COMPONENT, General Description.>**

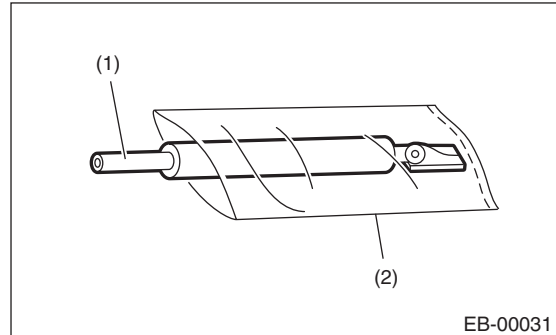
### C: DISPOSAL

#### 1. REAR GATE DAMPER STAY

**CAUTION:**

**Gas is colorless, odorless, and harmless. However, gas pressure may spray cutting powder or oil. Be sure to wear dust-resistant goggles.**

- 1) Cover with a vinyl sack as shown in the figure.



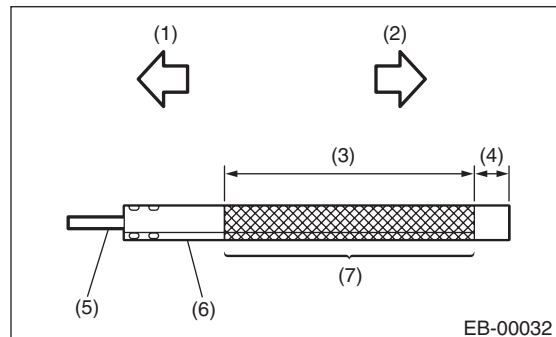
- (1) Rear gate damper stay
- (2) Vinyl sack

**NOTE:**

Prevent the vinyl sack from being caught by drill cutting edge

2) Lift the body side slightly with piston rods fully extended, and secure the body side with vise.

Drill a hole in 2 to 3 mm (0.08 to 0.12 in) diameter at a point 10 to 200 mm (0.39 to 7.87 in) from door side, and bleed rear gate damper stay gas stay completely.



- (1) Body side
- (2) Door side
- (3) 190 mm (7.48 in)
- (4) 10 mm (0.39 in)
- (5) Piston rod
- (6) Cylinder
- (7) Portion to be drilled

# CRUISE CONTROL SYSTEM

# CC

---

	<b>Page</b>
1. General Description .....	2
2. Cruise Control Unit .....	4
3. Cruise Control Command Switch .....	5
4. Stop Light & Brake Switch .....	6
5. Clutch Switch .....	7
6. Inhibitor Switch .....	8
7. Neutral Position Switch .....	9