

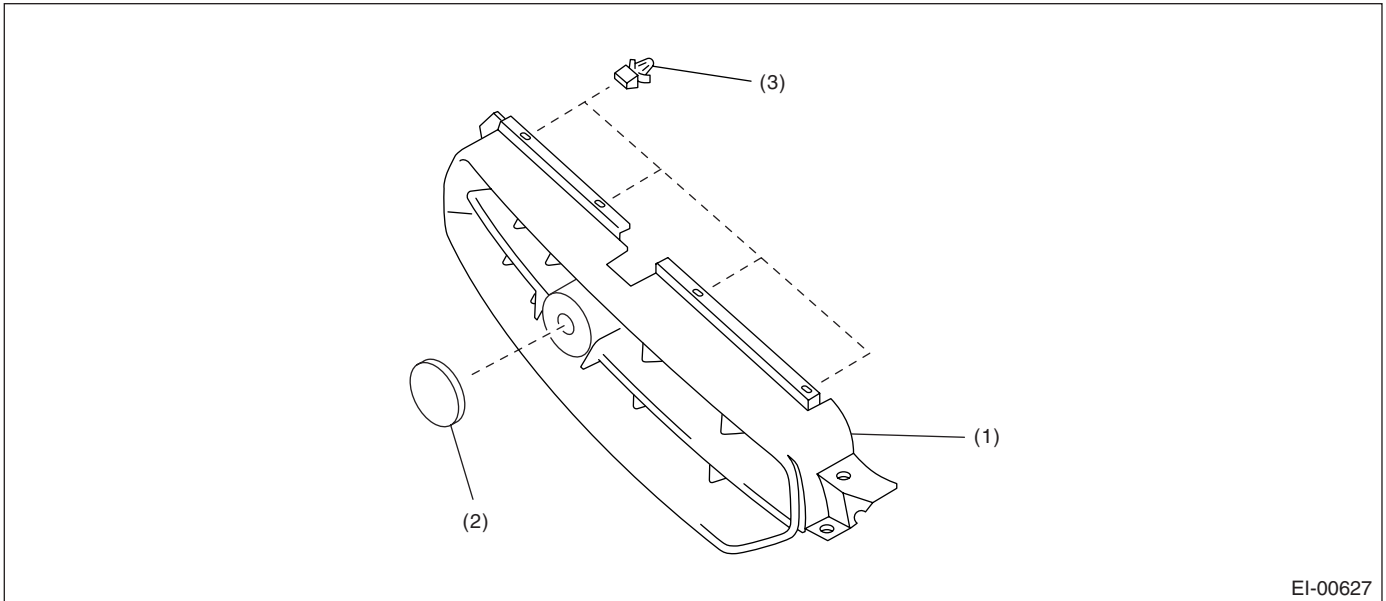
General Description

EXTERIOR/INTERIOR TRIM

1. General Description

A: COMPONENT

1. FRONT GRILLE



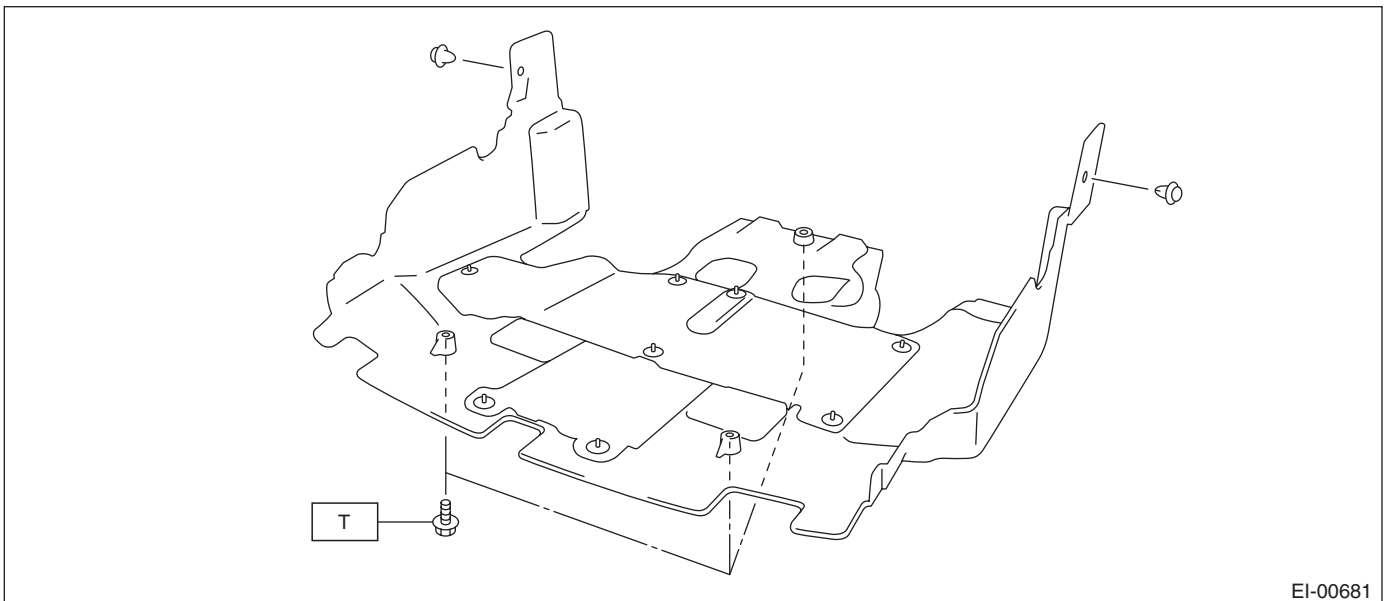
EI-00627

(1) Front grille

(2) Front grille emblem

(3) Front grille clip

2. UNDER COVER

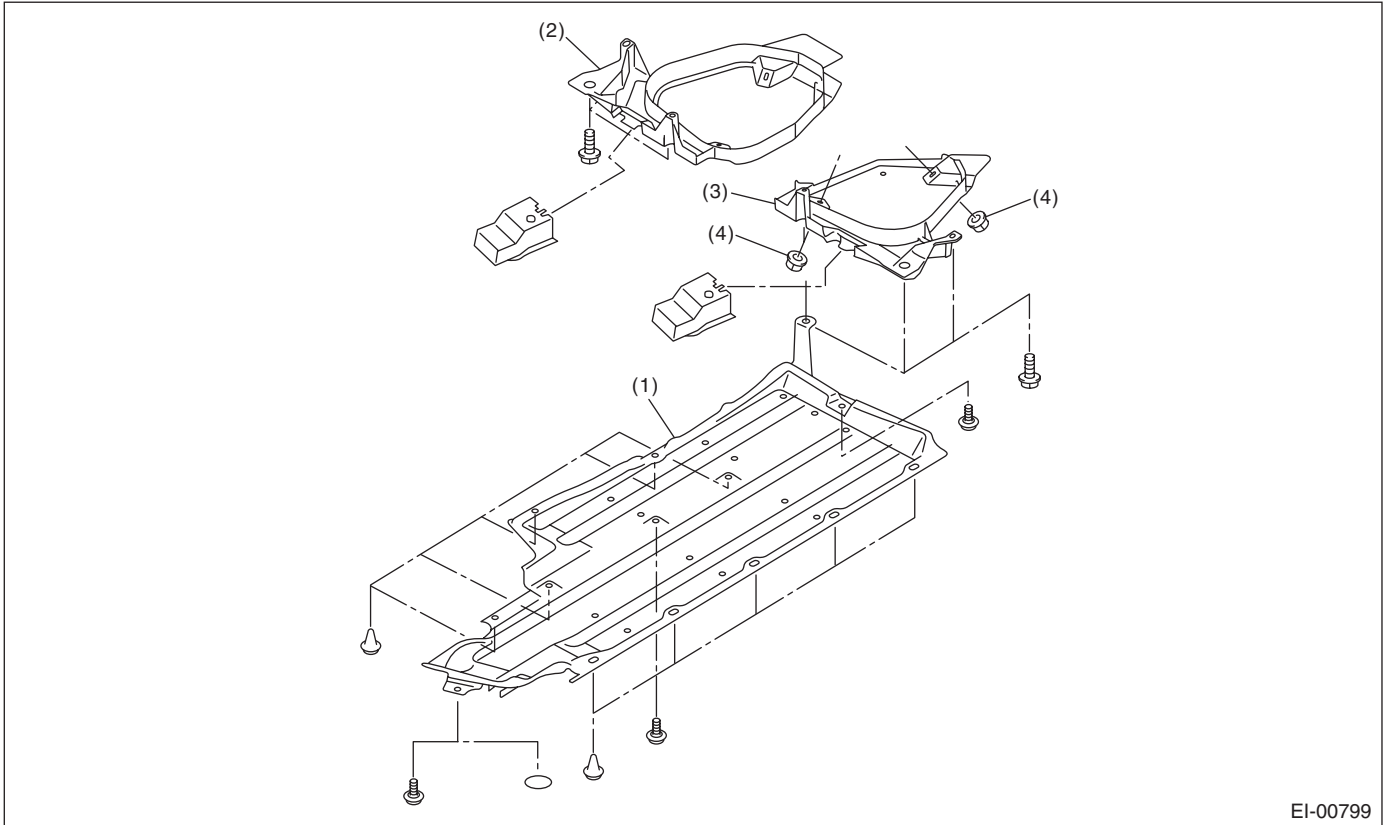


EI-00681

Tightening torque: N-m (kgf-m, ft-lb)

T: 14 (1.42, 10.3)

3. UNDER PROTECTOR



EI-00799

- (1) Floor under protector
- (2) Fuel tank protector RH

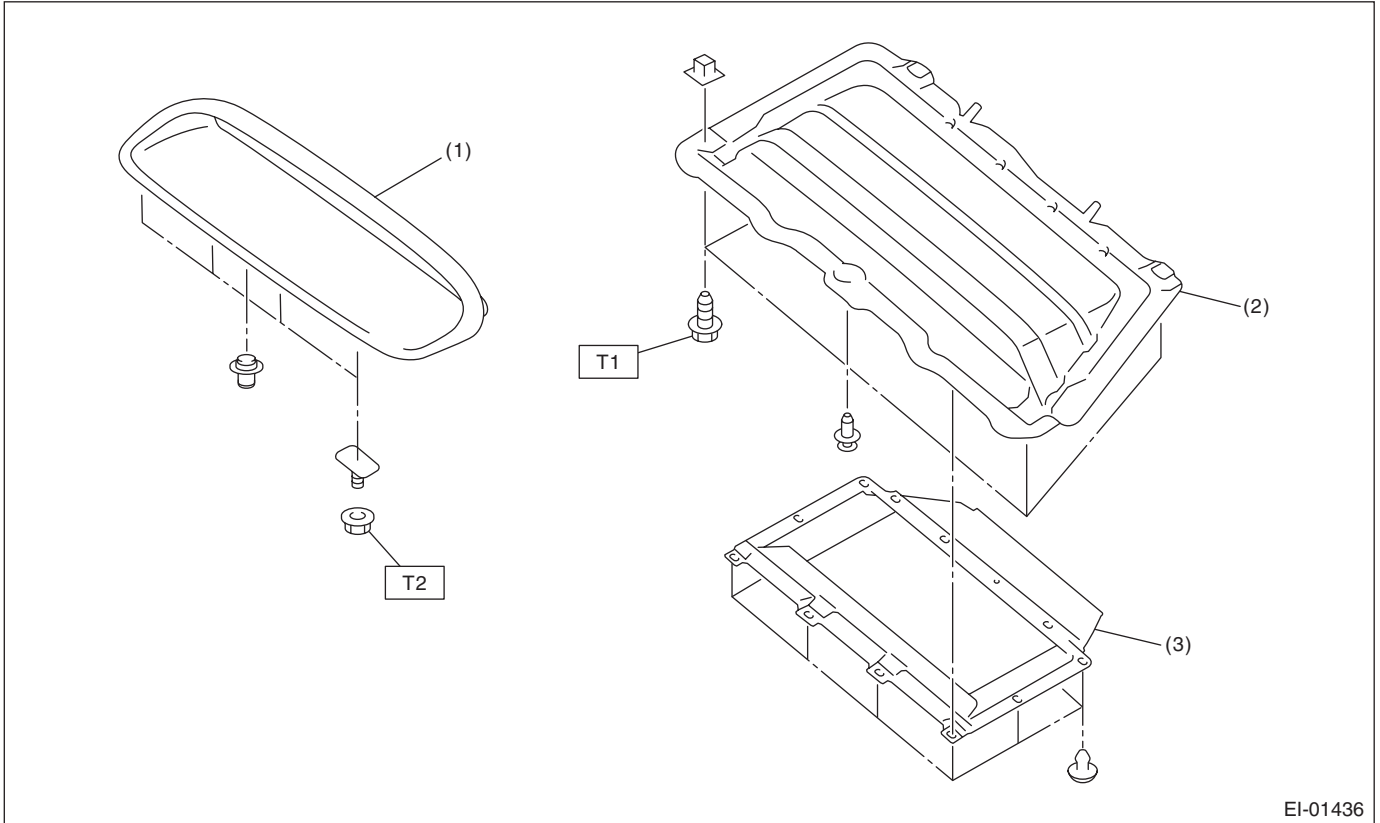
- (3) Fuel tank protector LH

- (4) Plastic nut

General Description

EXTERIOR/INTERIOR TRIM

4. FRONT HOOD GRILLE



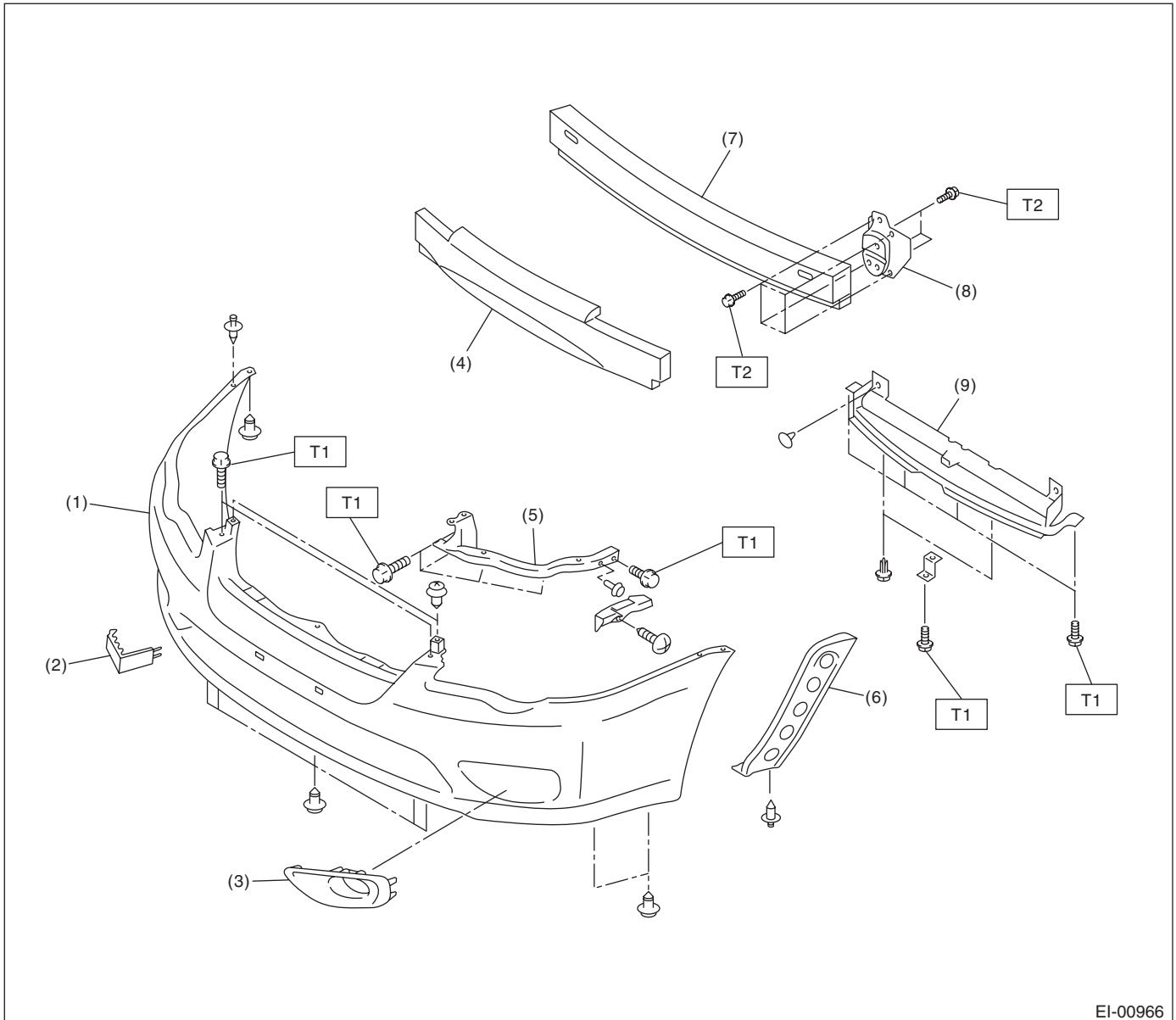
EI-01436

- (1) Front hood grille
- (2) Grille duct upper

- (3) Grille duct lower

Tightening torque: N·m (kgf-m, ft-lb)
T1: 1.0 (0.1, 0.72)
T2: 4.4 (0.45, 3.18)

5. FRONT BUMPER



- | | |
|--------------------------|-------------------------------|
| (1) Bumper face | (6) Side bracket |
| (2) Towing hook cover | (7) Bumper beam reinforcement |
| (3) Fog light cover | (8) Bumper beam bracket |
| (4) Energy absorber foam | (9) Radiator guide |
| (5) Upper bracket | |

Tightening torque: N-m (kgf-m, ft-lb)

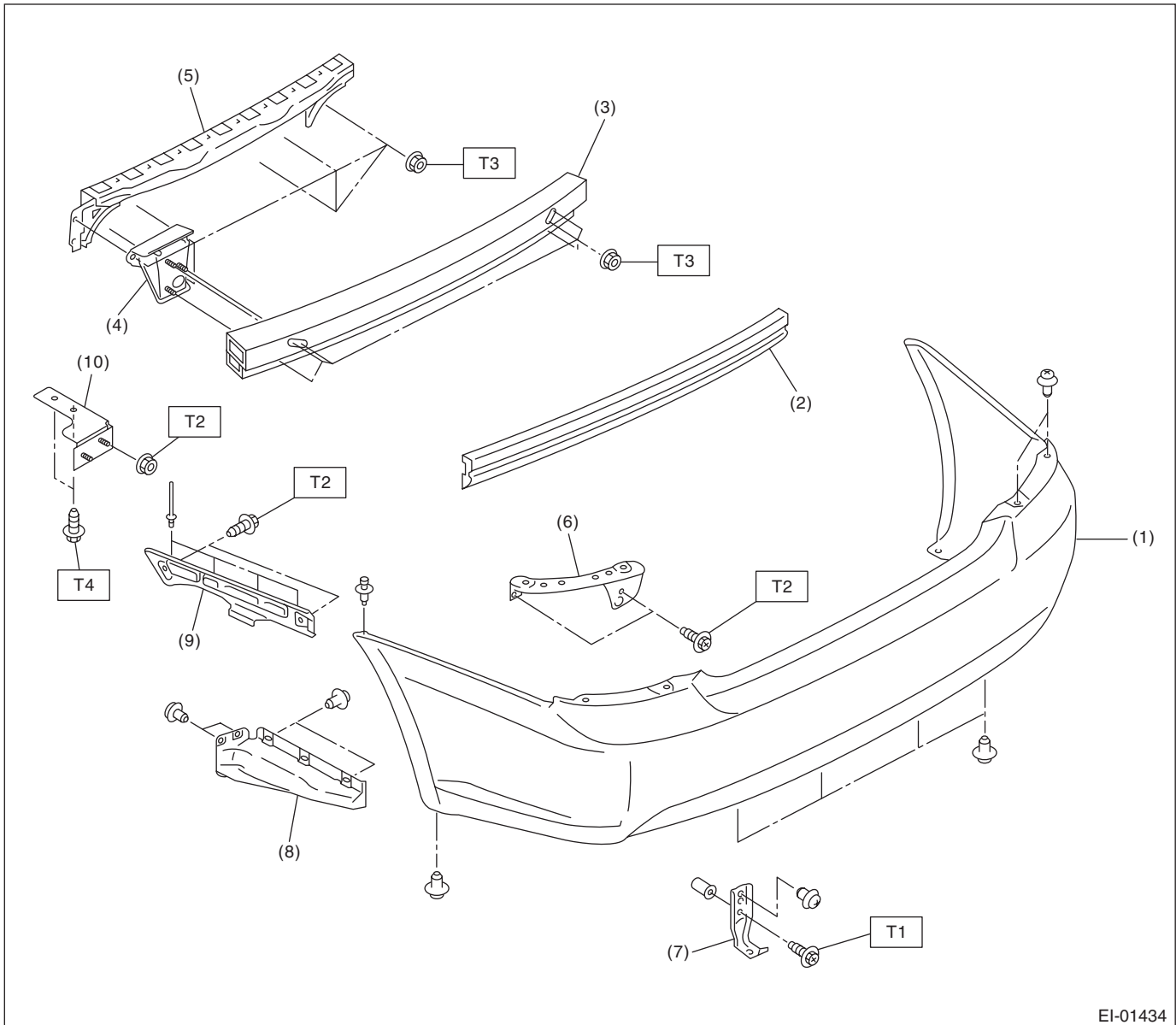
T1: 7.5 (0.77, 5.53)

T2: 33 (3.4, 24)

General Description

EXTERIOR/INTERIOR TRIM

6. REAR BUMPER (SEDAN MODEL)



EI-01434

- | | |
|-------------------------------|--|
| (1) Bumper face | (7) Lower bracket |
| (2) Energy absorber foam | (8) Bumper side support lower |
| (3) Bumper beam reinforcement | (9) Bumper side support upper |
| (4) Bumper beam bracket | (10) Rear bumper gusset (for installing trailer hitch, OUTBACK only) |
| (5) Beam upper rear | |
| (6) Bracket corner | |

Tightening torque: N-m (kgf-m, ft-lb)

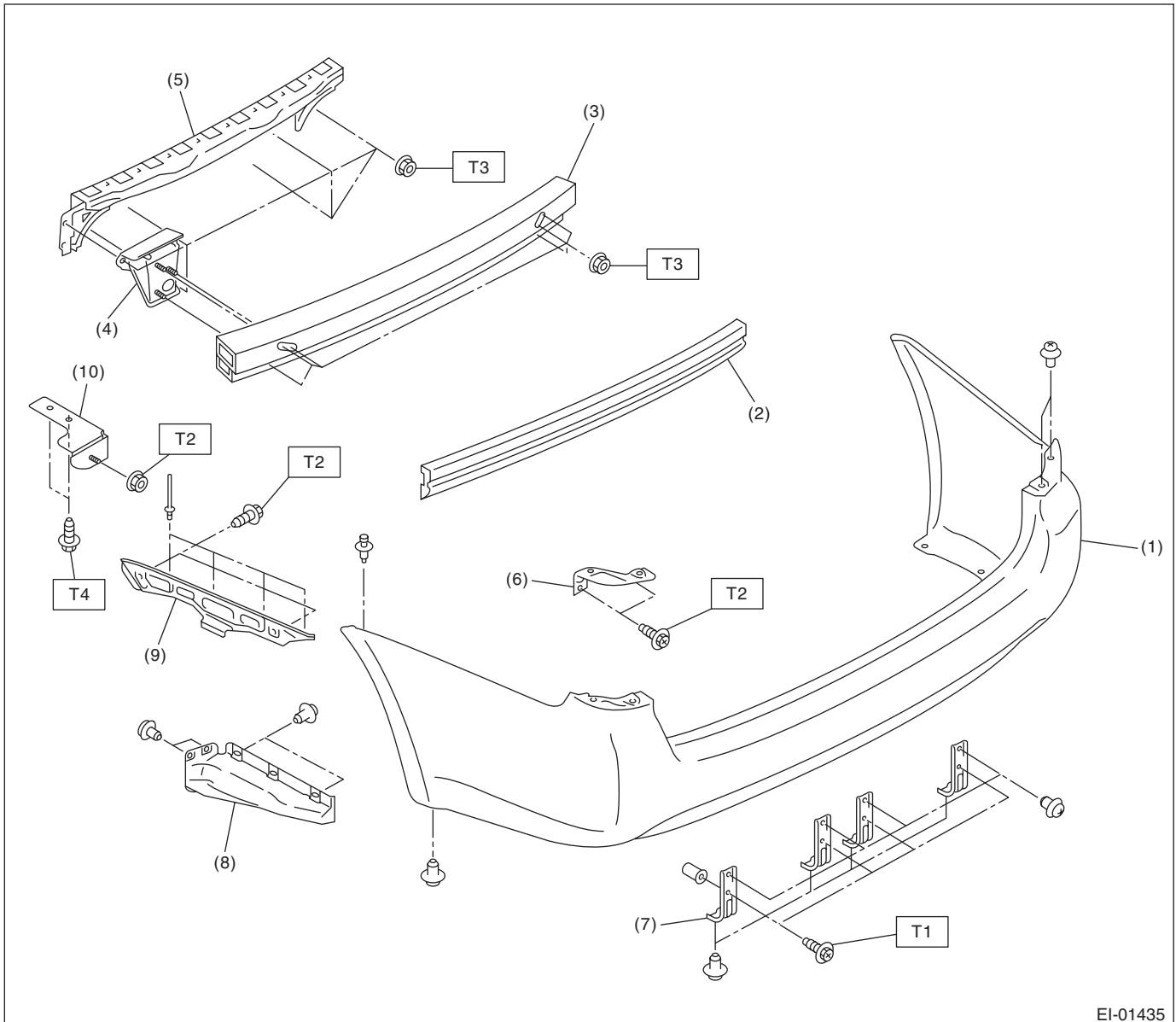
T1: 2 (0.2, 1.48)

T2: 7.5 (0.77, 5.53)

T3: 33 (3.4, 24)

T4: 72 (7.3, 53.1)

7. REAR BUMPER (WAGON MODEL)



EI-01435

- | | |
|-------------------------------|--|
| (1) Bumper face | (7) Lower bracket |
| (2) Energy absorber foam | (8) Bumper side support lower |
| (3) Bumper beam reinforcement | (9) Bumper side support upper |
| (4) Bumper beam bracket | (10) Rear bumper gusset (for installing trailer hitch, OUTBACK only) |
| (5) Beam upper rear | |
| (6) Bracket corner | |

Tightening torque: N-m (kgf-m, ft-lb)

T1: 2 (0.2, 1.48)

T2: 7.5 (0.77, 5.53)

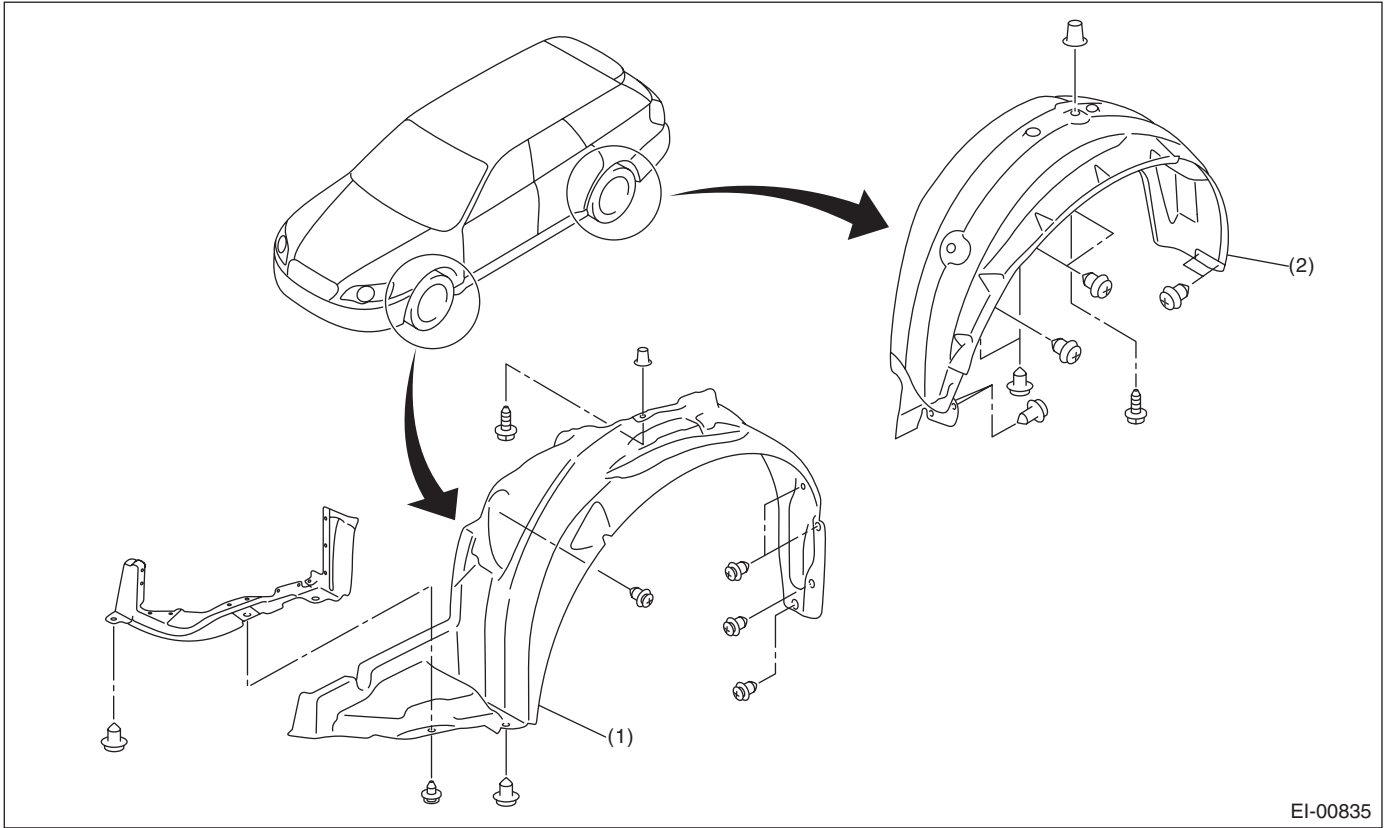
T3: 33 (3.4, 24)

T4: 72 (7.3, 53.1)

General Description

EXTERIOR/INTERIOR TRIM

8. MUD GUARD

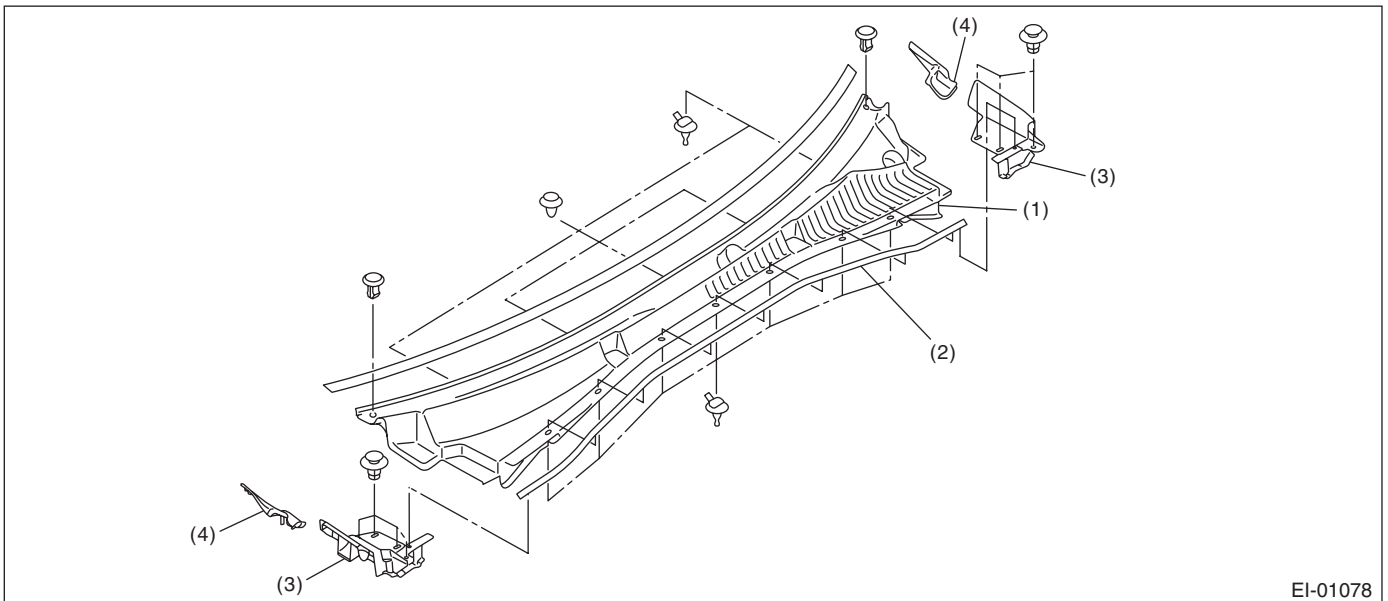


EI-00835

(1) Front mud guard

(2) Rear mud guard

9. COWL PANEL



EI-01078

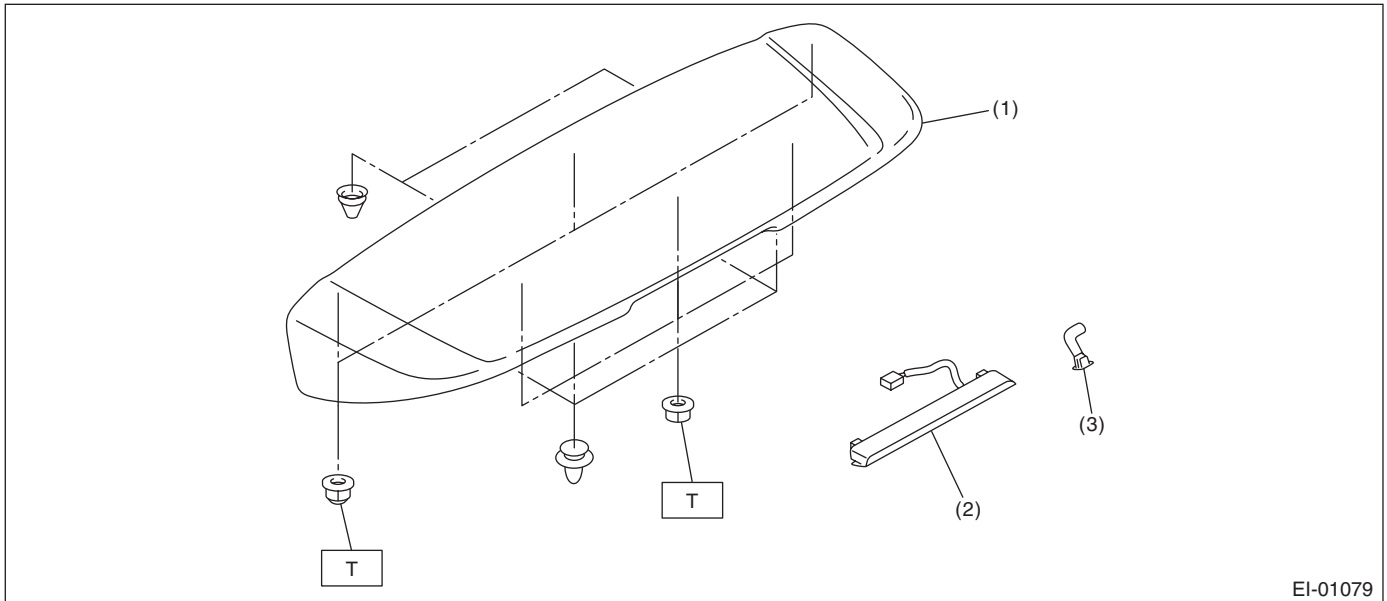
(1) Cowl panel

(2) Weather strip

(3) Cover cowl panel

(4) Cowl side panel

10. ROOF SPOILER



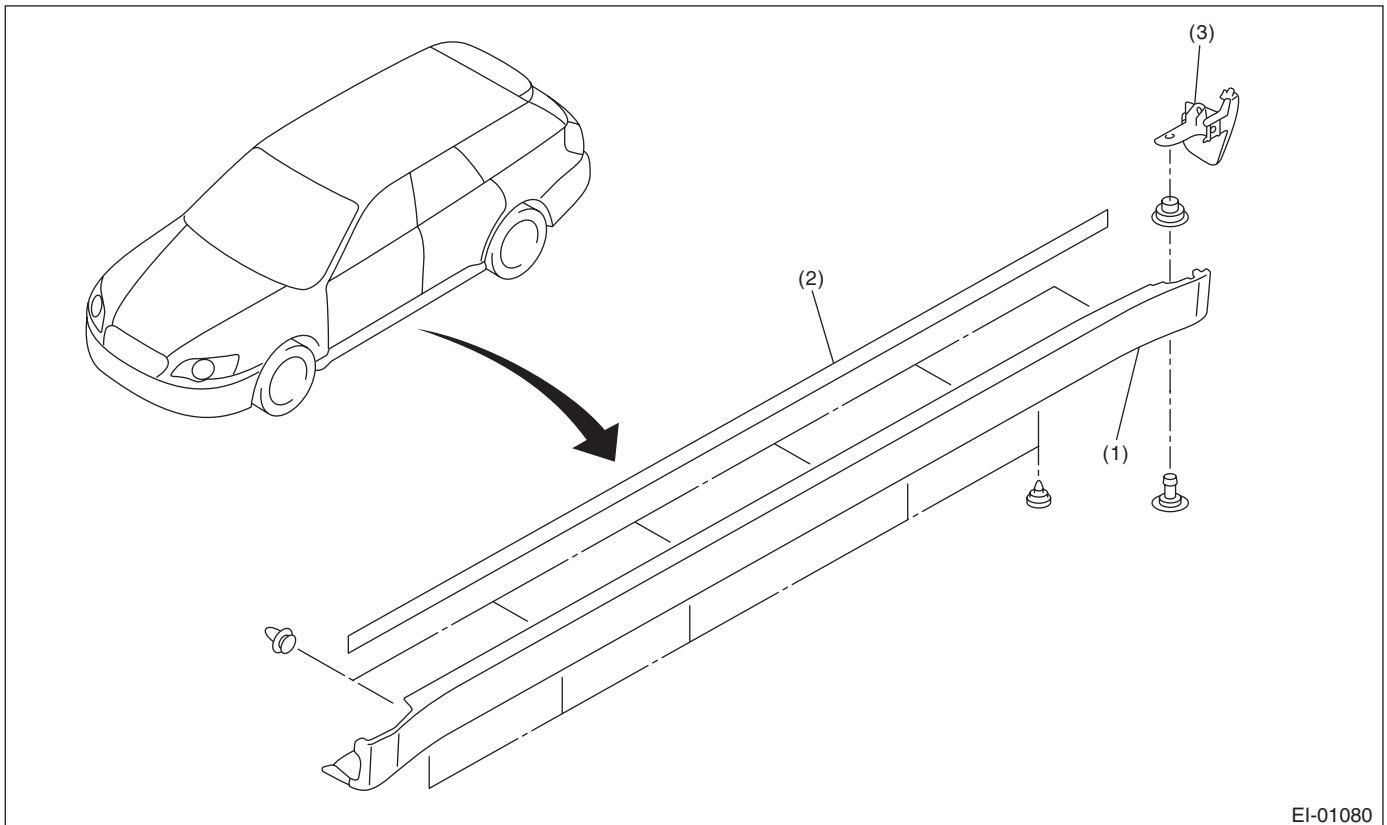
EI-01079

- (1) Roof spoiler
- (2) High-mounted stop light

- (3) Washer nozzle

Tightening torque: N-m (kgf-m, ft-lb)
T: 4.5 (0.46, 3.32)

11. SIDE SILL SPOILER



EI-01080

- (1) Side sill spoiler

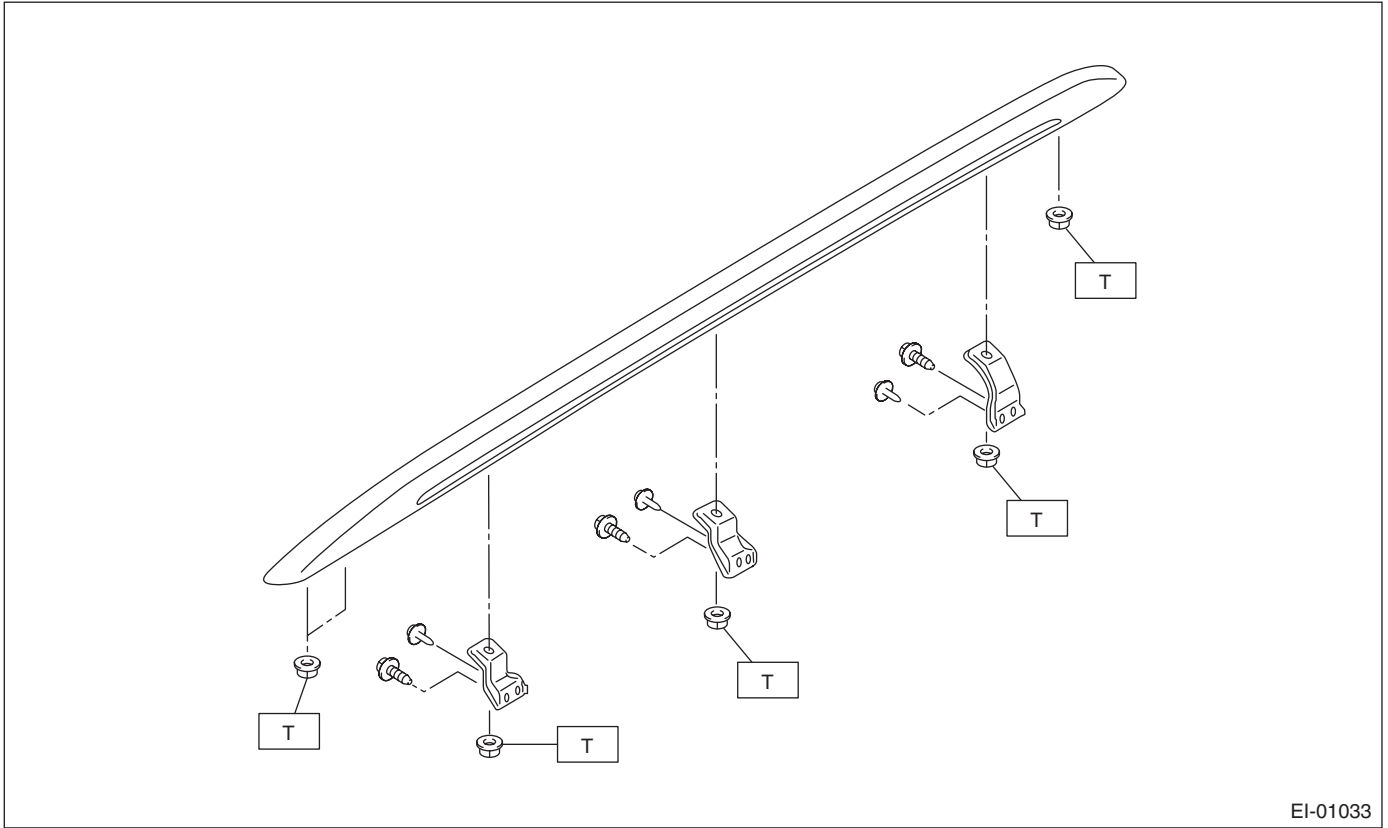
- (2) Double-sided tape

- (3) Air flap side sill end

General Description

EXTERIOR/INTERIOR TRIM

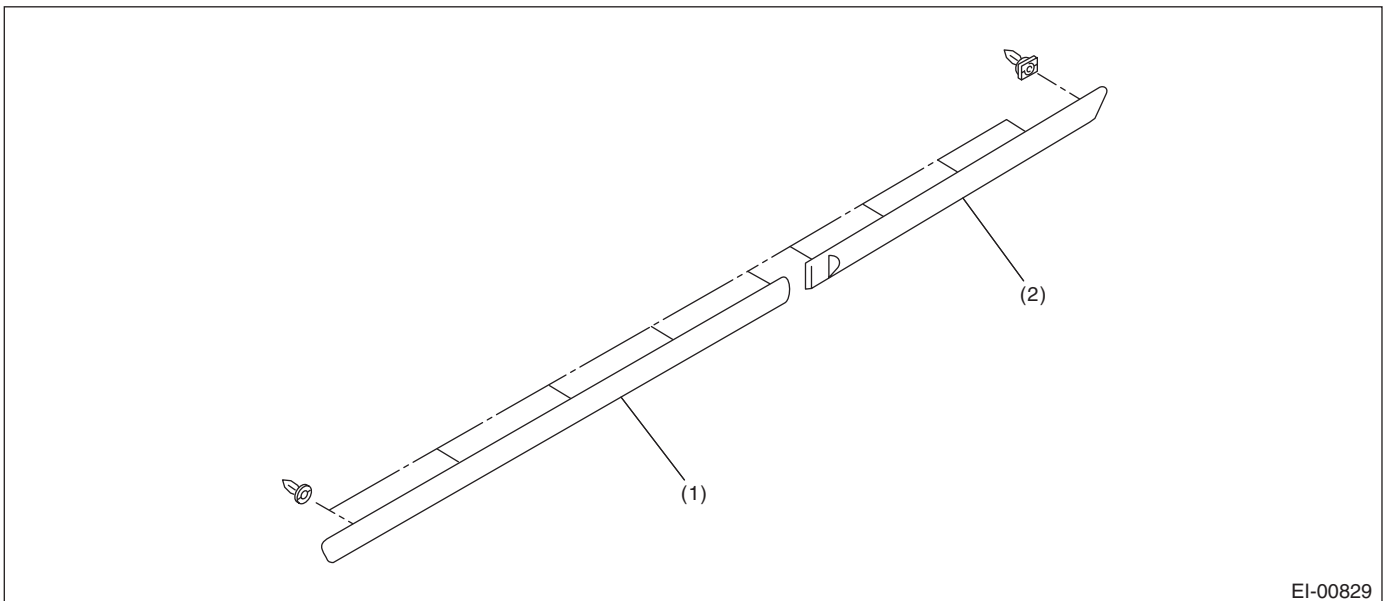
12. ROOF RAIL



EI-01033

Tightening torque: N·m (kgf·m, ft·lb)
T: 7.5 (0.77, 5.53)

13. SIDE PROTECTOR

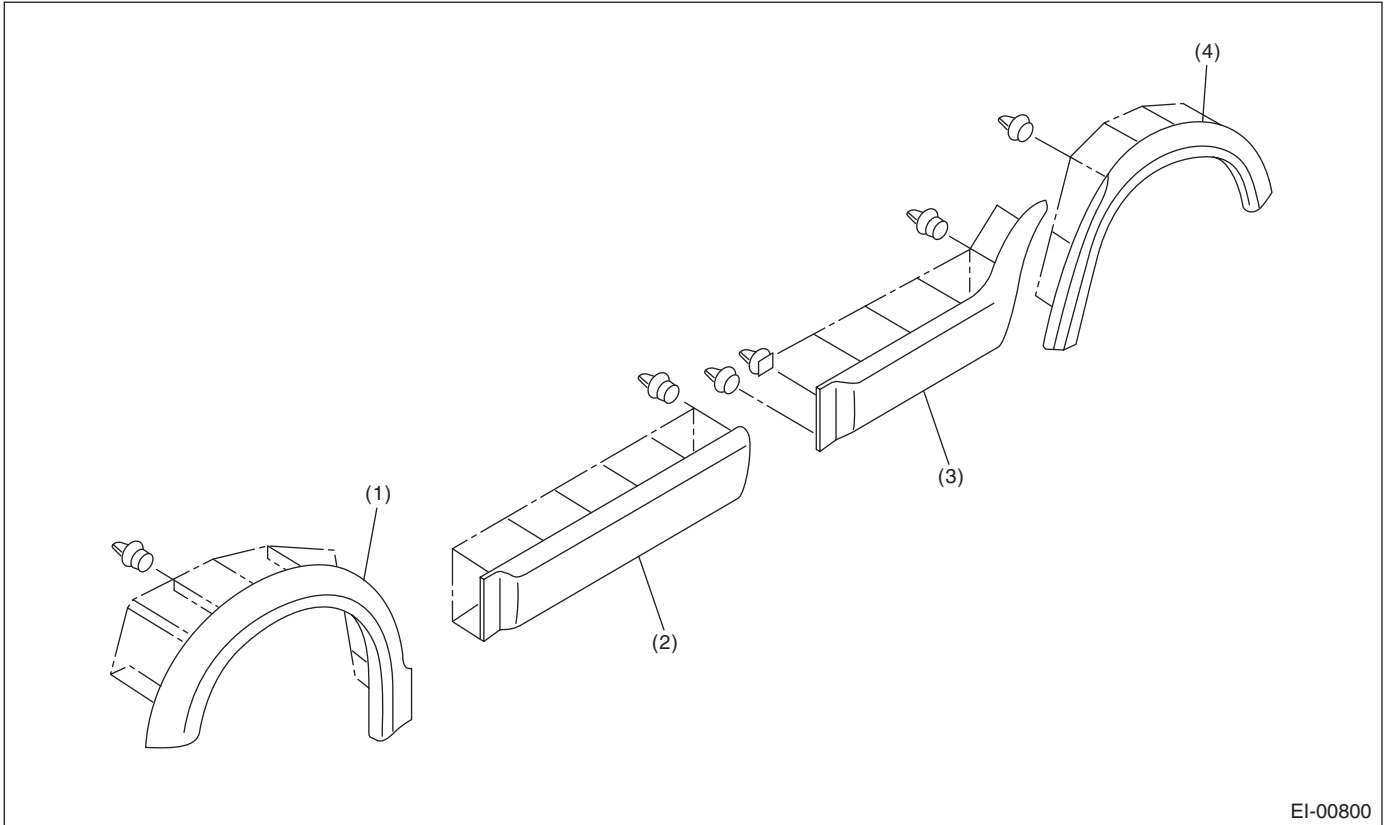


EI-00829

(1) Front door protector

(2) Rear door protector

14.SIDE GARNISH

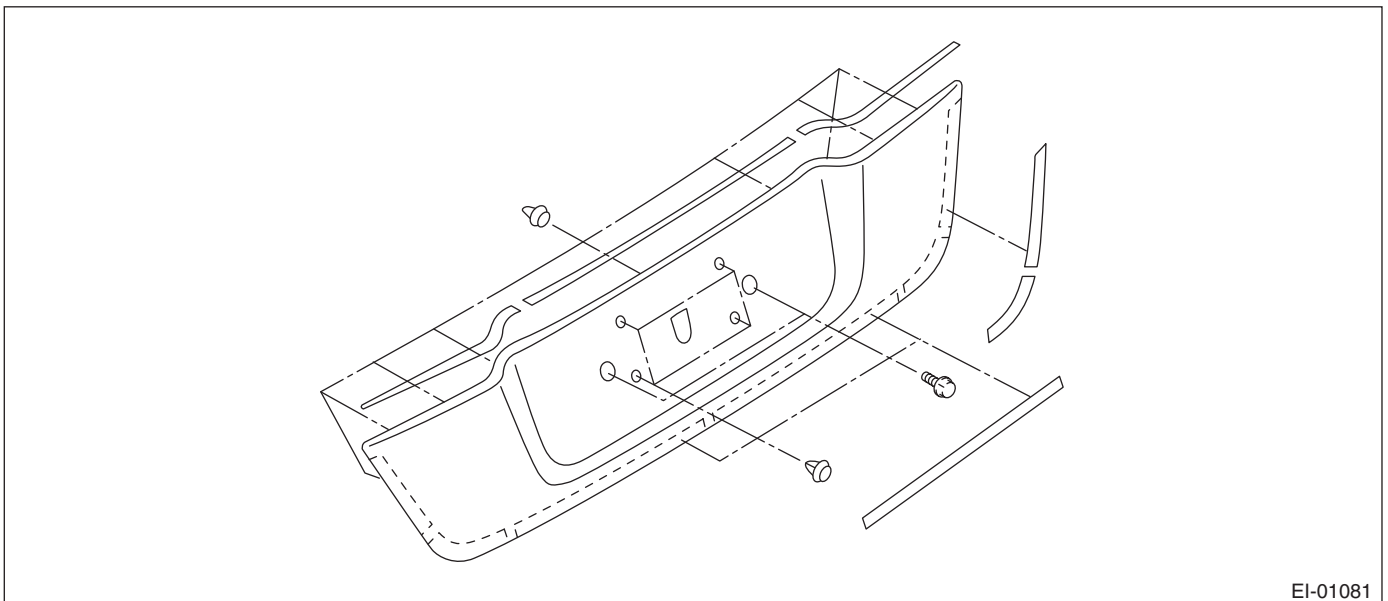


(1) Front fender garnish
(2) Front door garnish

(3) Rear door garnish

(4) Rear quarter garnish

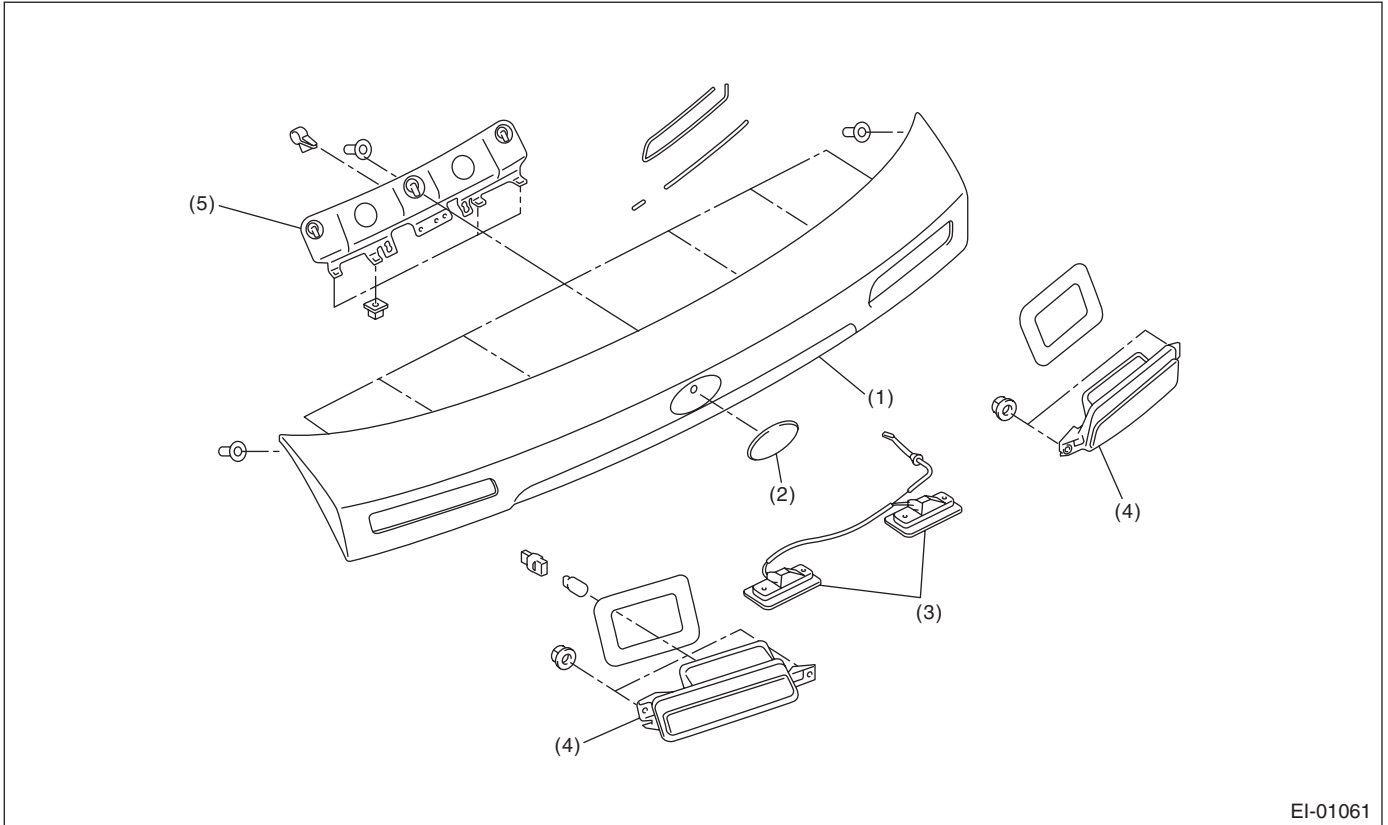
15.TRUNK LID GARNISH



General Description

EXTERIOR/INTERIOR TRIM

16.REAR GATE GARNISH



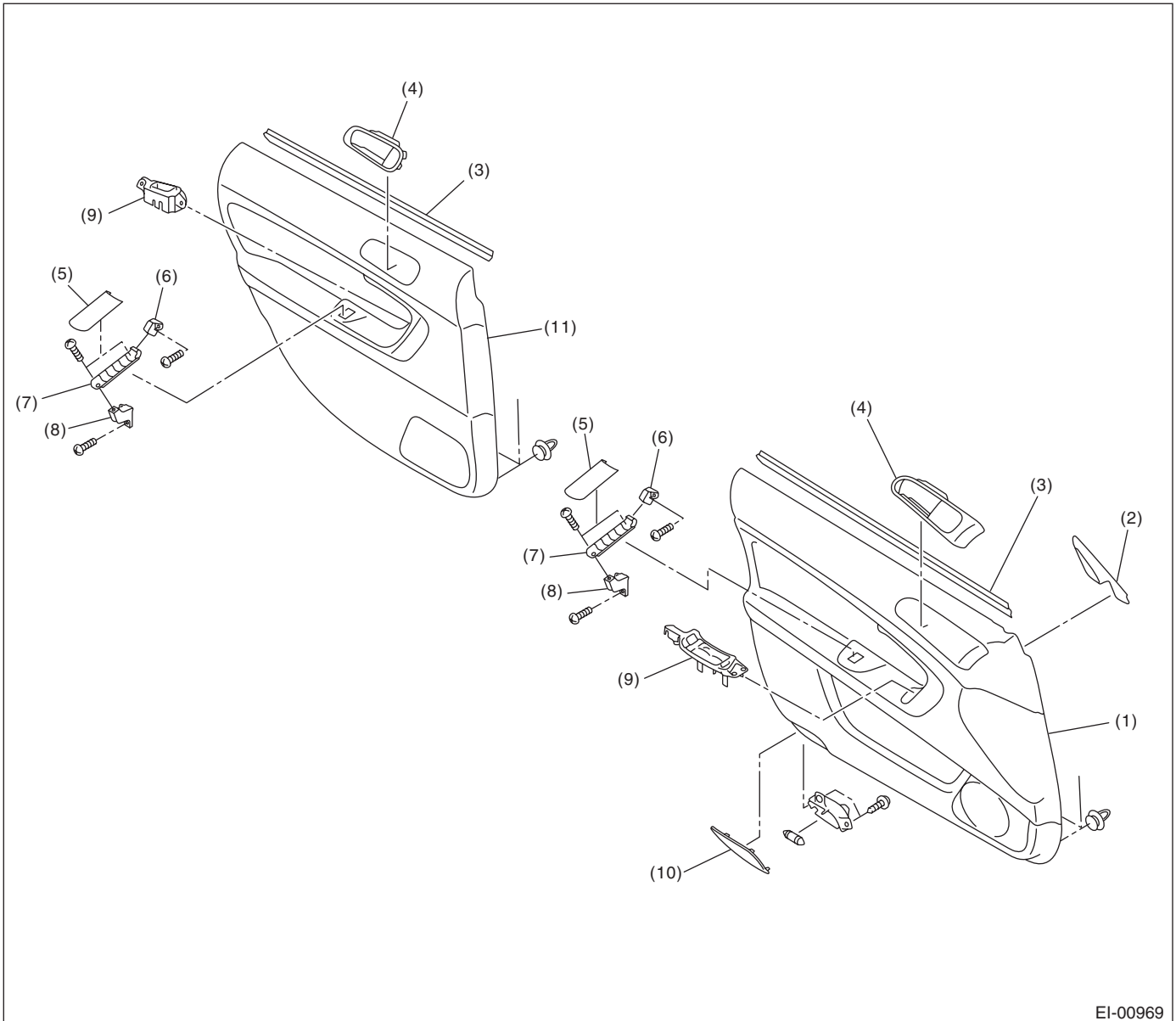
EI-01061

(1) Rear gate garnish
(2) Ornament

(3) License plate light
(4) Back-up light

(5) License plate light bracket

17.DOOR TRIM



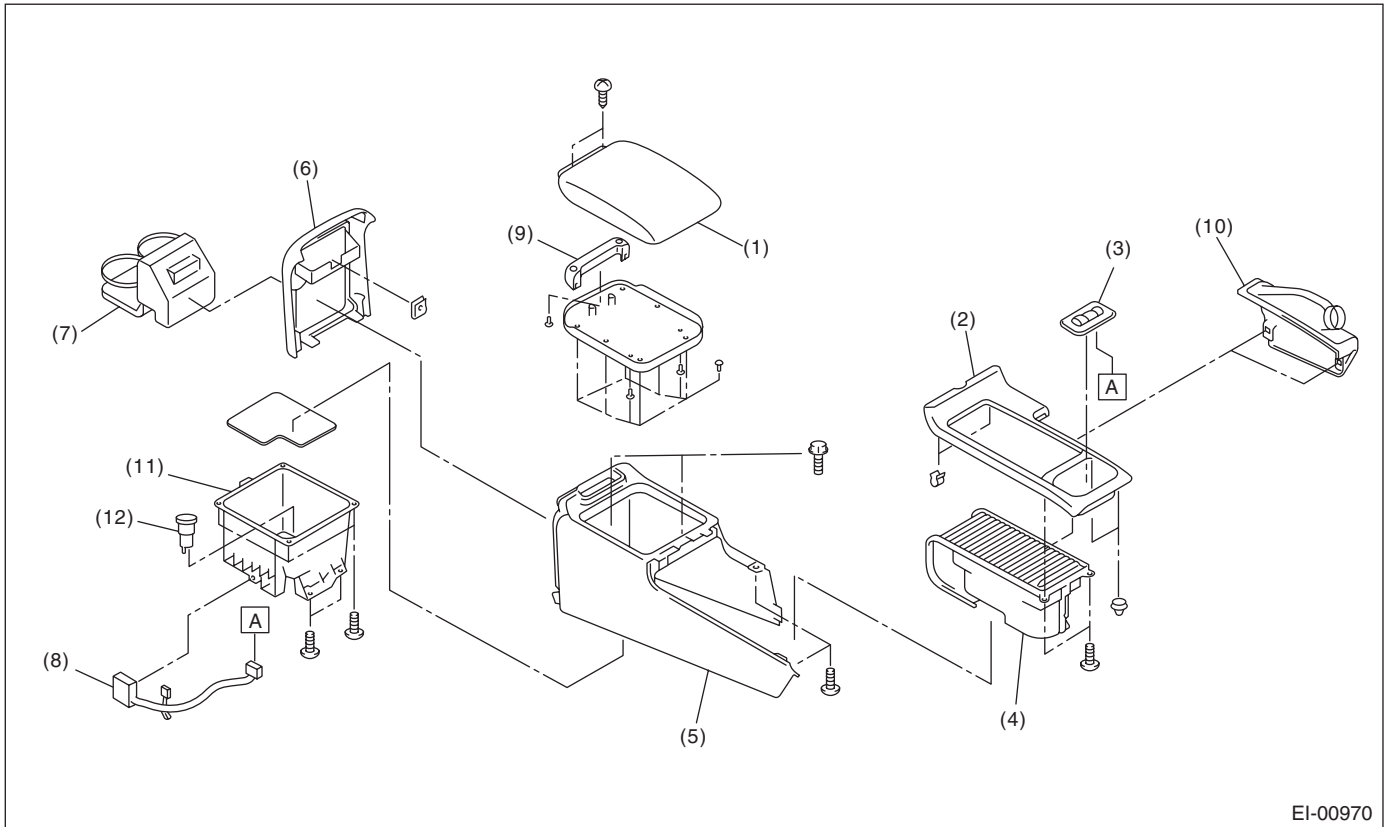
EI-00969

- | | | |
|-------------------------|-----------------------------|-------------------------|
| (1) Front door trim | (5) Door grip | (9) Power window switch |
| (2) Gusset cover | (6) Door grip bracket upper | (10) Step light cover |
| (3) Upper weather strip | (7) Door grip frame | (11) Rear door trim |
| (4) Inner remote cover | (8) Door grip bracket lower | |

General Description

EXTERIOR/INTERIOR TRIM

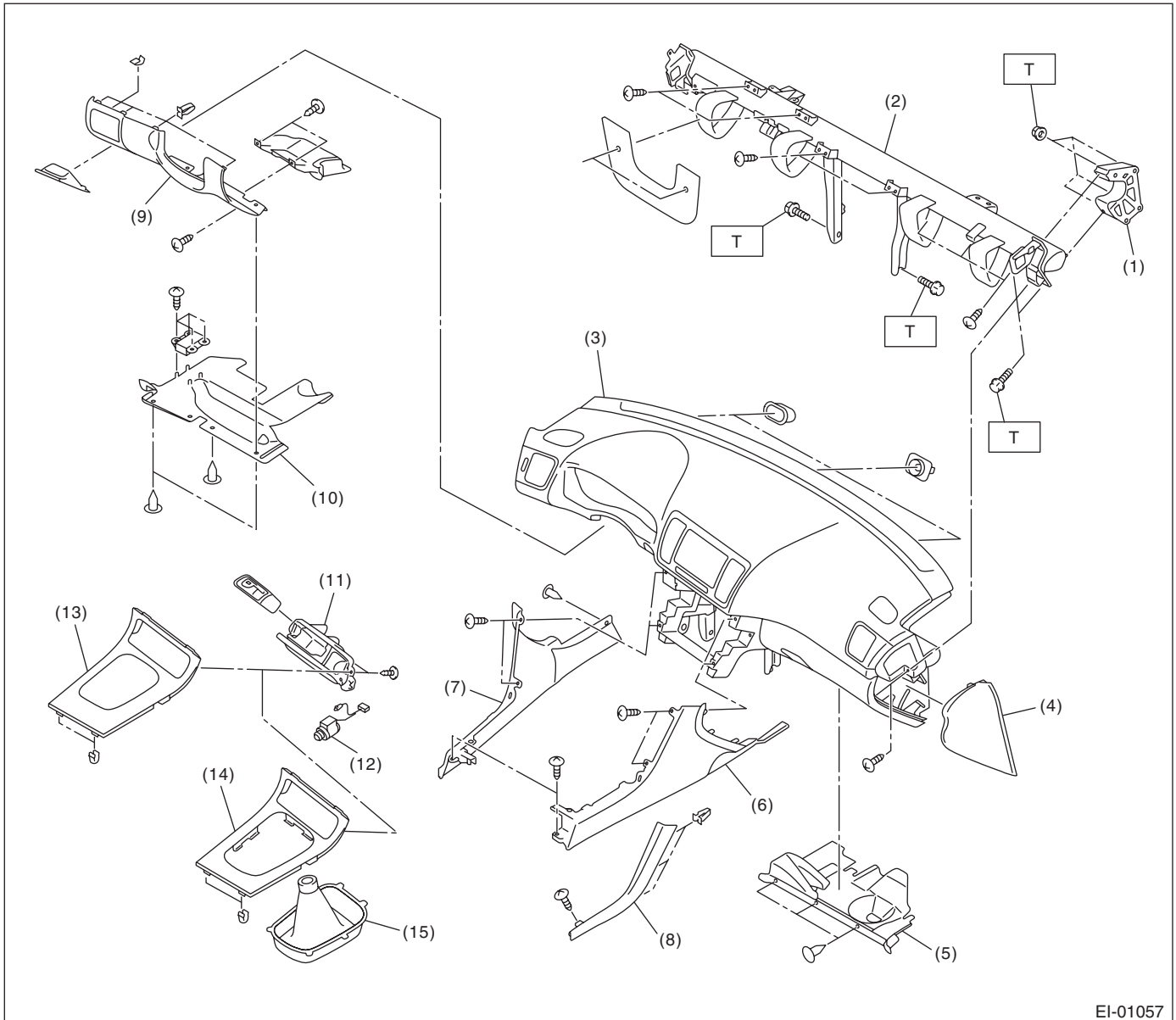
18. CONSOLE BOX



EI-00970

- | | | |
|------------------------|-------------------------|--|
| (1) Upper lid | (6) Rear lid | (10) Parking brake lever boot |
| (2) Console cover | (7) Rear cup holder | (11) Console pocket |
| (3) Seat heater switch | (8) Console box harness | (12) Front accessory power supply socket |
| (4) Front cup holder | (9) Lid hinge | |
| (5) Console box outer | | |

19. INSTRUMENT PANEL



EI-01057

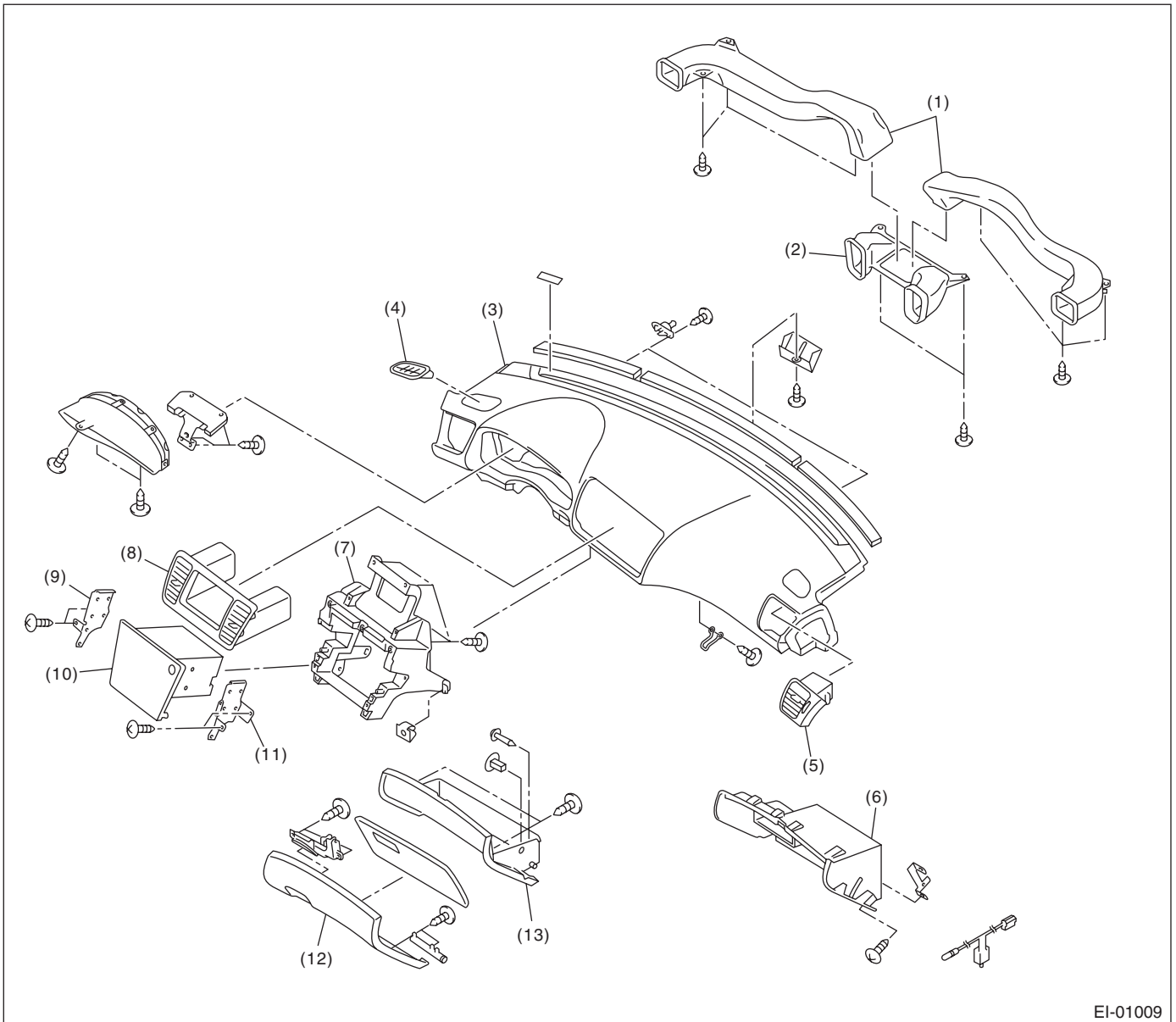
- | | | |
|---------------------------------------|--|-------------------------------------|
| (1) Steering support beam bracket | (8) Console side garnish | (13) Console front panel (AT model) |
| (2) Steering support beam | (9) Instrument panel lower cover upper | (14) Console front panel (MT model) |
| (3) Instrument panel pad & frame ASSY | (10) Instrument panel lower cover under | (15) Shift lever boot (MT model) |
| (4) Instrument panel side cover | (11) Ash tray holder | |
| (5) Glove box lower cover | (12) Front accessory power supply socket | |
| (6) Console side panel RH | | |
| (7) Console side panel LH | | |

Tightening torque: N·m (kgf·m, ft·lb)

T: 25 (25.5, 18)

General Description

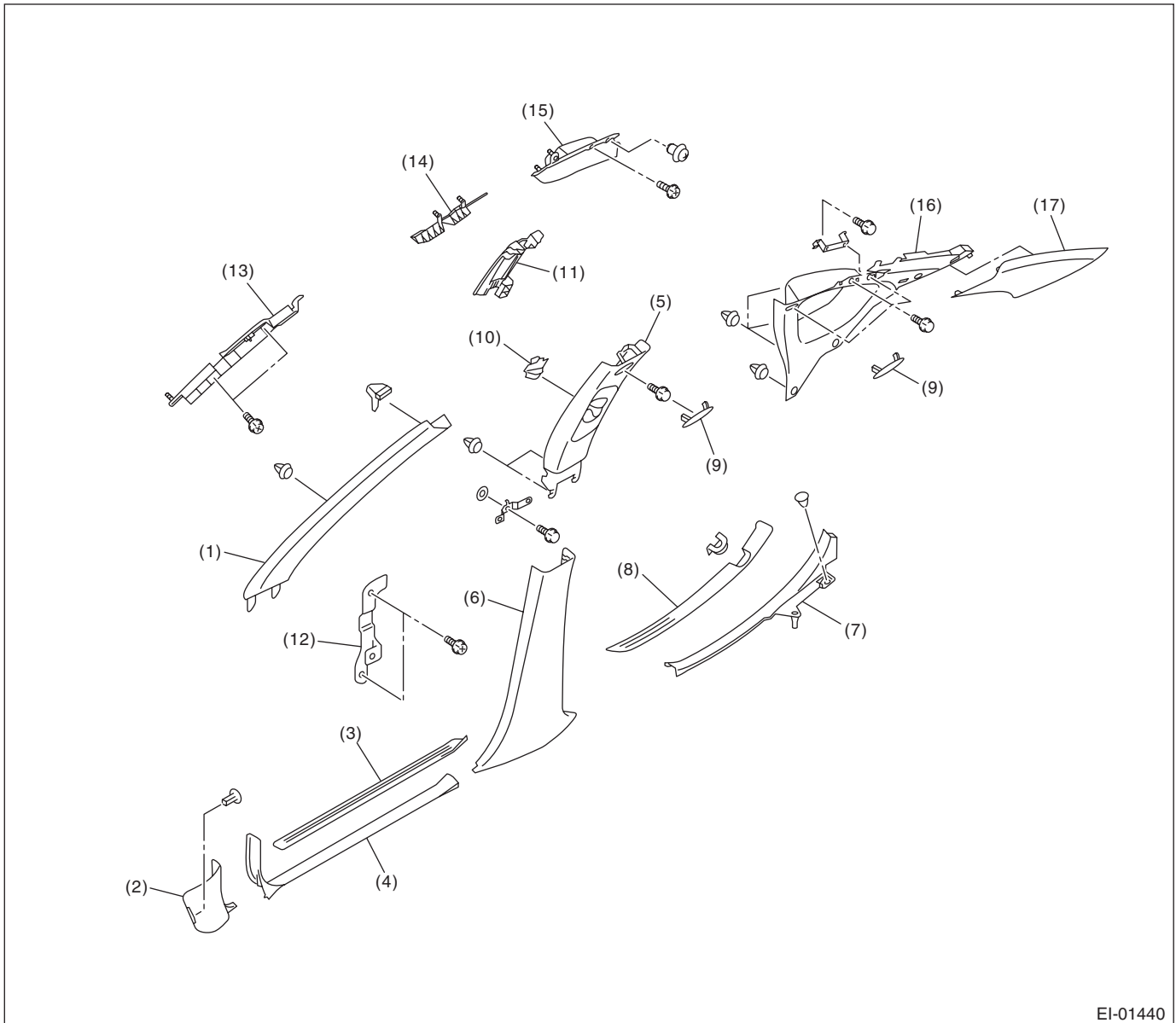
EXTERIOR/INTERIOR TRIM



EI-01009

- | | | |
|----------------------------------|----------------------------|-------------------------|
| (1) Air vent side duct | (6) Glove box panel | (10) Center panel |
| (2) Air vent center duct | (7) Center console frame | (11) Audio bracket (RH) |
| (3) Instrument panel pad & frame | (8) Air vent center grille | (12) Glove box lid |
| (4) Air vent defroster grille | (9) Audio bracket (LH) | (13) Glove box |
| (5) Air vent side grille | | |

20.INNER TRIM (SEDAN MODEL)



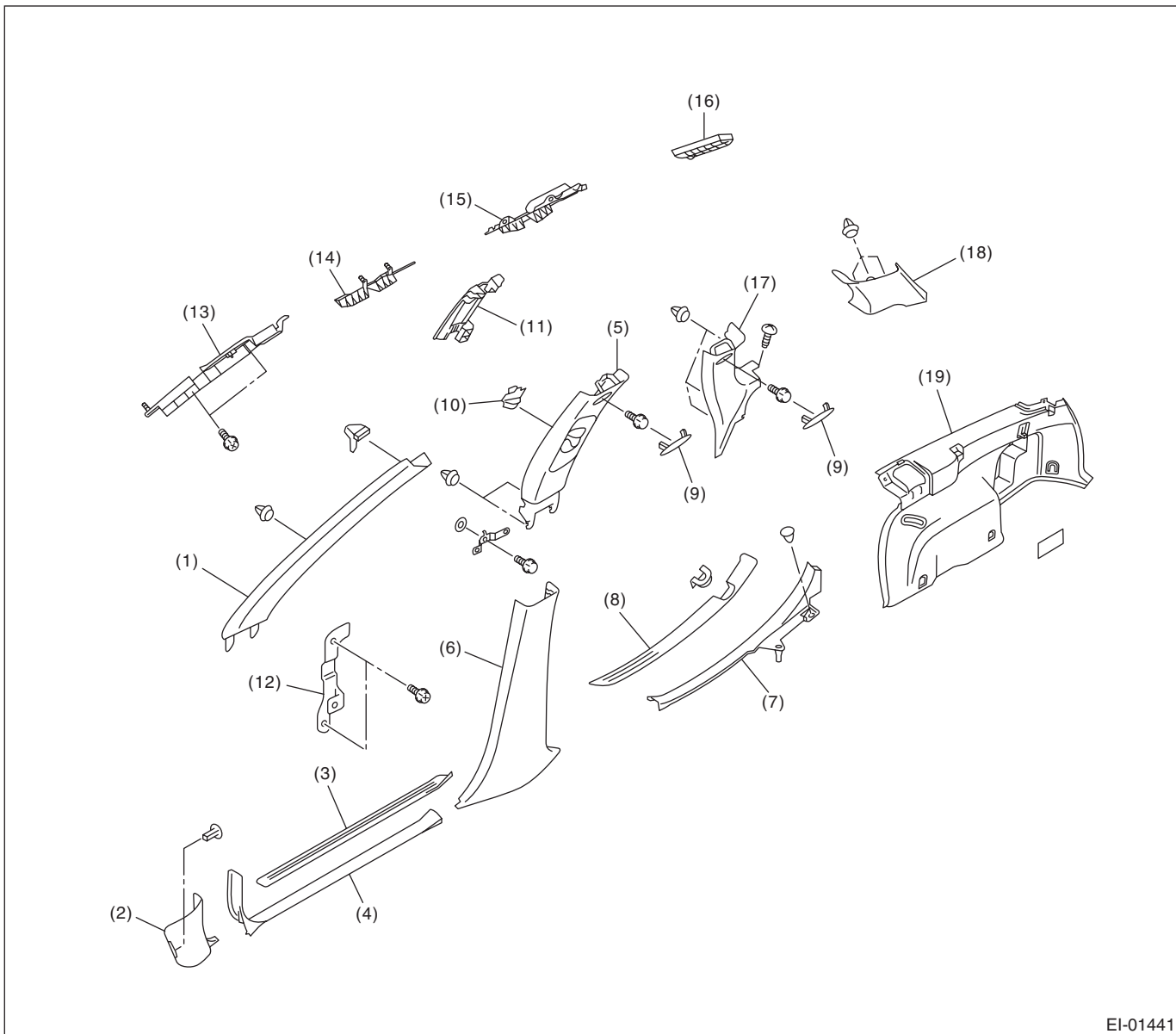
EI-01440

- | | | |
|-------------------------------|--|--|
| (1) Front pillar upper trim | (7) Rear inside scuff plate | (12) Center pillar inner protector lower |
| (2) Front pillar lower trim | (8) Rear outside scuff plate | (13) Curtain airbag guide front |
| (3) Front outside scuff plate | (9) Bolt cover | (14) Curtain airbag guide center |
| (4) Front inside scuff plate | (10) Seat belt shoulder anchor adjuster button | (15) Curtain airbag guide rear |
| (5) Center pillar upper trim | (11) Center pillar inner protector upper | (16) Rear quarter trim front |
| (6) Center pillar lower trim | | (17) Rear quarter trim rear |

General Description

EXTERIOR/INTERIOR TRIM

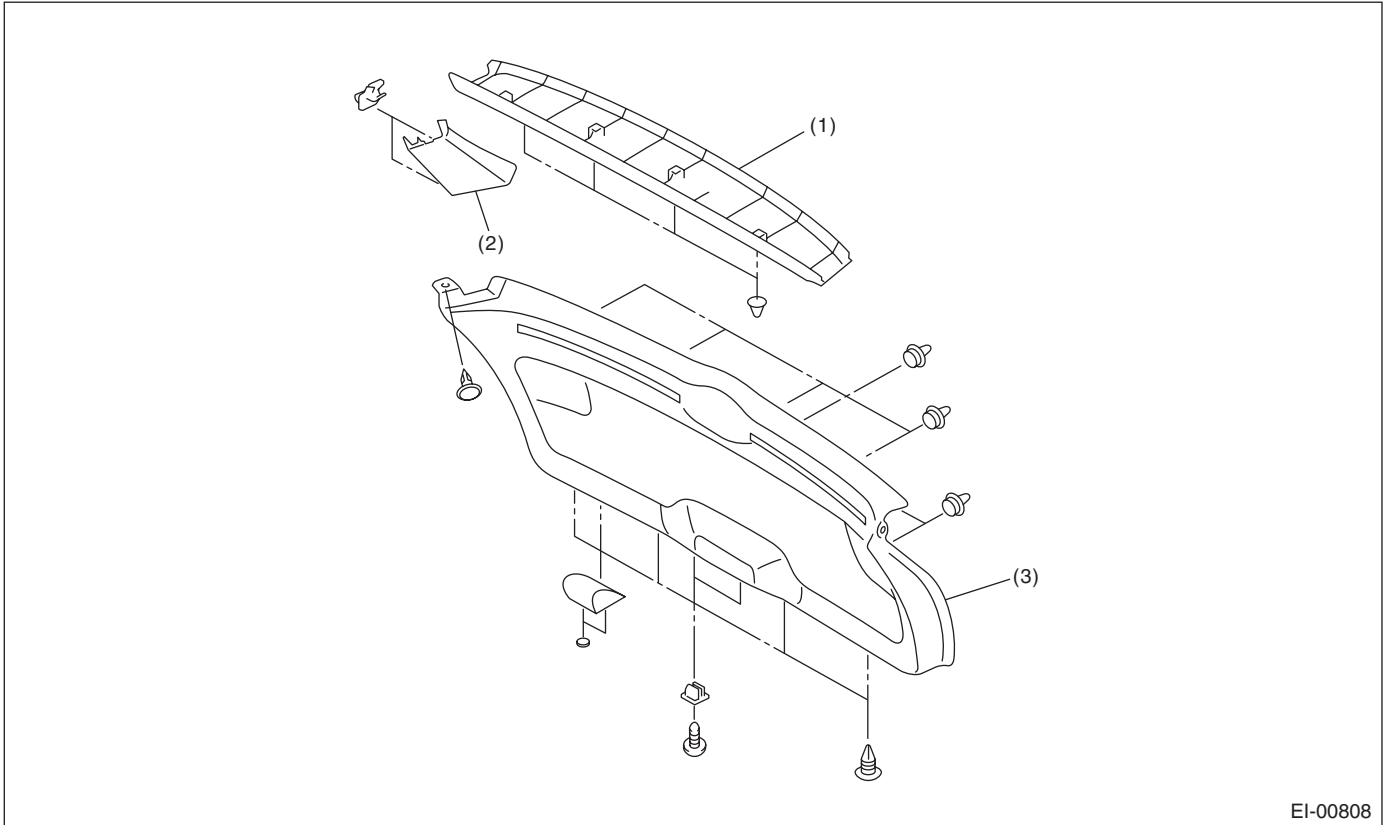
21.INNER TRIM (WAGON MODEL)



EI-01441

- | | | |
|-------------------------------|--|--------------------------------------|
| (1) Front pillar upper trim | (8) Rear outside scuff plate | (14) Curtain airbag guide center |
| (2) Front pillar lower trim | (9) Bolt cover | (15) Curtain airbag guide rear |
| (3) Front outside scuff plate | (10) Seat belt shoulder anchor adjuster | (16) Curtain airbag module protector |
| (4) Front inside scuff plate | (11) Center pillar inner protector upper | (17) Rear quarter front pillar trim |
| (5) Center pillar upper trim | (12) Center pillar inner protector lower | (18) Rear quarter rear pillar trim |
| (6) Center pillar lower trim | (13) Curtain airbag guide front | (19) Rear quarter lower trim |
| (7) Rear inside scuff plate | | |

22. REAR GATE TRIM



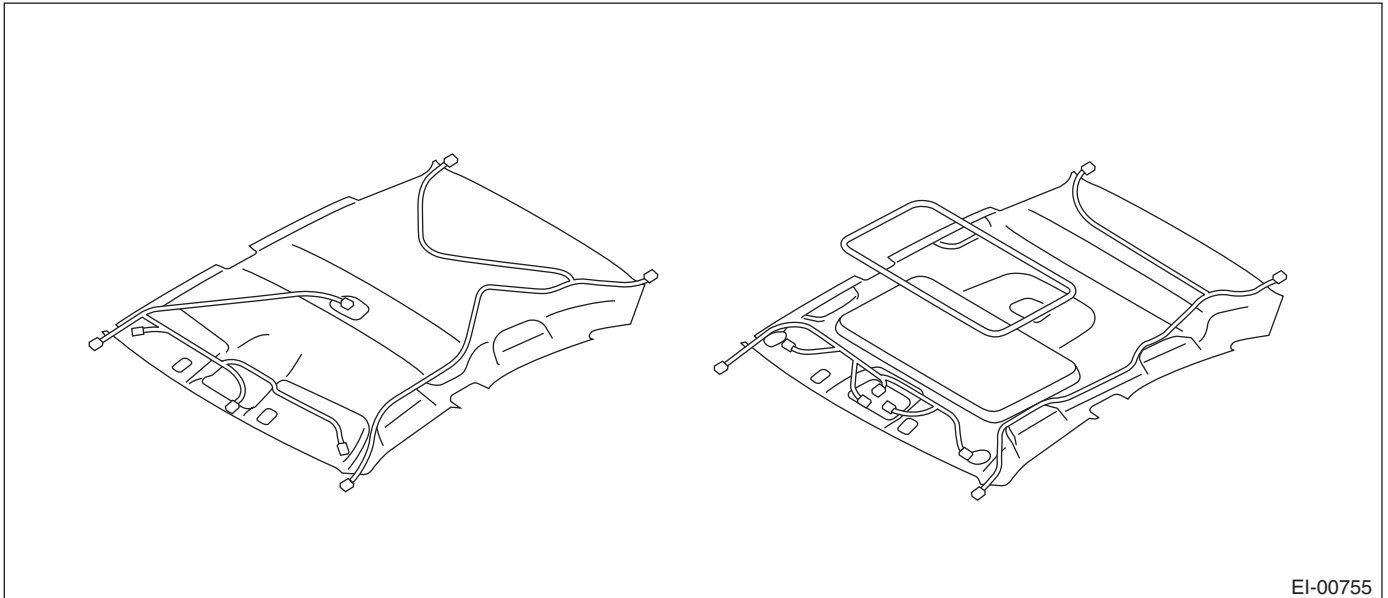
EI-00808

(1) Rear gate panel upper trim

(2) Rear gate panel pillar trim

(3) Rear gate panel lower trim

23. ROOF TRIM (SEDAN MODEL)

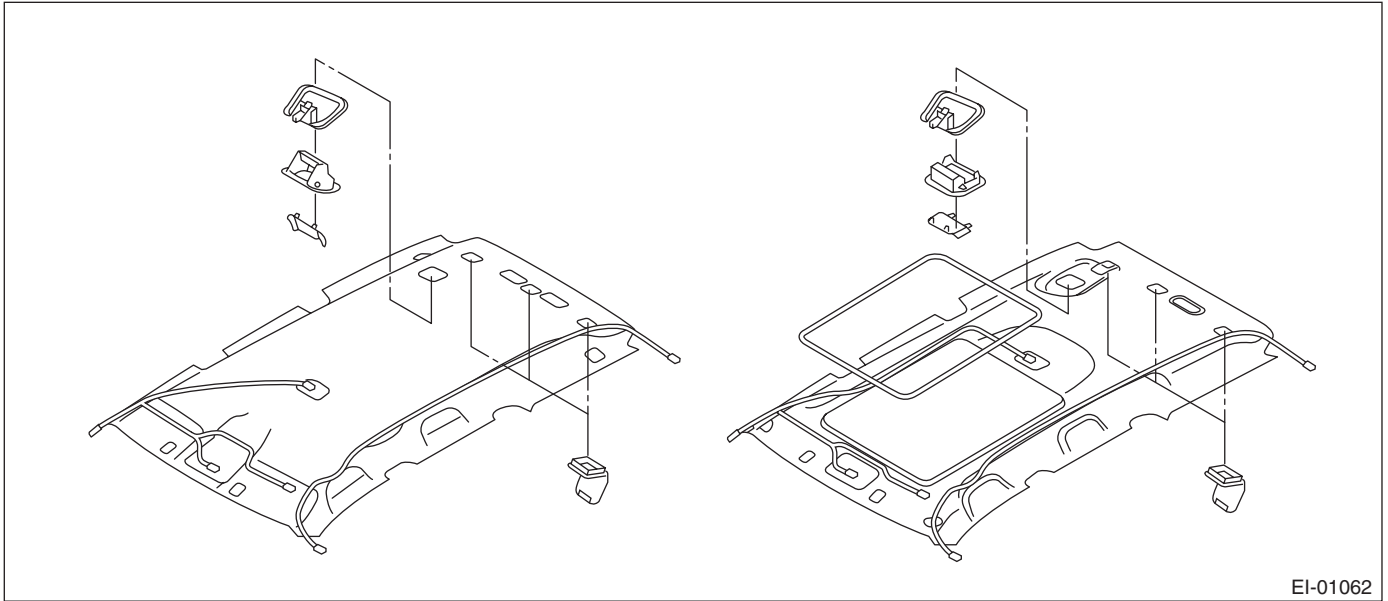


EI-00755

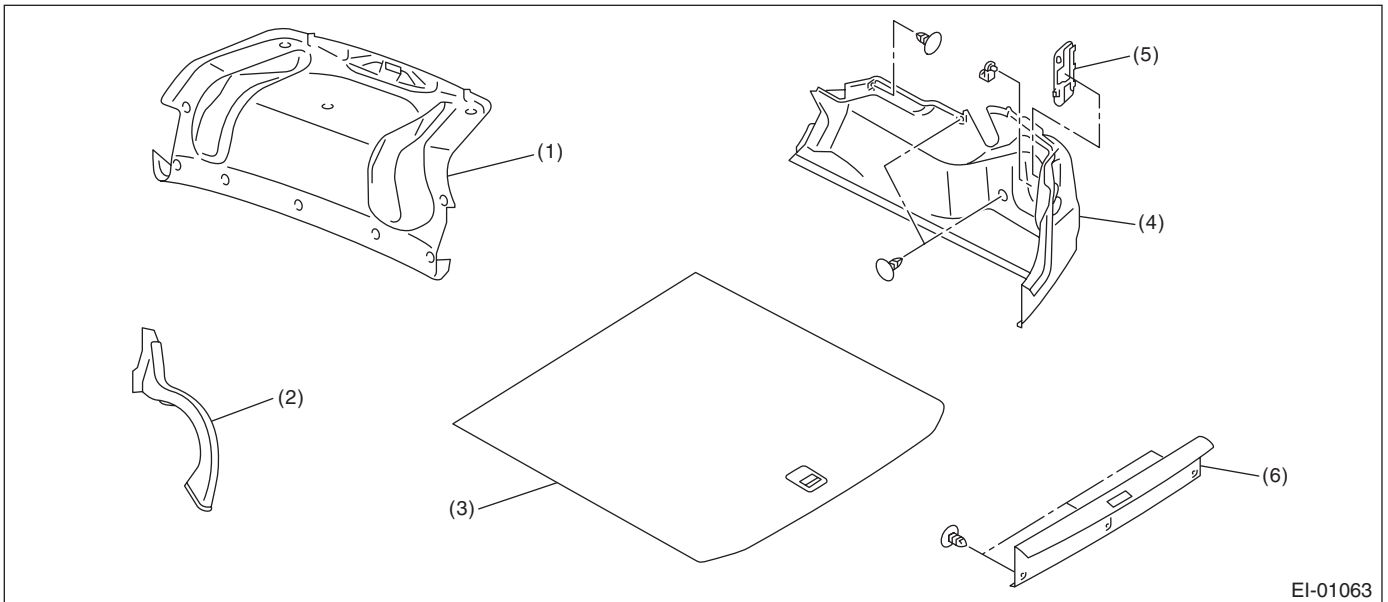
General Description

EXTERIOR/INTERIOR TRIM

24. ROOF TRIM (WAGON MODEL)



25. TRUNK ROOM TRIM

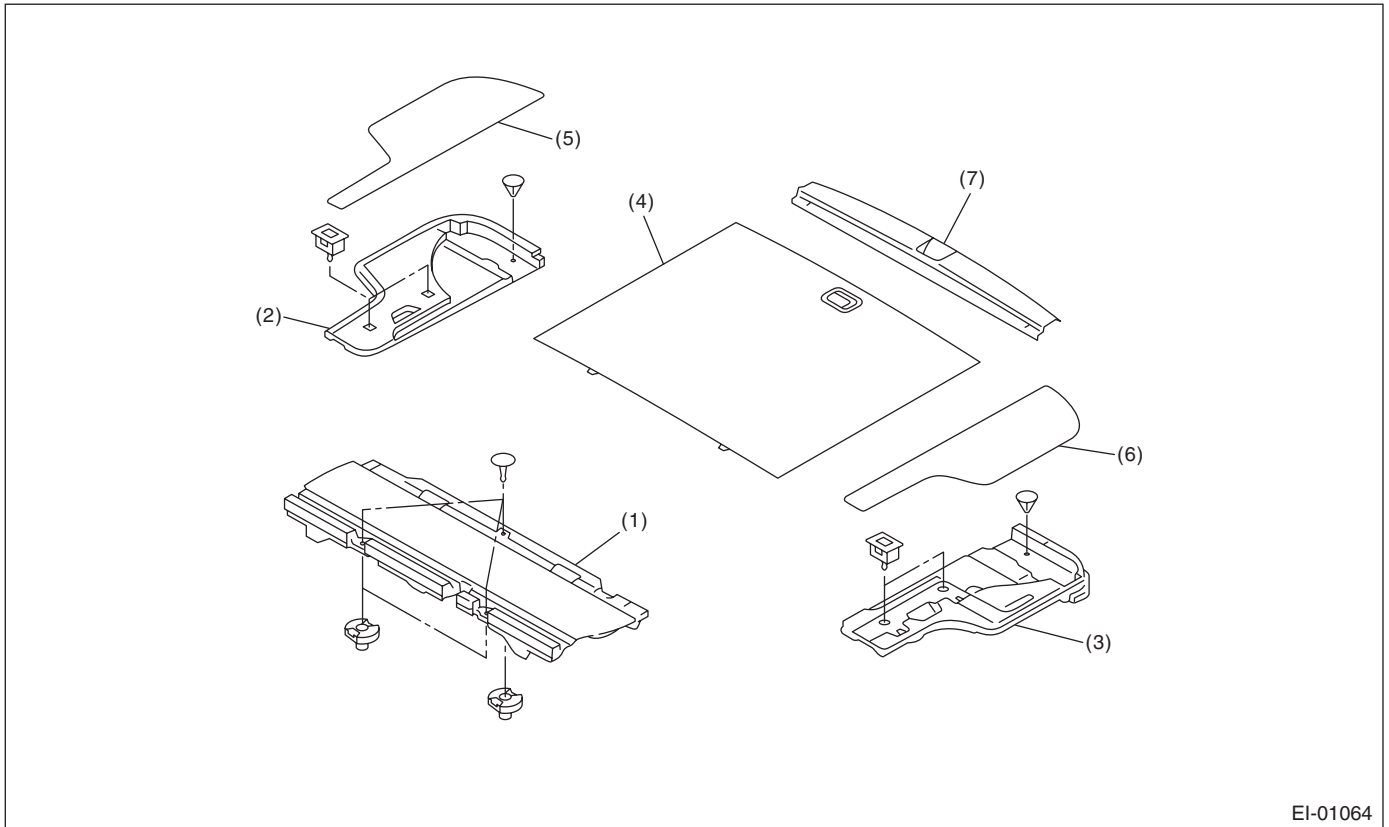


- (1) Trunk lid trim
- (2) Trunk lid arm cover

- (3) Trunk room mat
- (4) Trunk side trim

- (5) Combination light cover
- (6) Trunk room end cover

26.LUGGAGE FLOOR MAT



- (1) Front floor mat
- (2) Floor box (RH)
- (3) Floor box (LH)

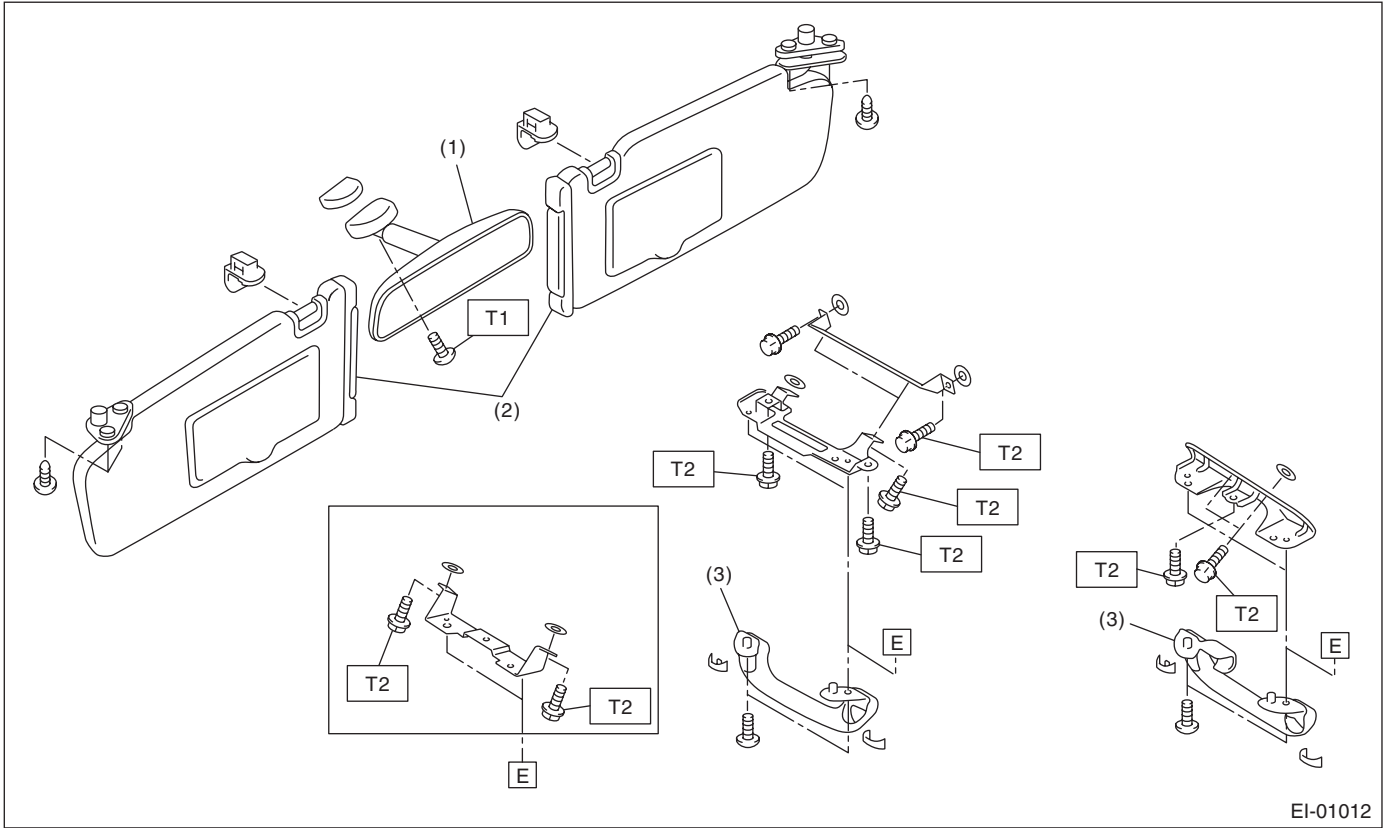
- (4) Center floor mat
- (5) Side floor mat (RH)

- (6) Side floor mat (LH)
- (7) Luggage floor end cover

General Description

EXTERIOR/INTERIOR TRIM

27.ROOM INNER PARTS

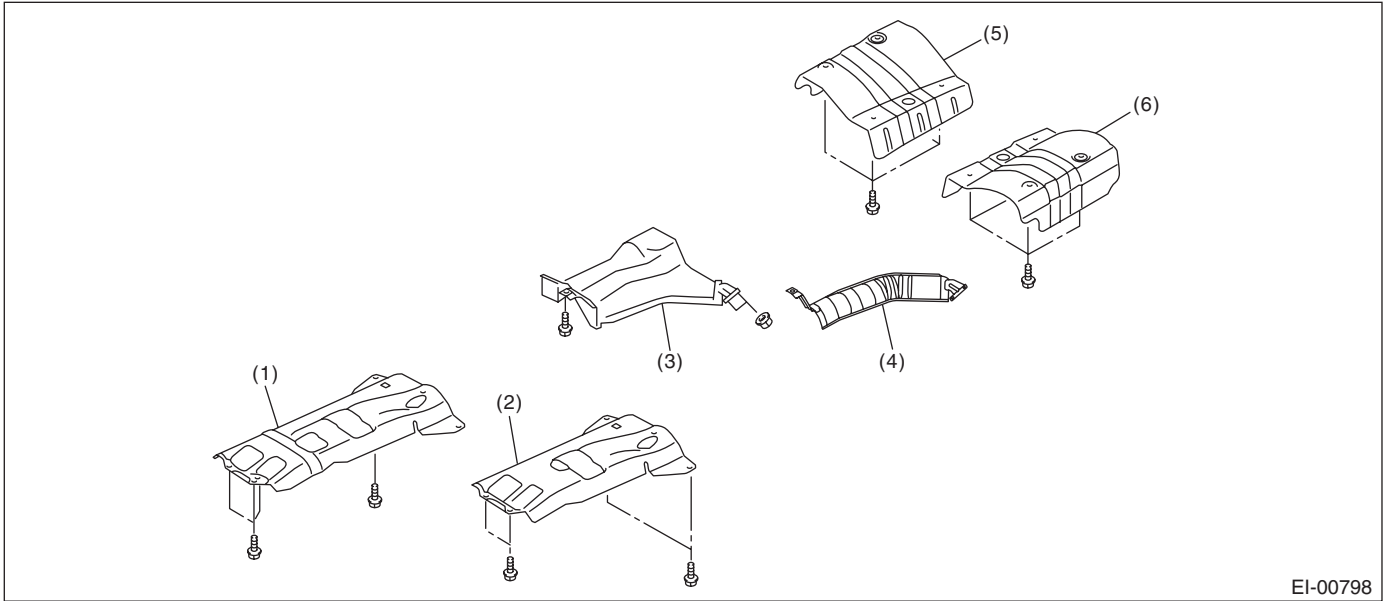


- (1) Room mirror
- (2) Sun visor

- (3) Assist grip

Tightening torque: N·m (kgf·m, ft·lb)
T1: 2.0 (0.2, 1.48)
T2: 7.5 (0.77, 5.53)

28.HEAT SHIELD COVER



EI-00798

(1) Front heat shield cover (5AT model)

(2) Front heat shield cover (4AT model and MT model)

(3) Center heat shield cover (Turbo model)

(4) Center heat shield cover (Non-turbo model)

(5) Rear heat shield cover RH

(6) Rear heat shield cover LH

B: PREPARATION TOOL

TOOL NAME	REMARKS
Clip remover	Used for removing trim.
Clip clamp pliers	Used for removal of various clips and clamps.