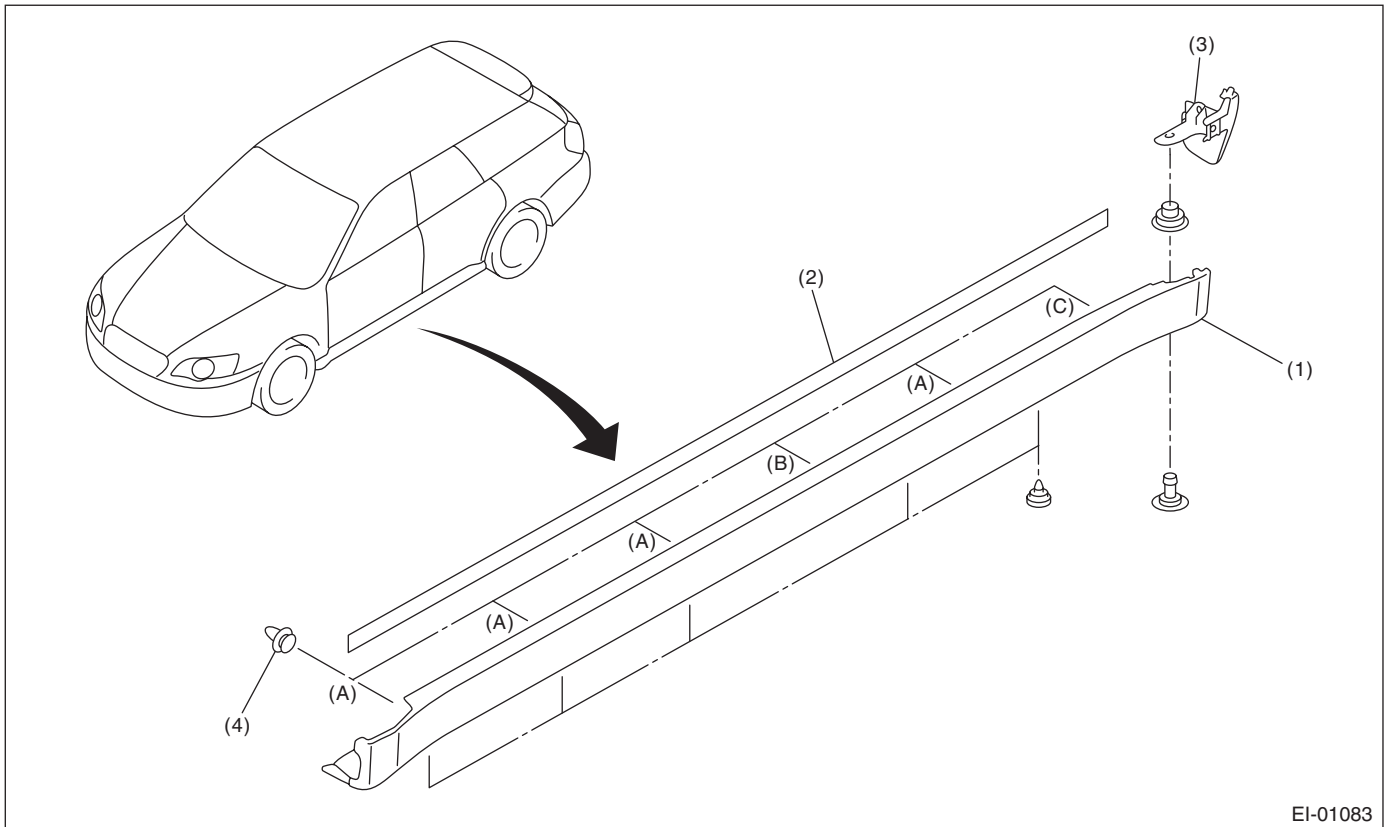


12.Side Sill Spoiler

A: REMOVAL

Remove the clips (two in the front fender arch, six for side sill spoiler lower area), and remove the side spoiler.



(1) Side sill spoiler
(2) Double-sided tape

(3) End cover

(4) Clip

(A) Gray clip

(B) Green clip

(C) Black clip

NOTE:

When peeling the double sided tape, refer to removal procedures for the side protector. <Ref. to EI-43, REMOVAL, Side Protector.>

Side Sill Spoiler

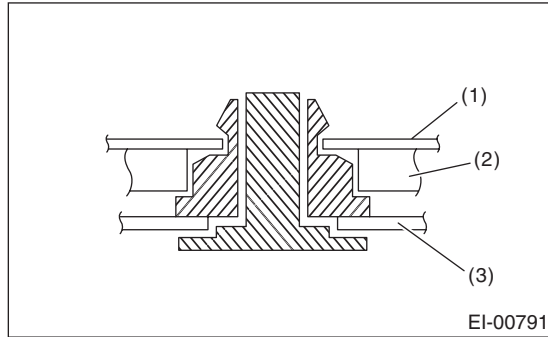
EXTERIOR/INTERIOR TRIM

B: INSTALLATION

Install in the reverse order of removal.

NOTE:

For the rearmost clip securing the side sill spoiler, install through the end cover.



- (1) Vehicle body
- (2) End cover
- (3) Side sill spoiler