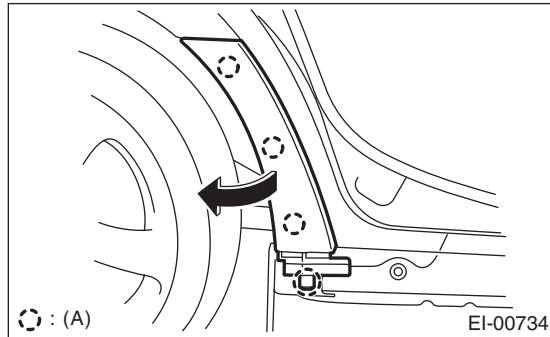


15.Rear Quarter Protector

A: REMOVAL

- 1) Remove the side sill spoilers. <Ref. to EI-41, REMOVAL, Side Sill Spoiler.>
- 2) Remove clips (A) by rotating it rearward using the fender arch as a fulcrum, and then remove the rear quarter protector.



B: INSTALLATION

Install in the reverse order of removal.