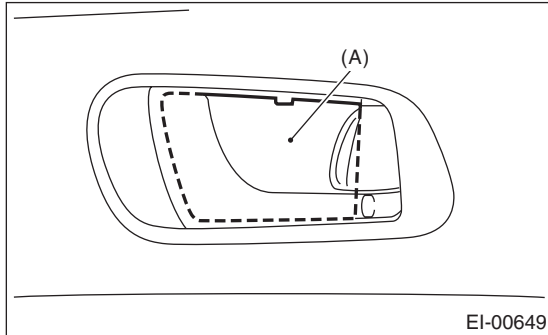


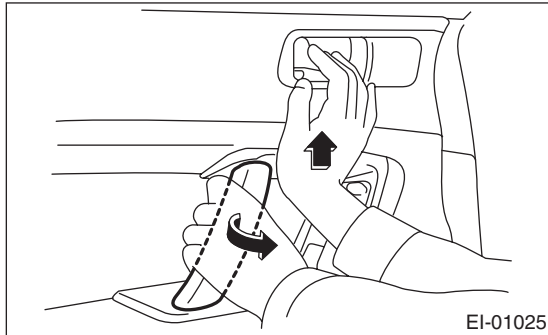
17. Door Trim

A: REMOVAL

- 1) Disconnect the ground cable from battery.
- 2) Remove the cover (A) at the inner remote area.



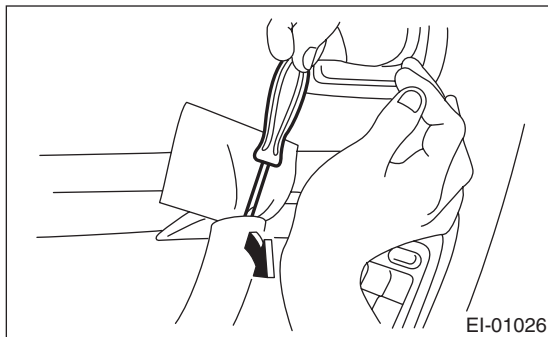
- 3) Push the root of hand grip upward, and remove the hand grip cover by twisting it towards the front of the vehicle.



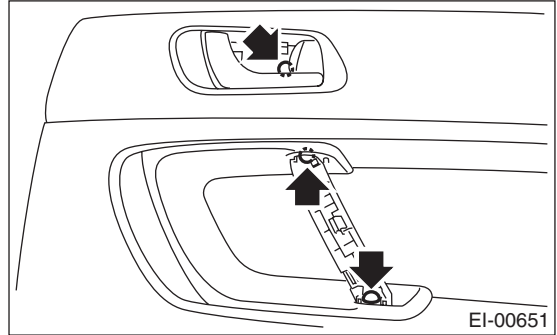
LH side: Counterclockwise
RH side: Clockwise

NOTE:

If it does not come off using the procedures above, apply protective tape to the tip of a flat tip screwdriver and the door trim, and pry out the upper side of the hand grip cover.

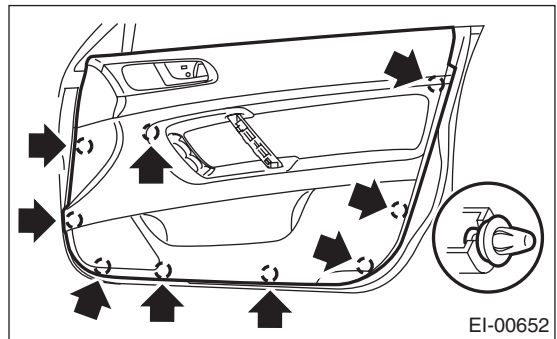


- 4) Loosen the screws.

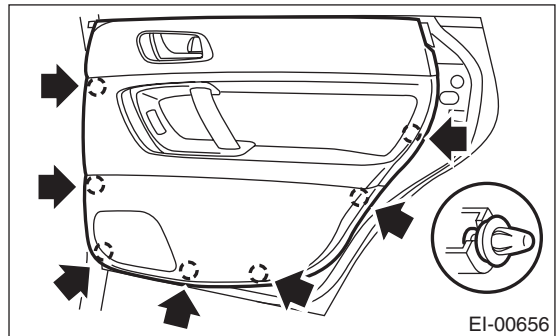


- 5) Remove the clips, and disconnect all connectors and wire cables to remove the door trim.

- Front door trim



- Rear door trim



B: INSTALLATION

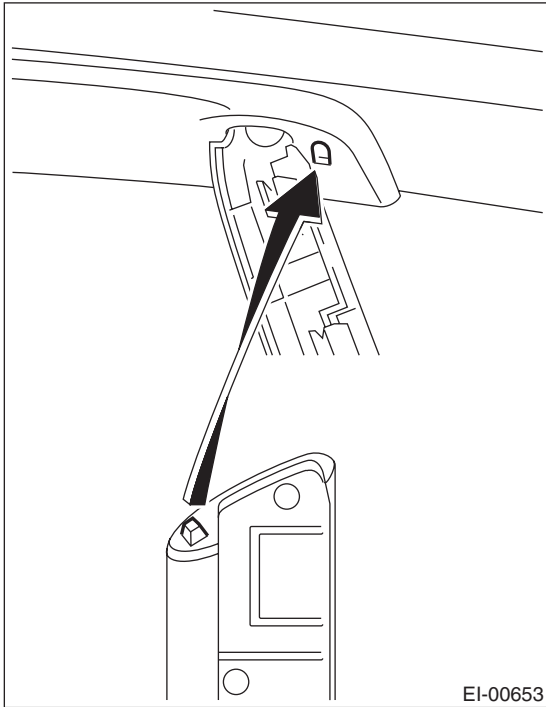
Install in the reverse order of removal.

NOTE:

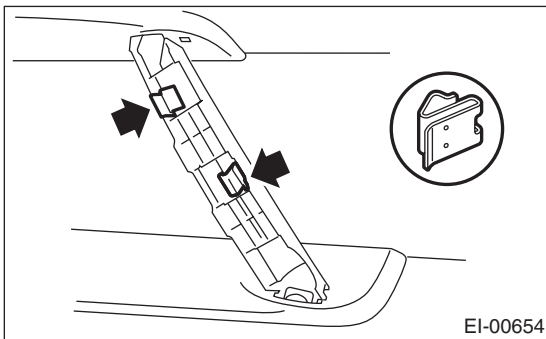
Be careful not to install the hand grip cover and plate clip of the hand grip in the wrong direction.

- Hand grip cover (front and rear door)
The side with the protrusion is the upper side.

- The bottom clip of the rear door faces the opposite direction



- Bottom clip of the front door faces the opposite direction



- Lower side of the hand grip cover for the front door has a claw.

