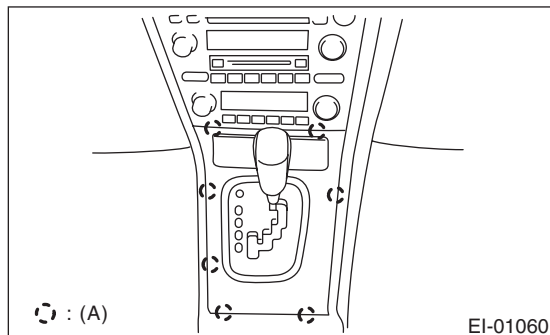


19. Glove Box

A: REMOVAL

- 1) Disconnect the ground cable from battery.
- 2) Remove the console box. <Ref. to EI-52, REMOVAL, Console Box.>
- 3) Remove the console front panel.

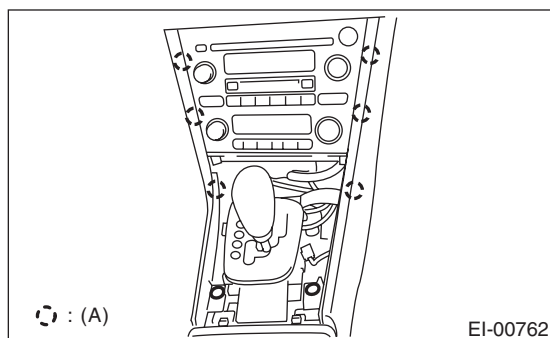


(A) Hook

NOTE:

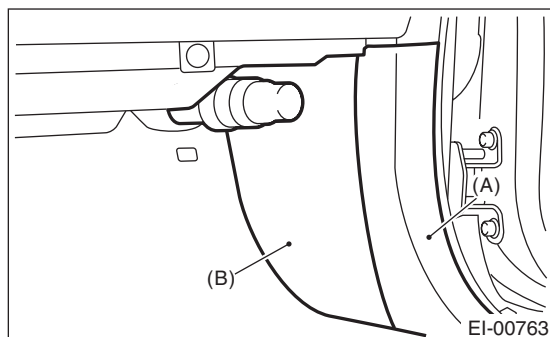
For the AT model, remove the ring indicator.
For the MT model, remove the shift knob.

- 4) Remove the console side garnish.

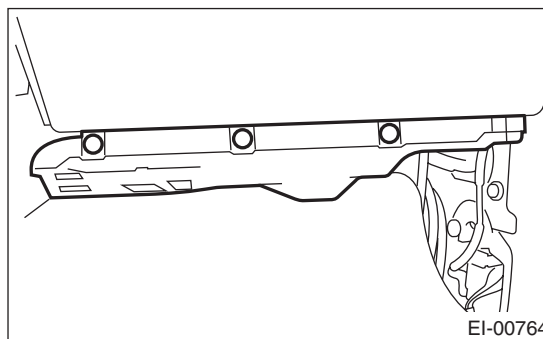


(A) Hook

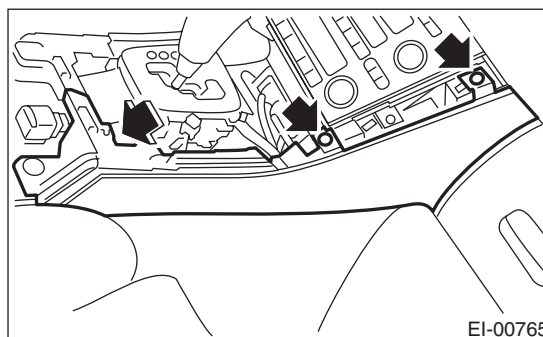
- 5) Remove the front inside scuff plate (A) and front pillar lower trim (B). <Ref. to EI-59, REMOVAL, Lower Inner Trim.>



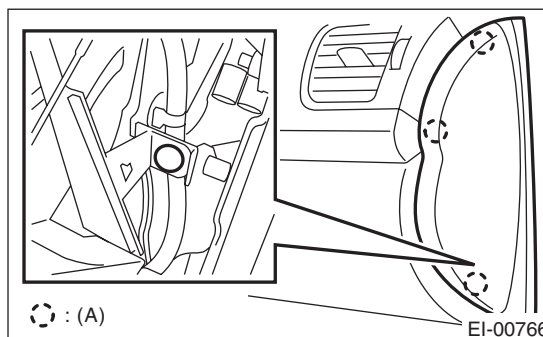
- 6) Remove the clips, and remove the glove box lower cover.



- 7) Remove the console side panel.

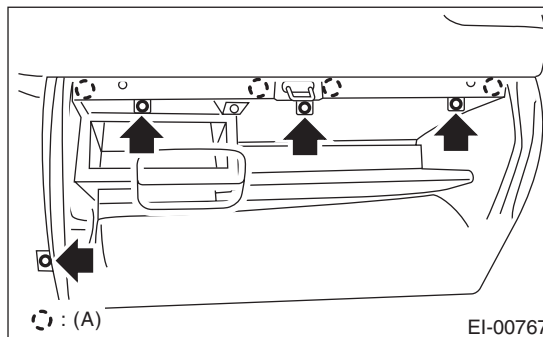


- 8) Remove the instrument panel side cover, and remove the clip.



(A) Clip

- 9) Remove the screw, and remove the glove box.



(A) Clip

B: INSTALLATION

Install in the reverse order of removal.