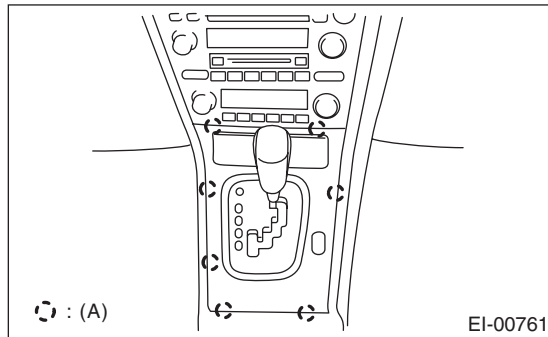


## 21.Center Console

### A: REMOVAL

- 1) Disconnect the ground cable from battery.
- 2) Remove the console box. <Ref. to EI-52, REMOVAL, Console Box.>
- 3) Remove the console front panel.

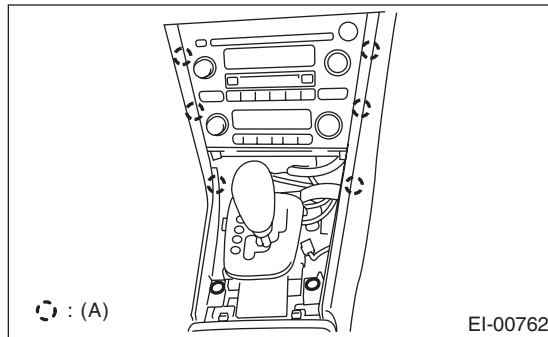


(A) Hook

#### NOTE:

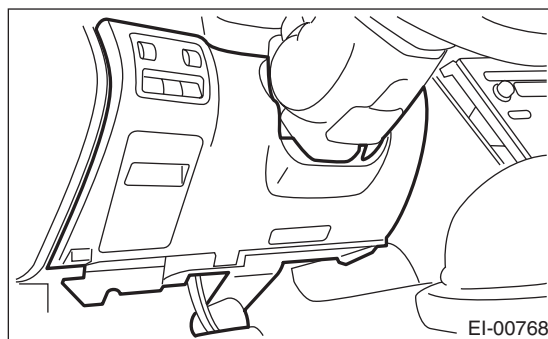
For the AT model, remove the ring indicator.  
For the MT model, remove the shift knob.

- 4) Loosen the screw, remove the hook, and remove the console side garnish.

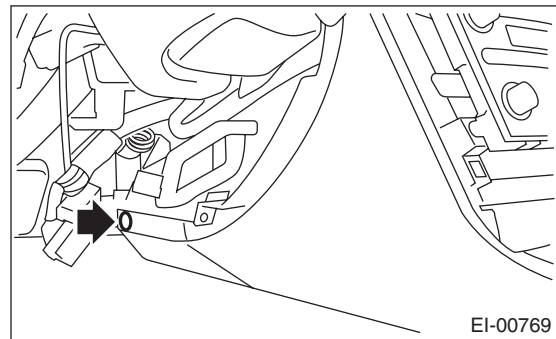


(A) Hook

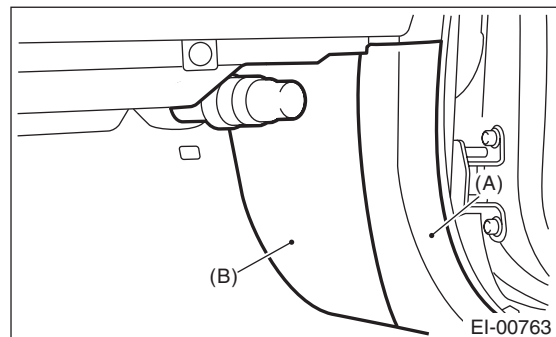
- 5) Remove the instrument panel lower cover. <Ref. to EI-50, REMOVAL, Instrument Panel Lower Cover.>



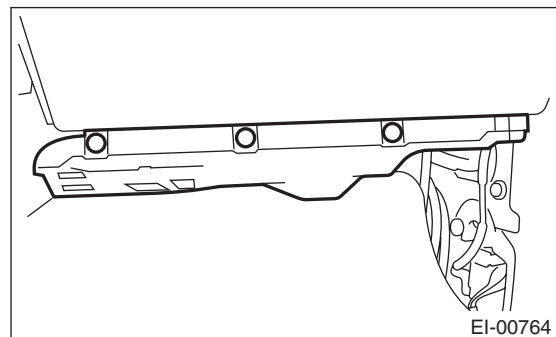
- 6) Remove the clip at the tip of the console side panel.



- 7) Remove the passenger's side front inside scuff plate (A) and front pillar lower trim (B). <Ref. to EI-59, REMOVAL, Lower Inner Trim.>



- 8) Remove the clips, and remove the glove box lower cover.

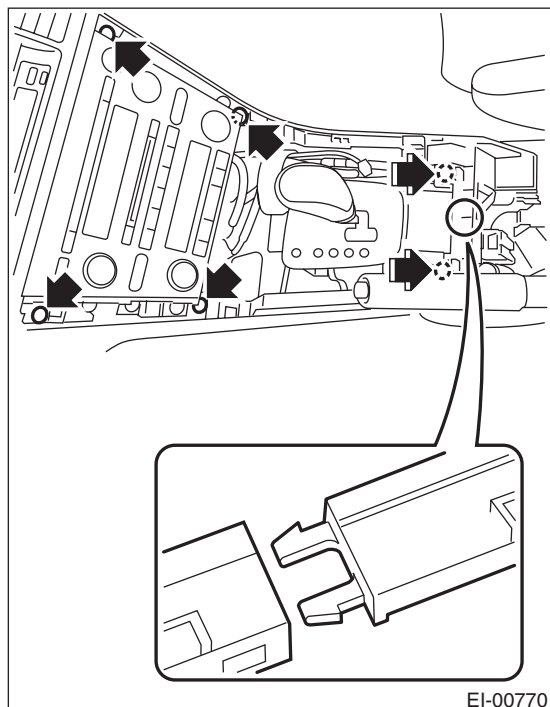


## Center Console

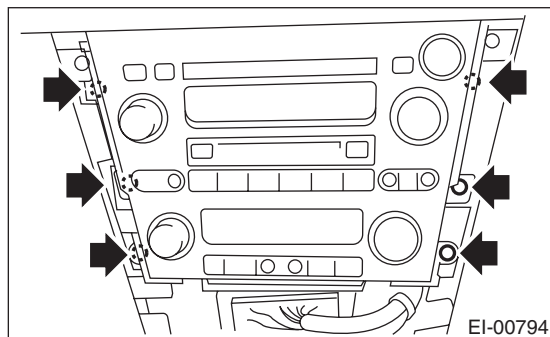
### EXTERIOR/INTERIOR TRIM

---

9) Remove the screws, and remove the console side panel.



10) Loosen screws to pull out the audio unit assembly, and disconnect the connectors to remove.



#### NOTE:

The audio unit assembly can be removed without removing the console side panel.

### **B: INSTALLATION**

Install in the reverse order of removal.