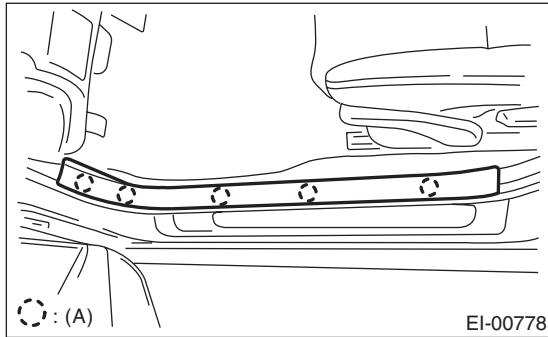


23. Lower Inner Trim

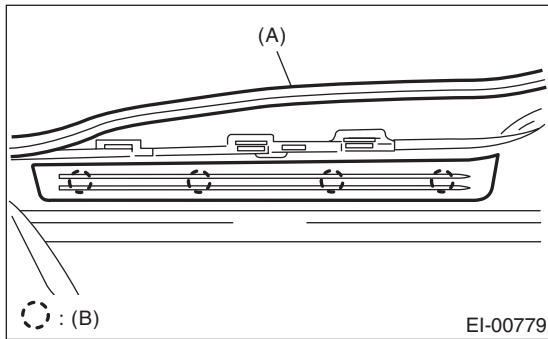
A: REMOVAL

1) Remove the hook, and remove the inside scuff plate.



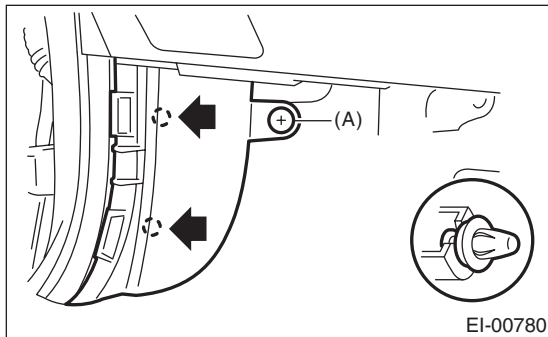
(A) Hook

2) Remove the door molding (A), and remove the outside scuff plate.



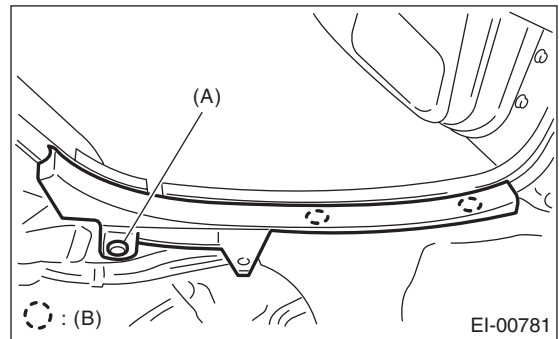
(B) Clip

3) Remove clip (A), and remove the front pillar lower trim.



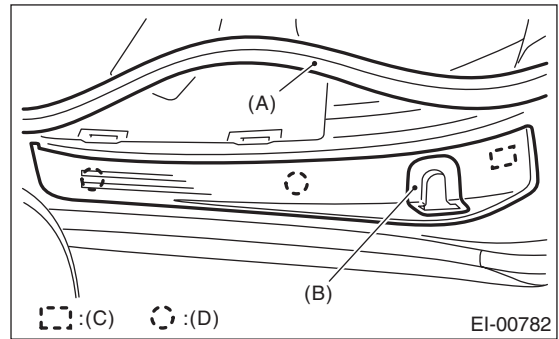
4) Remove the rear seat cushion. <Ref. to SE-17, REMOVAL, Rear Seat.>

5) Remove clip (A), and remove the inside scuff plate.



(B) Hook

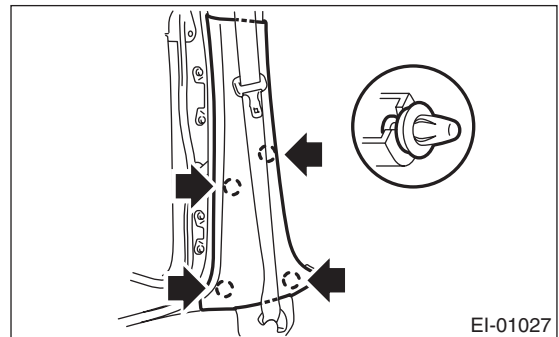
6) Remove door molding (A) and door catcher cover (B), then remove the outside scuff plate.



(C) Hook with plate clip

(D) Clip

7) Remove the clips of the center pillar lower trim.



B: INSTALLATION

Install in the reverse order of removal.