

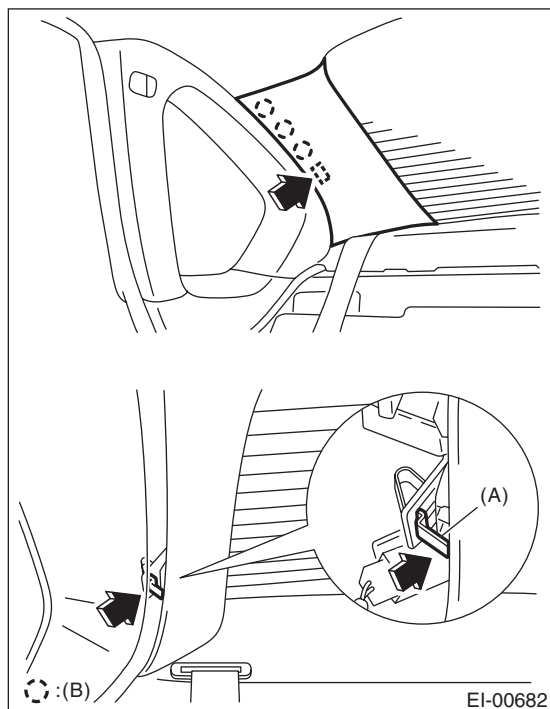
25.Rear Quarter Trim

A: REMOVAL

1. SEDAN MODEL

1) Remove the rear seat. <Ref. to SE-17, (SEDAN MODEL), REMOVAL, Rear Seat.>

2) Turn over the trim, and remove the quarter trim rear by pressing the claw (A) of the metal clip using a flat screwdriver, etc.

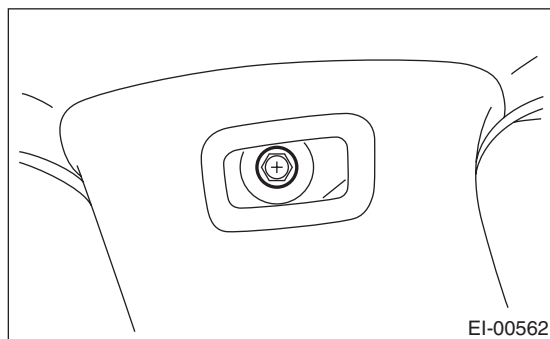


(B) Hook

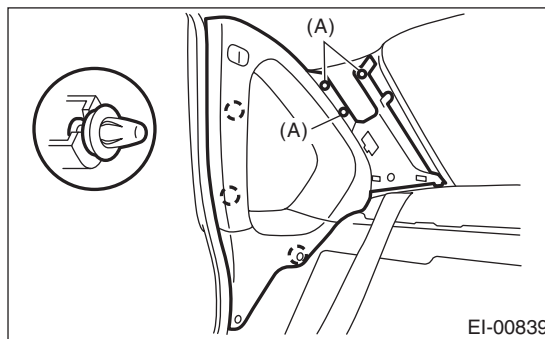
CAUTION:

When the metal clip comes off or becomes damaged, replace both trim and metal clips with new parts.

3) Remove the cap on the upper side of the trim, and remove the bolt inside.



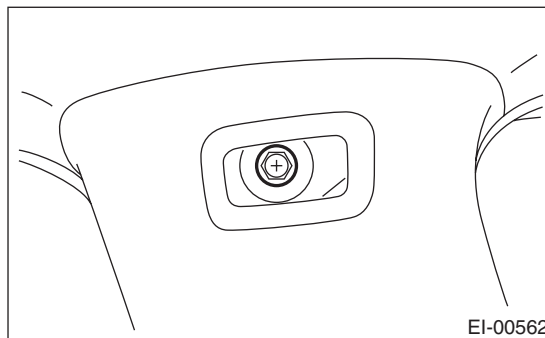
4) Remove the bolts (A), and remove the quarter trim (front).



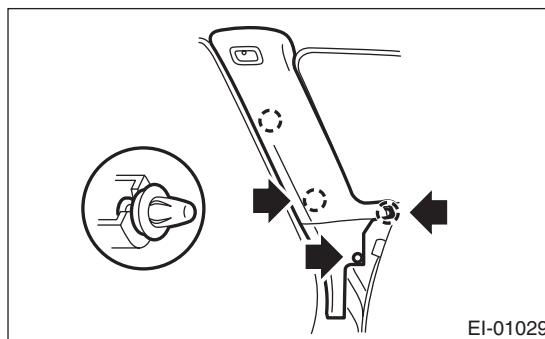
2. WAGON MODEL

1) Remove the rear seat cushion and backrest shoulder. <Ref. to SE-17, (WAGON MODEL), REMOVAL, Rear Seat.>

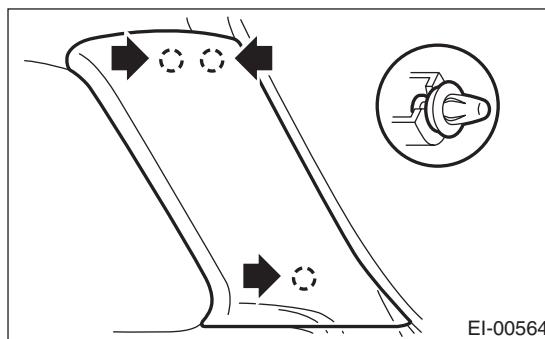
2) Remove the cap on the upper side of the pillar trim, and remove the bolt inside.



3) Remove the clip, and remove the quarter front pillar trim.



4) Remove the quarter rear pillar trim.

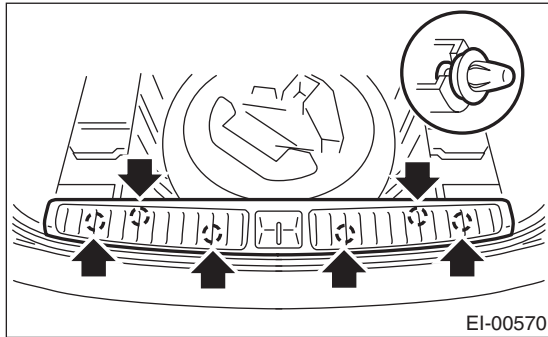


Rear Quarter Trim

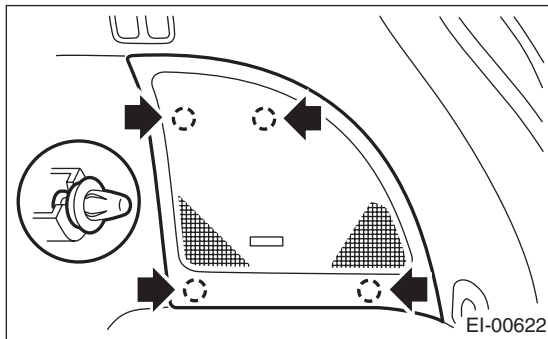
EXTERIOR/INTERIOR TRIM

5) Remove the luggage floor box. <Ref. to EI-71, REMOVAL, Luggage Floor Box.>

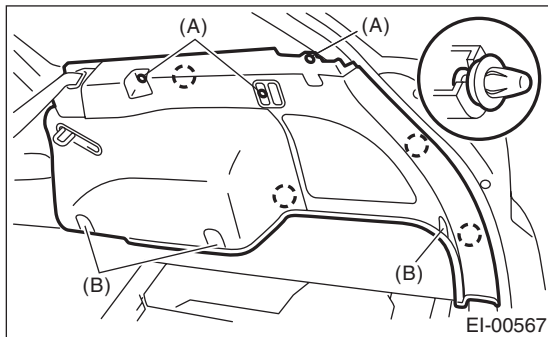
6) Remove the luggage floor end cover.



7) Remove the woofer cover. (Model with woofer)



8) Remove the screws (A) and bolts (B), and remove the quarter lower trim.



NOTE:

- Remove the screw cover on the tonneau cover installation area.
- Pull out the shopping bag hook, and remove the screw on the far end.

B: INSTALLATION

Install in the reverse order of removal.