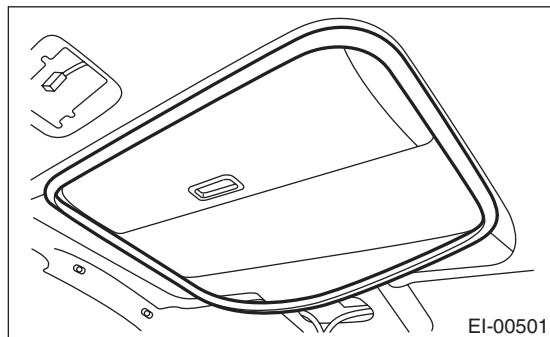


28. Roof Trim

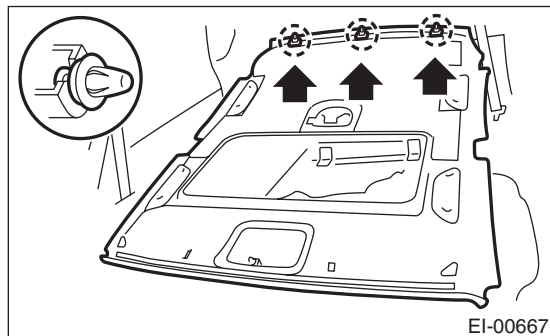
A: REMOVAL

1. SEDAN MODEL

- 1) Disconnect the ground cable from battery.
- 2) Remove the front seats. <Ref. to SE-9, REMOVAL, Front Seat.>
- 3) Remove the rear seat. <Ref. to SE-17, REMOVAL, Rear Seat.>
- 4) Remove the console box. <Ref. to EI-52, REMOVAL, Console Box.>
- 5) Remove the center console. <Ref. to EI-53, REMOVAL, Center Console.>
- 6) Remove the select lever. (AT model)
<Ref. to CS-19, REMOVAL, Select Lever.>
- 7) Remove the spot map light. <Ref. to LI-30, REMOVAL, Spot Map Light.>
- 8) Remove the room light. <Ref. to LI-31, REMOVAL, Room Light.>
- 9) Remove the sun visor. <Ref. to EI-63, REMOVAL, Sun Visor.>
- 10) Remove the assist grip. <Ref. to EI-64, REMOVAL, Assist Grip.>
- 11) Remove the upper inner trim. <Ref. to EI-60, REMOVAL, Upper Inner Trim.>
- 12) Remove the rear quarter trim. <Ref. to EI-61, SEDAN MODEL, REMOVAL, Rear Quarter Trim.>
- 13) Remove the sunroof opening trim. (Models with sunroof)



- 14) Remove the clips and each harness, and remove the roof trim.
- 15) Pull out the roof trim from the vehicle.



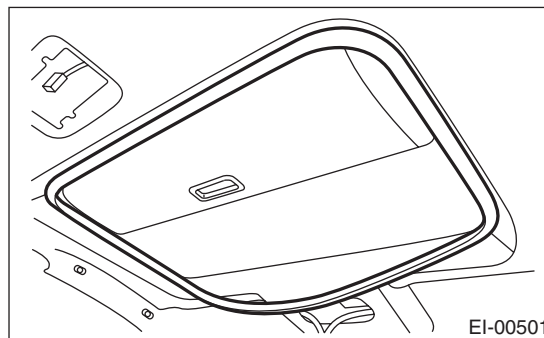
2. WAGON MODEL

- 1) Disconnect the ground cable from battery.
- 2) Remove the spot map light. <Ref. to LI-30, REMOVAL, Spot Map Light.>
- 3) Remove the room light. <Ref. to LI-31, REMOVAL, Room Light.>
- 4) Remove the luggage room light. <Ref. to LI-32, REMOVAL, Luggage Room Light.>
- 5) Remove the sun visor. <Ref. to EI-63, REMOVAL, Sun Visor.>
- 6) Remove the assist grip. <Ref. to EI-64, REMOVAL, Assist Grip.>
- 7) Remove the upper inner trim. <Ref. to EI-60, REMOVAL, Upper Inner Trim.>
- 8) Remove the rear quarter trim. <Ref. to EI-61, WAGON MODEL, REMOVAL, Rear Quarter Trim.>

CAUTION:

Do not remove the roof end trim with excessive force. Otherwise the roof trim may become damaged. Roof trim and roof end trim are fastened by rivets.

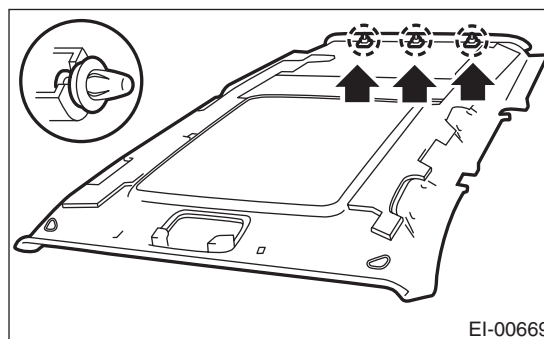
- 9) Remove the sunroof opening trim. (Models with sunroof)



- 10) Remove the clips and each harness, pull out the rear center seat belt, and remove the roof trim.

CAUTION:

Do not remove the roof end trim with excessive force. Otherwise the roof trim may become damaged.



B: INSTALLATION

Install in the reverse order of removal.