

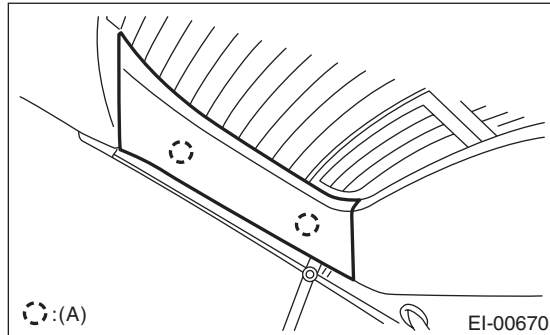
# Rear Gate Trim

EXTERIOR/INTERIOR TRIM

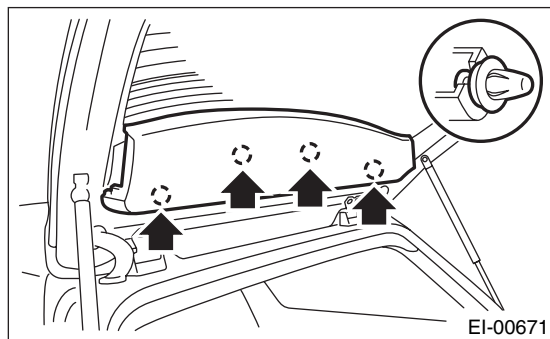
## 29.Rear Gate Trim

### A: REMOVAL

1) Remove clips (A), and remove the rear gate pillar trim.

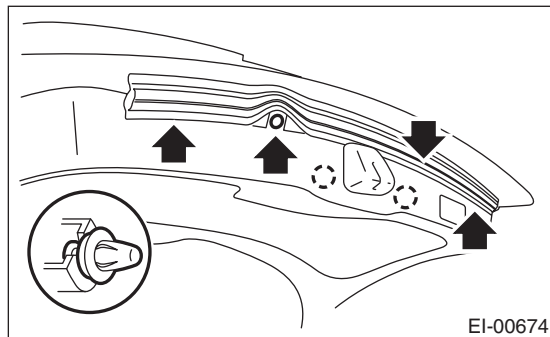


2) Remove the clips, and remove the rear gate upper trim.

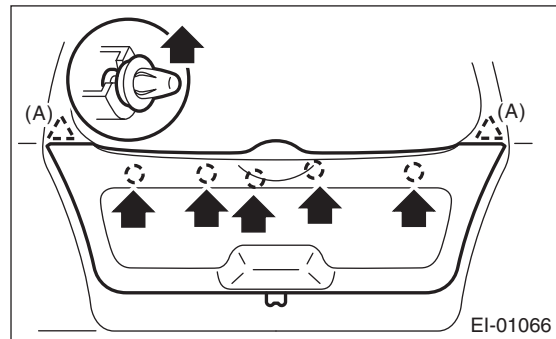


3) Remove the cover in the inner handle, and loosen the inside screw.

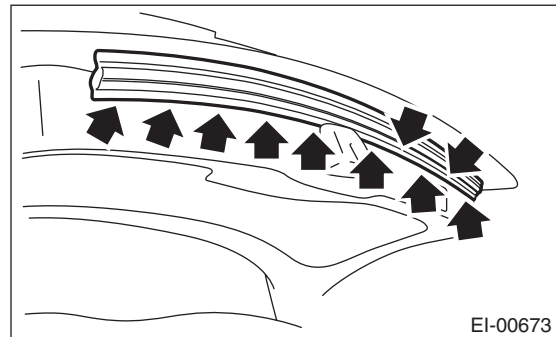
4) Turn over the weather strip, and remove the clips.



5) Remove the clips (A), and remove the rear gate lower trim.

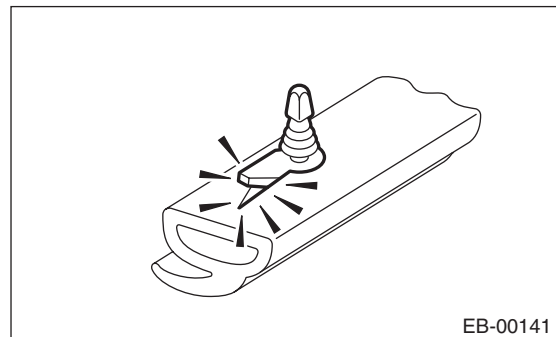


6) Remove the rear gate weather strip.



### NOTE:

If the weather strip clip is removed with excessive force, the weather strip may be damaged. Be sure to use a clip remover to remove.



### B: INSTALLATION

Install in the reverse order of removal.