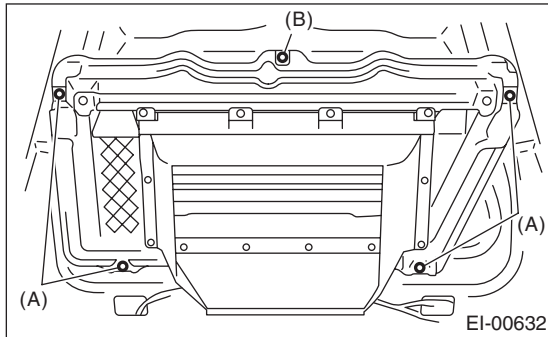


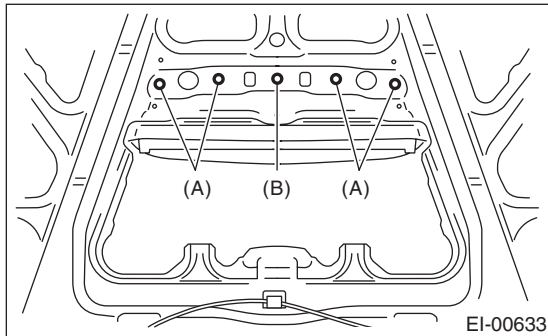
3. Front Hood Grille

A: REMOVAL

- 1) Open the front hood.
- 2) Remove the front hood insulator. <Ref. to EB-13, FRONT HOOD INSULATOR, REMOVAL, Front Hood.>
- 3) Remove screws (A) and clip (B), and remove the front hood duct.

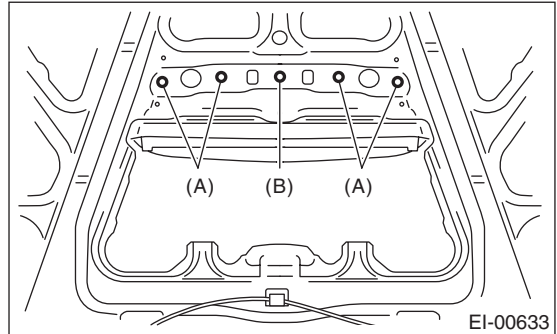


- 4) Loosen the nuts (A), remove the clip (B), and then remove the front hood grille.



B: INSTALLATION

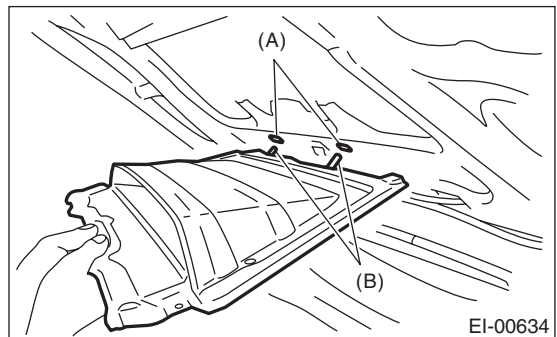
- 1) Fit the clip (B) of the front hood grille, and install the front hood grille using nuts (A).



Tightening torque:

4.5 N·m (0.46 kgf·m, 3.32 ft·lb)

- 2) Insert the hooks (B) of the front hood duct into holes (A) of the front hood.



- 3) Install the front hood duct with screws (A) and clip (B).

