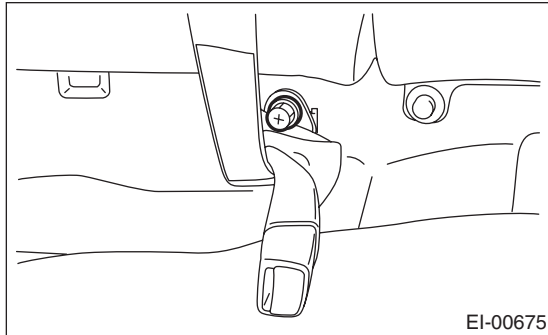


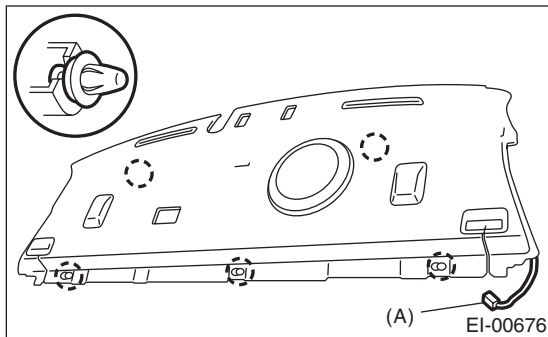
30.Rear Shelf Trim

A: REMOVAL

- 1) Disconnect the ground cable from battery.
- 2) Remove the rear quarter trim. <Ref. to EI-61, SEDAN MODEL, REMOVAL, Rear Quarter Trim.>
- 3) Remove the high-mounted stop light. <Ref. to LI-29, REMOVAL, High-mounted Stop Light.>
- 4) Remove the rear seat cushion. <Ref. to SE-17, (WAGON MODEL), REMOVAL, Rear Seat.>
- 5) Remove the lower anchor bolt of the rear center seat belt.



- 6) After disconnecting the high-mounted stop light harness connector (A) and removing the five clips, remove the rear shelf trim by pulling it forward.

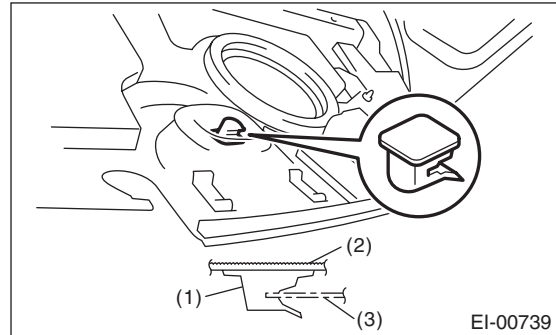


B: INSTALLATION

Install in the reverse order of removal.

NOTE:

Securely insert the vehicle body panel into the hook of the rear shelf trim center, and install the rear shelf trim.



- (1) Hook
- (2) Rear Shelf Trim
- (3) Vehicle body panel