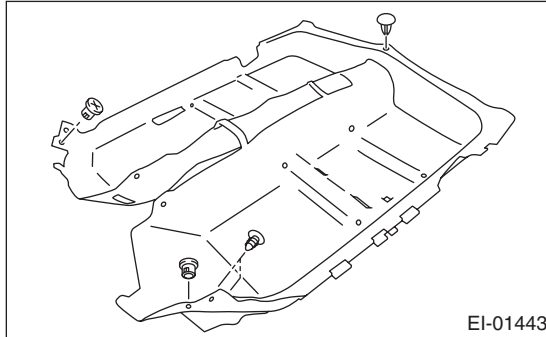


32.Floor Mat

A: REMOVAL

- 1) Remove the front seats. <Ref. to SE-9, REMOVAL, Front Seat.>
- 2) Remove the rear seat cushion. <Ref. to SE-17, REMOVAL, Rear Seat.>
- 3) Remove the console box. <Ref. to EI-52, Console Box.>
- 4) Remove the console side panel. <Ref. to EI-53, REMOVAL, Center Console.>
- 5) Remove the lower inner trim. <Ref. to EI-59, REMOVAL, Lower Inner Trim.>
- 6) Remove the clips from the floor mat.
- 7) Remove the mat hook on both sides.
- 8) Remove the mat from toe board area.
- 9) Remove the mat from rear heater duct.
- 10) Roll the mat, and then take it out of opened rear door.



B: INSTALLATION

Install in the reverse order of removal.

NOTE:

- Secure the mat firmly with hook and clip.
- Insert the mat edge firmly into the groove of side sill cover.