

# Front Under Cover

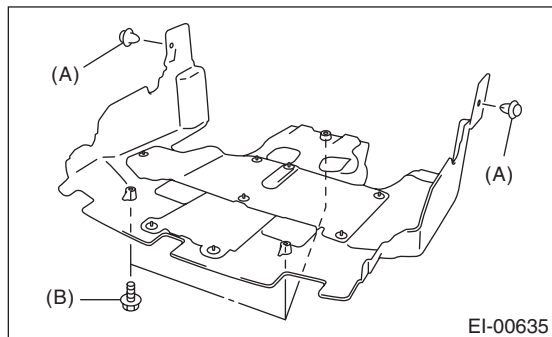
EXTERIOR/INTERIOR TRIM

## 4. Front Under Cover

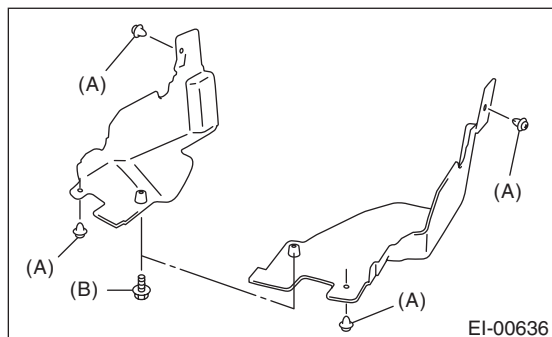
### A: REMOVAL

- 1) Lift-up the vehicle.
- 2) Remove clips (A) and bolts (B) in front fender, then remove the front under cover.

- Large type



- Small type



### B: INSTALLATION

Install in the reverse order of removal.

**Tightening torque:**

**14 N·m (1.42 kgf-m, 10.3 ft-lb)**