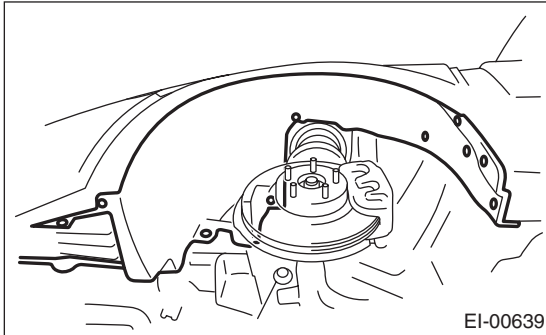


7. Mud Guard

A: REMOVAL

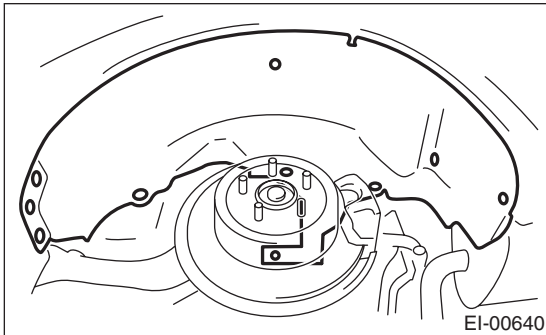
1. FRONT MUD GUARD

- 1) Jack-up the vehicle.
- 2) Remove the front wheels.
- 3) Loosen the screws and clips to remove mud guard.



2. REAR MUD GUARD

- 1) Jack-up the vehicle.
- 2) Remove the rear wheels.
- 3) Loosen the screws and clips to remove the mud guard.



B: INSTALLATION

Install in the reverse order of removal.