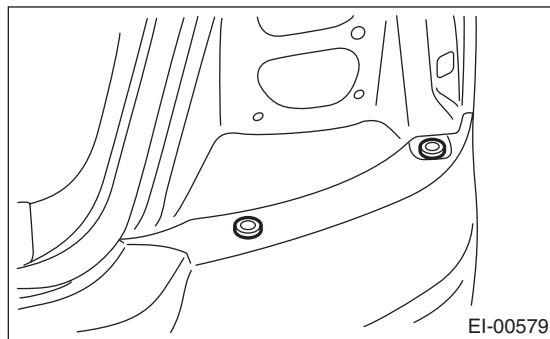


9. Rear Bumper

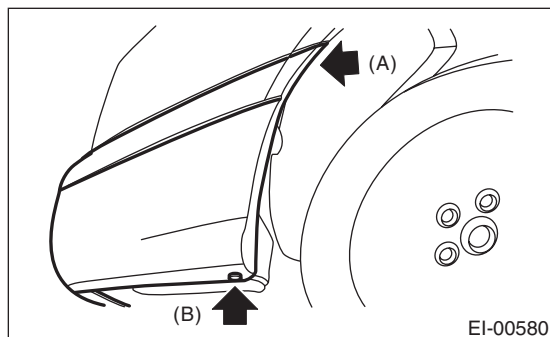
A: REMOVAL

1. REAR BUMPER FACE

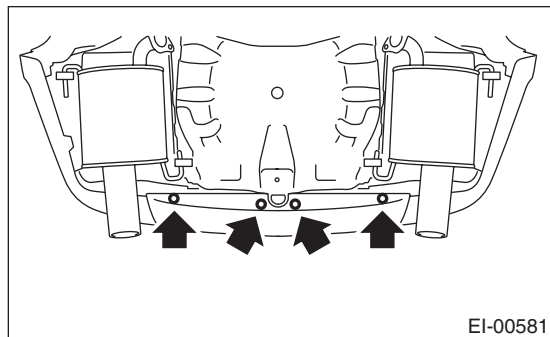
- 1) Disconnect the ground cable from battery.
- 2) Remove the rear combination light assembly.
<Ref. to LI-21, REMOVAL, Rear Combination Light Assembly.>
- 3) Remove the two clips.



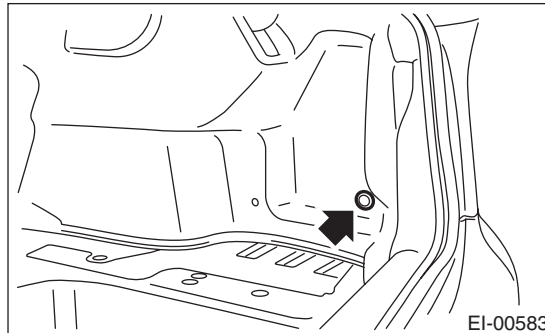
- 4) Turn over the mud guard, and remove the bolt (A) inside wheel house, and the clips (B) on the lower side of the bumper.



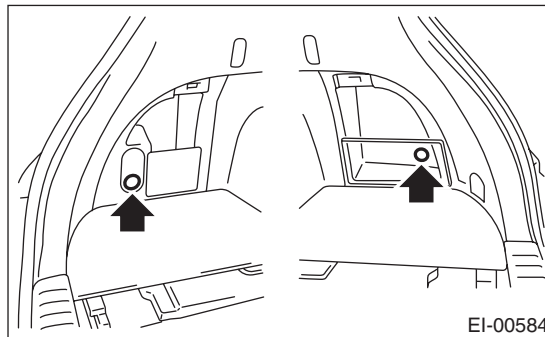
- 5) Remove the clips on the lower side of rear bumper.



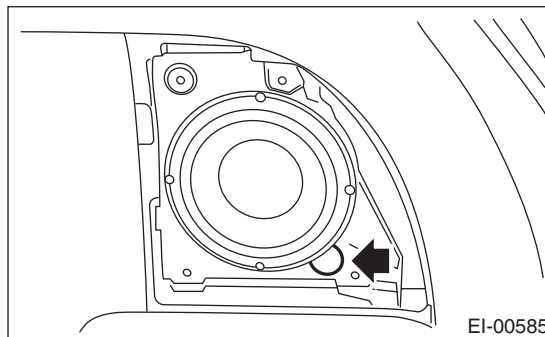
- 6) Remove the service hole cover, and remove the bolt.
 - Sedan model: trunk side trim



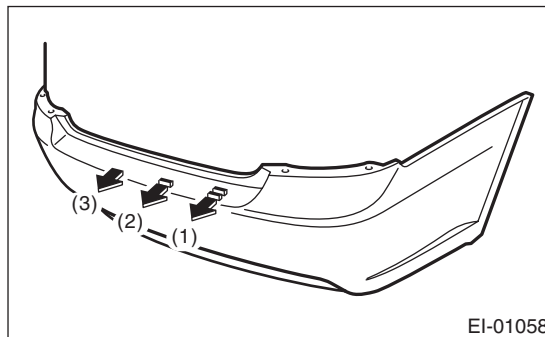
- Wagon model: rear quarter lower trim



- NOTE:**
For models with woofers, remove the woofer cover.



- 7) Remove the rear bumper from vehicle body.



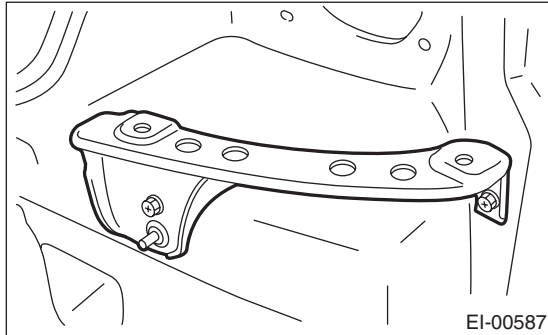
- NOTE:**
- Do not pull with a excessive force. Otherwise the bracket installation area may be damaged.
 - When removing the bumper face from bracket, it is easier to remove from the end in order.

Rear Bumper

EXTERIOR/INTERIOR TRIM

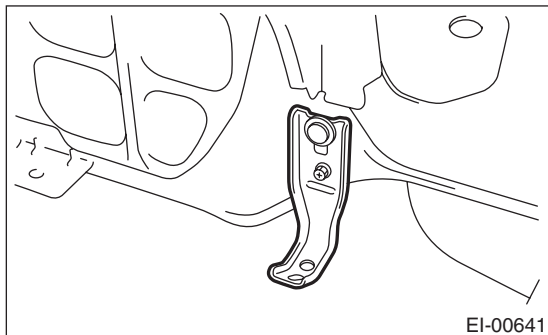
2. REAR BUMPER BRACKET

- 1) Remove the rear bumper face from vehicle body.
- 2) Remove the rear bumper bracket corner from the vehicle body. (both sides)

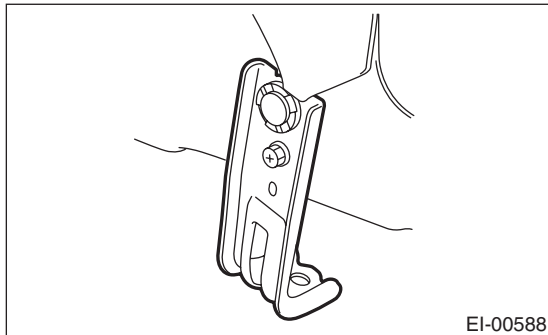


- 3) Remove the lower brackets from vehicle body.

- Sedan model: 2 locations



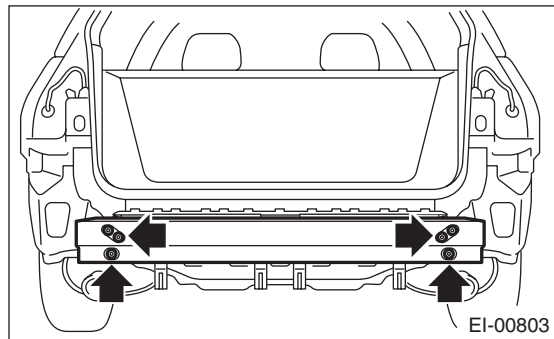
- Wagon model: 4 locations



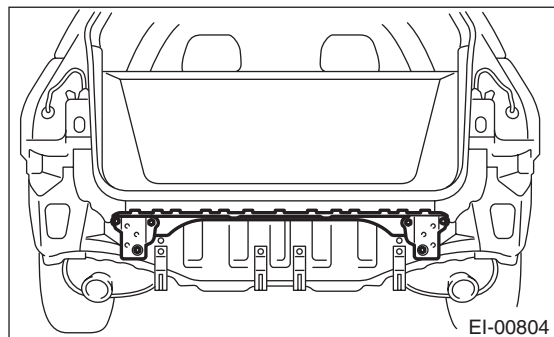
3. REAR BUMPER BEAM ASSEMBLY

- 1) Disconnect the ground cable from battery.
- 2) Remove the rear bumper face. <Ref. to EI-37, REAR BUMPER FACE, REMOVAL, Rear Bumper.>
- 3) Remove the energy absorber foam.

- 4) Remove the nuts, and remove the beam main reinforcement from the vehicle body.



- 5) Remove the nuts, and remove the bumper beam bracket and beam upper rear from the vehicle body.



B: INSTALLATION

1. REAR BUMPER FACE

- 1) Install the beam upper rear to the vehicle body.
- 2) Install the bumper face to the vehicle body.

NOTE:

- If the bumper face comes off easily from the beam upper rear, adjust the hook of the bracket side.
- 3) Install in the reverse order of removal.

Tightening torque:

Refer to "COMPONENT" of "General Description".

<Ref. to EI-6, REAR BUMPER (SEDAN MODEL), COMPONENT, General Description.>

2. REAR BUMPER BRACKET

Install in the reverse order of removal.

3. REAR BUMPER BEAM ASSEMBLY

Install in the reverse order of removal.

C: REPAIR

Refer to front bumper repair. <Ref. to EI-30, REMOVAL, Front Bumper.>