

17.Rear Window Defogger

A: INSPECTION

1. CHECK WITH SUBARU SELECT MONITOR

CAUTION:

Check that the rear window defogger timer is in initial setting or customize setting before performing inspection.

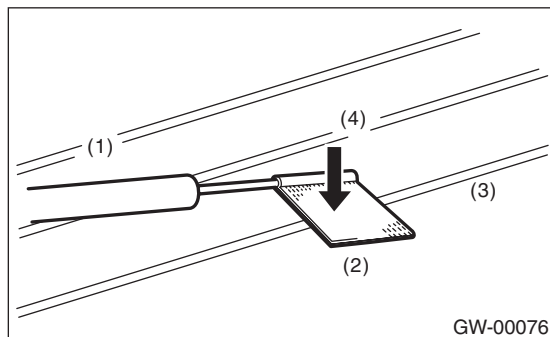
Step	Check	Yes	No
1 CHECK INPUT SIGNAL TO BODY INTEGRATED UNIT. Check the input signal when the rear window defogger switch is operated using Subaru Select Monitor. 1) Connect the Subaru Select Monitor to the data link connector. 2) Turn the ignition switch to ON. 3) Select {Integ. unit} from the «main menu». 4) Select the {Current Data Display & Save}. 5) Check the input signal when the rear window defogger switch is set to ON.	After rear defogger switch is set to ON, does it turn to OFF in 15 minutes? Or does it repeat 15 minutes operation and 2 minutes stop?	END.	Replace the body integrated unit. <Ref. to SL-55, REMOVAL, Body Integrated Unit.>

2. HEAT WIRE INSPECTION

CAUTION:

Use a dry and soft cloth when wiping dirt off the glass. Move the cloth along the heat wire to avoid damaging it.

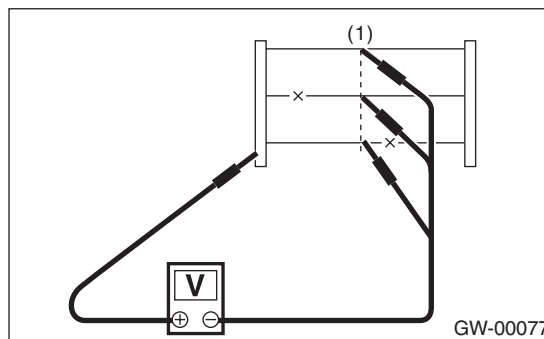
- 1) Turn the ignition switch to ON.
- 2) Turn the defogger switch to ON.
- 3) Wrap the tips of tester probe with aluminum foil to avoid damage to heat wire.



- (1) Tester probe
- (2) Aluminum foil
- (3) Heat wire
- (4) Press

- 4) Measure the voltage at heat wire center with DC voltmeter.

Standard voltage:
Approx. 6 V



- (1) Center of heat wire

Voltage	Criteria
Approx. 6 V	Normal operation
Approx. 12 V or 0 V	Open

NOTE:

- If the measured value is 12 volts, heat wire is open between heat wire center and positive (+) terminal of tester probe.
- If it is 0 V, the circuit is open between heat wire center and ground.

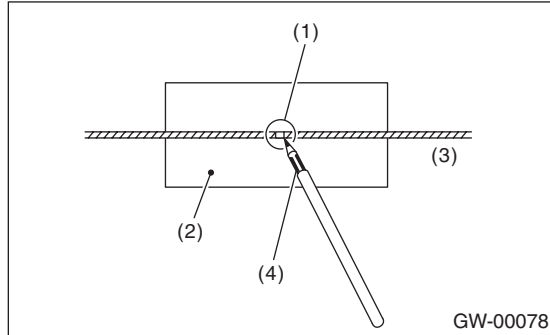
5) Connect the tester probe of positive lead of voltmeter to positive terminal of heat wire and move tester probe of negative lead along the heat wire up to the negative terminal end. If voltage changes from zero to several volts during movement of tester probe, heat wire is open at the voltage change point.

Rear Window Defogger

GLASS/WINDOWS/MIRRORS

B: REPAIR

- 1) Clean the broken portion with alcohol or white gasoline.
- 2) Mask both side of wire with thin film.
- 3) Apply the conductive silver composition (DUPONT No. 4817) to the broken portion.



- (1) Broken portion
- (2) Thin film
- (3) Broken wire
- (4) Conductive silver composition (DUPONT No. 4817)

- 4) After repair, check the wire.