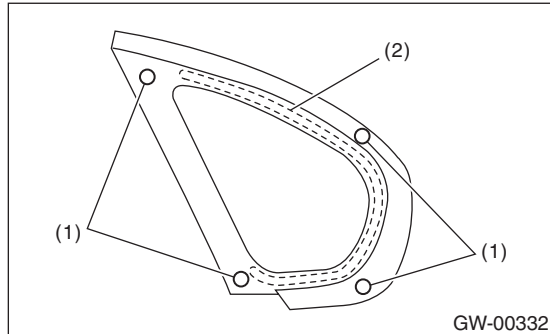


18. Rear Quarter Glass

A: REMOVAL

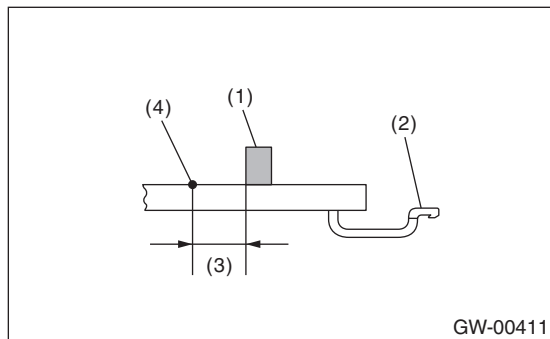
Remove the glass in the same procedure as for windshield glass. <Ref. to GW-27, REMOVAL, Windshield Glass.>



- (1) Locating pin
- (2) Dam rubber

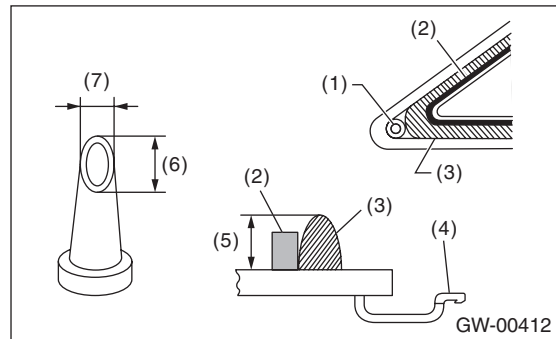
B: INSTALLATION

1) Install the dam rubber.



- (1) Dam rubber
- (2) Molding
- (3) 10.5 mm (0.413 in) (constant)
- (4) Ceramic terminal

2) Cut out the nozzle head and apply adhesive to the glass end surface as shown.



- (1) Locating pin
- (2) Dam rubber
- (3) Adhesive
- (4) Molding
- (5) 8 — 10 mm (0.31 — 0.39 in)
- (6) 15 mm (0.59 in)
- (7) 10 mm (0.39 in)

3) Install the glass in the same procedure as for windshield glass. <Ref. to GW-28, INSTALLATION, Windshield Glass.>

4) After completion of all work, allow the vehicle to stand for about 24 hours.

NOTE:

- When door is opened/closed after glass is bonded, always lower the door glass first, and then open/close it carefully.
- Move the vehicle slowly.
- For minimum drying time and vehicle standing time before driving after bonding, follow instructions or instruction manual from the adhesive manufacturer.

5) After curing of adhesive, pour the water on external surface of vehicle to check that there are no water leaks.

NOTE:

When a vehicle is returned to the user, tell him or her that the vehicle should not be subjected to heavy impact for at least three days.